

ENG

Translation of the
original user guide



LAWN MOWER RASION 2 EASY

USER GUIDE

59_141654-A
04/2019

READ THE USER GUIDE CAREFULLY BEFORE USE

   #LOVEELECTRIC

PELEENC

TABLE OF CONTENTS

INTRODUCTION	5
SAFETY	5
GENERAL SAFETY WARNINGS	5
<i>TRAINING</i>	<i>6</i>
<i>PREPARATION</i>	<i>6</i>
<i>OPERATION</i>	<i>6</i>
<i>MAINTENANCE AND STORAGE</i>	<i>7</i>
SAFETY MEASURES ASSOCIATED WITH CHARGER AND BATTERY USE	7
PERSONAL PROTECTION EQUIPMENT	7
SAFETY SIGNAGE	8
DESCRIPTION AND FEATURES	9
TECHNICAL FEATURES	10
NOISE LEVELS	10
COMMISSIONING	11
UNFOLD THE MOWER INTO THE WORKING POSITION	11
COLLECTING BIN CAPACITY	12
INSTALLATION OF A BATTERY TRAY	13
750/1200/1500 BATTERY: INSTALLATION AND CONNECTION	14
ULIB 400/700/1100 BATTERY (RED CONNECTOR): INSTALLATION AND CONNECTION	15
ALPHA 520 BATTERY: INSTALLATION AND CONNECTION	16
USAGE	17
TURN ON / OFF THE BATTERY	18
SETTINGS	19
<i>ADJUSTING THE TRAVEL SPEED</i>	<i>19</i>
<i>ADJUST THE ROTATION OF THE CUTTING BLADES</i>	<i>19</i>
<i>ADJUST THE CUTTING HEIGHT</i>	<i>21</i>
CONTROLS	22
<i>DRIVING FORWARD</i>	<i>22</i>
<i>DRIVING IN REVERSE</i>	<i>22</i>
<i>DRIVING TO ONE SIDE</i>	<i>23</i>
<i>USE THE BOOST FUNCTION</i>	<i>23</i>
<i>ENABLE THE ROTATION OF THE CUTTING BLADES</i>	<i>23</i>
<i>STOP THE ROTATION OF THE CUTTING BLADES</i>	<i>24</i>
<i>USE THE BLADES BOOST FUNCTION</i>	<i>24</i>
<i>LOCK / UNLOCK THE FRONT WHEELS DIRECTION</i>	<i>25</i>
<i>PARKING BRAKE/TRANSPORT</i>	<i>25</i>
IMMOBILIZER SYSTEM	26
<i>SECURITY KEY</i>	<i>26</i>
<i>INCLINOMETER</i>	<i>26</i>
ADVICE FOR USE	27

MOWING METHOD	28
CUTTING HEIGHT	28
SLOPES	29
DAMP GROUND	29
MOWING WITH GRASS COLLECTION	29
MOWING WITHOUT GRASS COLLECTION	30
MOWING WASTE	30
MAINTENANCE	32
MAINTENANCE FREQUENCY	32
USEFUL ADVICE FOR RISK FREE MAINTENANCE	32
<i>CUTTING BLADES</i>	33
<i>CUTTER HOUSING</i>	34
<i>WHEELS</i>	34
<i>COLLECTING BIN</i>	34
INCIDENTS AND TROUBLESHOOTING	35
STORAGE AND TRANSPORT	38
FOLD THE MOWER INTO THE TRANSPORT POSITION	38
STORAGE	38
OFF-SEASON STORAGE	38
ACCESSORIES AND CONSUMABLES	39
GENERAL WARRANTIES	40
STATUTORY WARRANTY	40
<i>LATENT DEFECTS WARRANTY</i>	40
<i>LEGAL WARRANTY OF CONFORMITY</i>	40
COMMERCIAL WARRANTY PELLENC	40
<i>CONTENT</i>	40
<i>DURATION OF THE WARRANTY</i>	41
<i>IMPLEMENTATION OF THE COMMERCIAL WARRANTY</i>	41
PAID AFTER-SALES SERVICE	41
<i>GENERAL INFORMATION</i>	41
<i>WEAR PARTS AND CONSUMABLES</i>	42
<i>SPARE PARTS</i>	42
"EC" DECLARATION OF CONFORMITY: RASION 2	43

1. INTRODUCTION

Dear Customer,

Thank you for purchasing your Lawn mower RASION 2 EASY. Correctly used and maintained, this tool will give a satisfactory performance for many years.

Warning



Your device contains numerous recoverable or recyclable materials. Return it to your dealer or, failing this, to an approved servicing centre to be treated.



Comply with the regulations in force in your country as concerns environmental protection associated with your activity.

Warning



It is imperative that you read through the ENTIRE user's manual before using or servicing the tool. Always comply with the instructions and illustrations in the manual.

All through this user guide you will find advisory notes and information entitled: REMARK, CAUTION / WARNING.

A REMARK provides additional information, clarifies a point or explains a step to be followed in detail.

WARNINGS or CAUTIONS call attention to a procedure which, if not performed or incorrectly performed, could cause physical damage and/or serious injury.

This advisory: G indicates that if the procedures or instructions are not complied with, any damage will not be covered by the warranty and the owner will be responsible for the repair costs.

Safety indications are also given on the tool; they remind you of the safety precautions to be taken. Identify and read these indications before using the tool. Immediately replace any indications that may become partially illegible or deteriorated.

Refer to the "SAFETY SIGNS" section, which shows where the signs are on the tool.

No part of this manual may be reproduced without the written permission of the company PELLENC. The illustrations provided in this manual are for information purposes and are in no way contractual. The PELLENC company reserves the right to make any modification or improvement to its products as deemed necessary without informing customers already in possession of a similar model. This manual forms an integral part of the tool and must accompany the tool if it changes hands.

2. SAFETY

2.1. GENERAL SAFETY WARNINGS

Warning



Read all the safety measures, instructions, illustrations and specifications provided with this electric power tool.^{1} Failure to comply with the following instructions risks causing electric shock, fire and/or serious injury.

Note

Retain all the safety measures and instructions for later reading.

This device is not intended for use by individuals (including children) with reduced physical, sensory or mental capabilities, nor by anyone lacking in experience or knowledge, except if they are supervised or have received prior instructions from a person responsible for their safety.

- The Lawn mower RASION 2 EASY is a professional tool whose use is reserved exclusively for cleaning of green areas (grass, dense grasses, woody weeds and brambles).
- The PELLENC SAS company accepts no responsibility for any damage caused by improper or unspecified use different from its original intention.
- The PELLENC SAS company accepts no responsibility for any damage caused by the use of non-original parts or accessories.

Operating rules to be respected for your safety when using lawn mowers with electric motors.

2.1.1. TRAINING

1. Read the instructions carefully. Become familiar with the controls and the proper use of equipment.
2. Never allow children or individuals who are unfamiliar with these instructions to use the machine. National regulations may restrict operator age.
3. Never operate the machine while other people, especially children, or pets, are nearby.
4. Keep in mind that the operator or user is responsible for any accidents caused by them and the dangers that other people or their property may run.

2.1.2. PREPARATION

1. During operation of the machine, always wear protective footwear and long trousers. Do not operate the machine barefoot or in sandals. Avoid wearing loose clothing or items with loose cords, or a tie.
2. Inspect the entire area where the machine will be used and remove all objects that might be thrown by it.
3. Before use, always visually inspect the machine to ensure that its cutting elements, bolts and the assembly in general, are not worn or damaged. Replace sets of worn or damaged components in order to maintain proper balance. Replace damaged or difficult to read labels.
4. Before use, check the power cable to detect signs of damage or aging. Immediately disconnect the battery if the cable becomes damaged during use. **Do not touch the cable before turning off the battery.** Do not use the machine if the cable is damaged or worn.

2.1.3. OPERATION

1. Only operate the machine in daylight or in good artificial light. Use safety equipment. Always wear eye protection.
2. Avoid operating the machine on wet grass. Remove any adjusting wrenches before switching the tool on.
3. Always place your feet firmly when on slopes.
4. Walk, never run.
5. Mow transversely on slopes, never up and down.
6. Be very careful when changing direction on slopes.
7. Do not mow excessively steep slopes.
8. Use the machine with extreme caution when using it in reverse or pulling it toward you.
9. Turn off the cutting elements if the machine has to be tilted for transport through non-grassy areas and when it has to be transported to or brought back from the location where it is to be used.
10. Never use the machine with defective guards or without safety devices in place, for example deflectors and/or grass catchers.
11. Start the engine, drive carefully according to instructions and with your feet at a safe distance from the cutting elements.

12. Do not put hands or feet near or under rotating parts. Never allow the ejection opening to get clogged.
13. Do not transport the machine while the power source is attached.
14. To stop the machine, turn off the battery and remove the battery connector. Make sure all moving parts have completely stopped.
15. Stop the machine and remove the power-off device. Make sure all moving parts have completely stopped
 - before leaving the machine,
 - before cleaning any jams, or emptying the chute,
 - before checking, cleaning or repairing the machine,
 - after hitting an object inspect the machine to detect any damage and carry out repairs before restarting and using it.

If the machine begins to vibrate abnormally, it is essential at once to:

- inspect the machine to see if it is damaged,
- check if any parts have worked loose, and tighten them if necessary,
- repair or replace any damaged parts.

2.1.4. MAINTENANCE AND STORAGE


1. Make sure all nuts, bolts and screws are kept tight to be sure that the equipment is in good operating condition.
2. Check for wear or damage to the grass catcher frequently.
3. Replace worn or damaged parts so that the machine remains safe.
4. Take all precautions necessary when it comes to multi-blade machines, since the rotation of one cutting element can cause all the others to rotate.
5. When adjusting the machine, avoid getting fingers caught between the moving blades and the fixed parts.
6. Always allow the machine to cool down before storing.
7. Pay attention during routine maintenance of the cutting elements, as they may still be moving, even if the power source is cut off.
8. Replace worn or damaged parts so that the machine remains safe. Only use certified spare parts and accessories.

2.2. SAFETY MEASURES ASSOCIATED WITH CHARGER AND BATTERY USE

Important

Please refer to the tool battery instructions.PELLENC

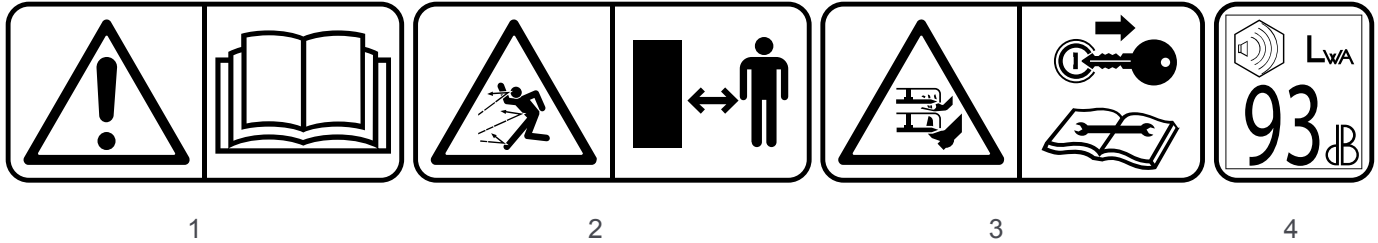
2.3. PERSONAL PROTECTION EQUIPMENT

	Equipment	Wear	
	1	Safety helmet	--
	2	Protective visor	--
	3	Protective gloves	Recommended
	4	Safety footwear	Mandatory
	5	Ear protection	Recommended
	6	Protective goggles	Mandatory
	7	Jacket or over-sleeves	Recommended
	8	Work trousers	Recommended

2.4. SAFETY SIGNAGE

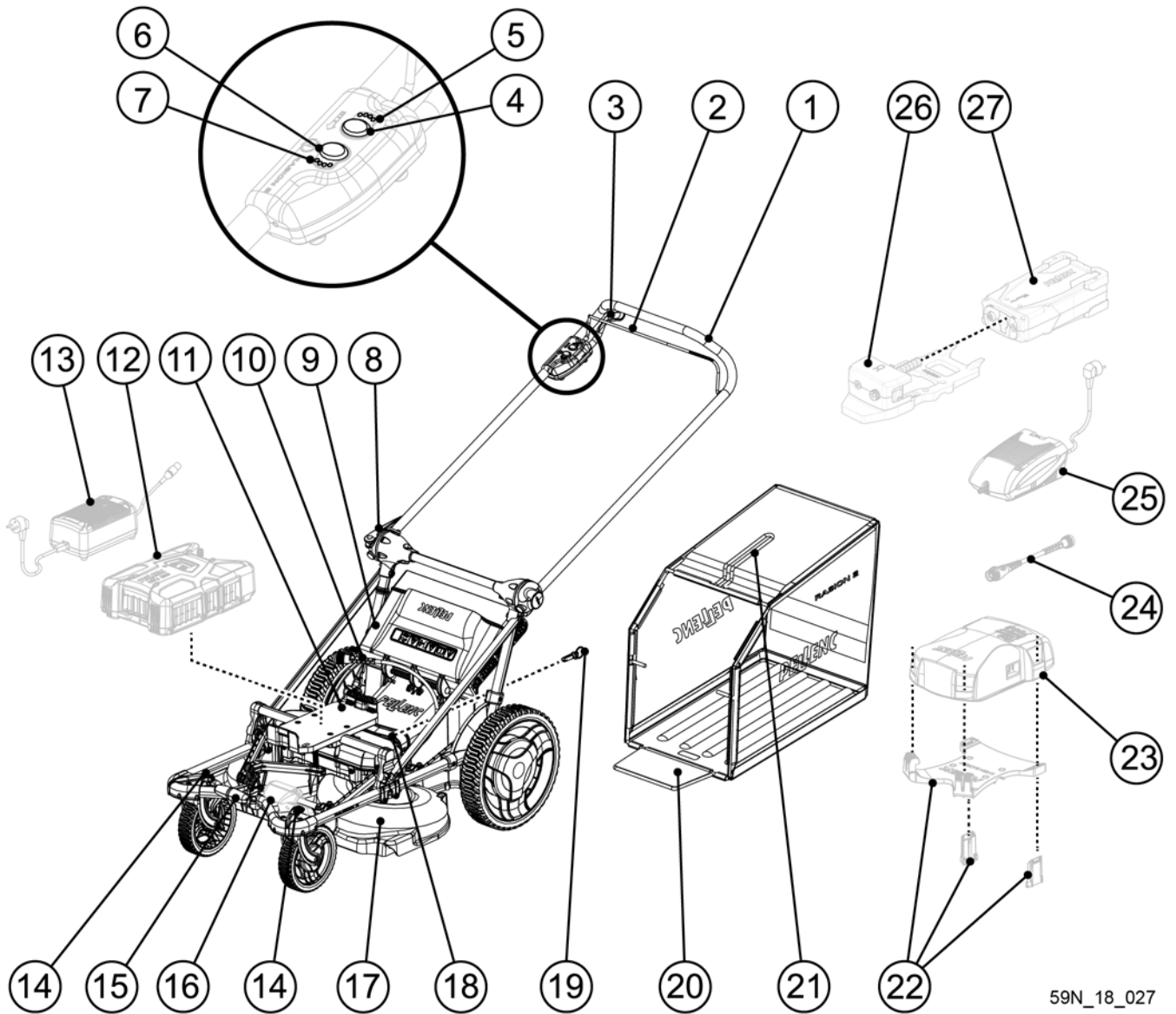
Use the lawn mower with caution.

Pictograms on the ejection flap of the machine indicate the main precautions to be respected to avoid injury:



- 1. Read the user manual**
Read the instructions carefully and follow the safety precautions.
- 2. Risk of injury**
Ensure the people in the vicinity are not at risk from matter ejected from the machine.
Keep a safe distance of at least 15 meters between the machine and people in the vicinity.
- 3. Caution - the cutting blades are very sharp!**
Keep your feet and hands away from the blade and the cutting area.
Remove the safety locking device before performing maintenance work and before leaving the mower unattended, regardless of the duration.
- 4. Noise levels**
Sound power 93 dB{1}

3. DESCRIPTION AND FEATURES



59N_18_027

- | | |
|--|---|
| <ul style="list-style-type: none"> 1. Handlebar 2. Blade On/Off bar 3. Drive trigger 4. Speed selector knob 5. Forward speed indicator LEDs 6. Blade speed selector knob 7. Blade speed indicator LEDs 8. Handlebar adjusting lever 9. Ejection flap 10. Mower power cable 11. 750/1200/1500 battery support kit 12. PELLENC 750/1200/1500 battery (not included) 13. CB5030HV battery charger (not included) | <ul style="list-style-type: none"> 14. Front wheels lock bolts 15. Cutting height adjustment handle 16. Density sensor (ICC) (not included) 17. Cutter housing 18. Security key socket 19. Security key 20. Collecting bin 21. Collection bin handle 22. ULIB 400/700/1100 support + battery tray (not included) 23. PELLENC ULIB 400/700/1100 battery (not included) 24. ULIB 400/700/1100 battery adapter cable (not included) 25. CB5075 battery charger (not included) 26. alpha 520 battery support 27. PELLENC alpha 520 battery (not included) |
|--|---|

3.1. TECHNICAL FEATURES

Model	RASION 2 EASY
Dimensions when folded (l x w x h)	887 x 620 x 613 mm
Dimensions when unfolded (l x w x h)	1650 x 620 x 884 mm
Unladen weight (without battery or collecting bin)	28 kg
Cutting width	60 cm
Cutting height	25/35/45/55/65/75 mm
Collecting bin capacity	70 L
Weight of the empty collecting bin	2.7 kg
Cutter housing	Cast aluminum
Maximum power	1600 Watts
Forward speed	2/3/4 or 5 km/h
Reverse speed	2 km/h
Safety equipment	Removable security key
Sealing	IPX4
Battery autonomy	Depends on use and battery type

Determination of the sound levels and vibration rates is based on the operating conditions at the nominal maximum speed.

Maximum weighted sound pressure level A (ref. 20 µPa) at the user's position	LpA = 83.5 dB(A)	K = 2.5 dB
--	------------------	------------

Values determined according to the sound measurement standards EN60335-2-77.

Symbol	Value	Unit	Reference	Remark
LWAm	92	dB(A)	1 pW	Measured sound power level
LWAg	93	dB(A)	1 pW	Guaranteed sound power level

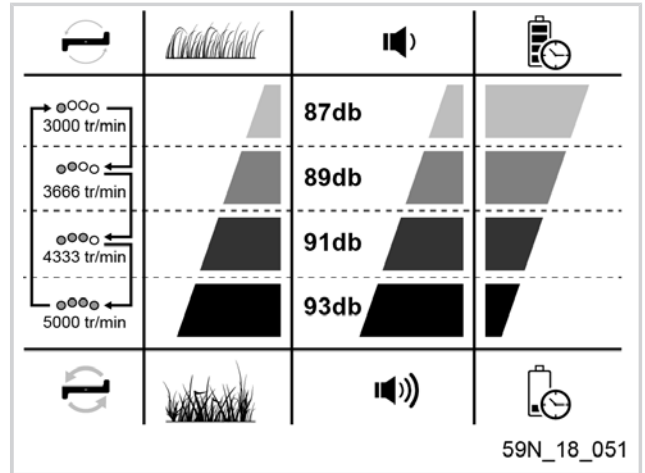
The recording of the measured sound power level and of the guaranteed sound power level has been performed according to a procedure in accordance with directive 2000/14/EC.

Vibration emission value as per EN60335-2-77	ahW = 0.7m/s ² and K = 0.3m/s ²
--	---

3.2. NOISE LEVELS

The noise generated by the mower and the battery life both depend directly on the turning speed of the cutting blades:

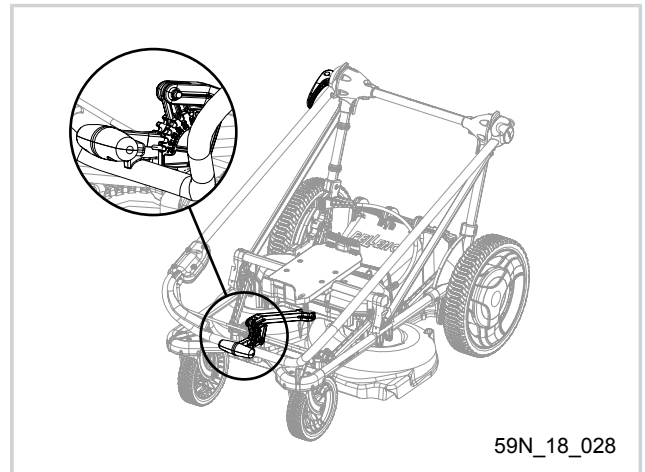
The faster the blades are turning, the greater the noise and the lower the battery life. When the AUTO mode is enabled, the noise generated will increase as the rotational speed of the blades increases.



4. COMMISSIONING

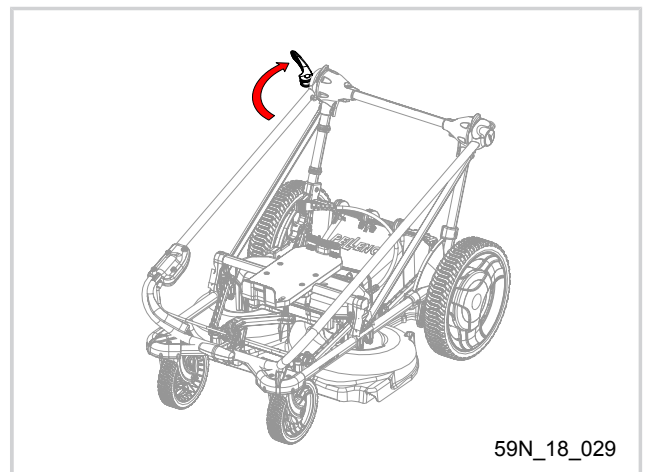
In the packing box, the mower is in the transport position. The handlebar (1) is folded forward and held in place both by the cutting height control knob (15) and the handlebar adjustment levers (8).

To start using the mower, the mower must be unfolded and in the working position.



4.1. UNFOLD THE MOWER INTO THE WORKING POSITION

Unlock the adjusting lever (8) by pulling it backwards.

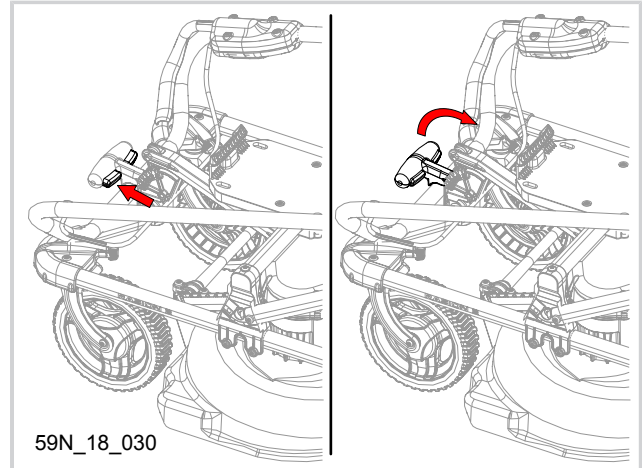


With one hand, hold the cutting height adjustment handle (15) whilst simultaneously pressing on the two buttons to release its position.

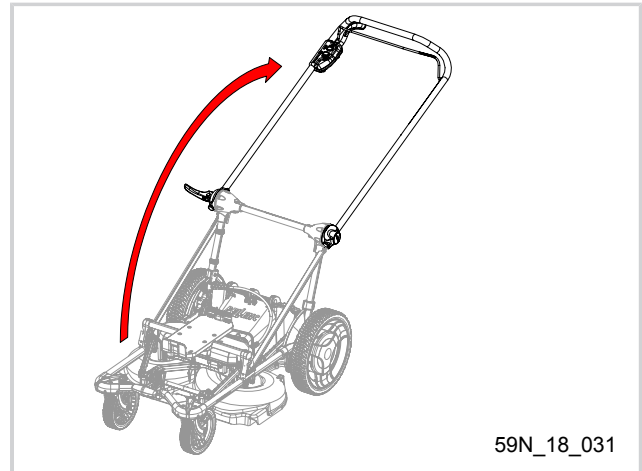
Hold the buttons down and pull the handle backwards.

With your other hand, release the handlebar (1) and reposition the handle in the notch in which it was held.

Release the buttons and ensure that the handle is correctly locked.

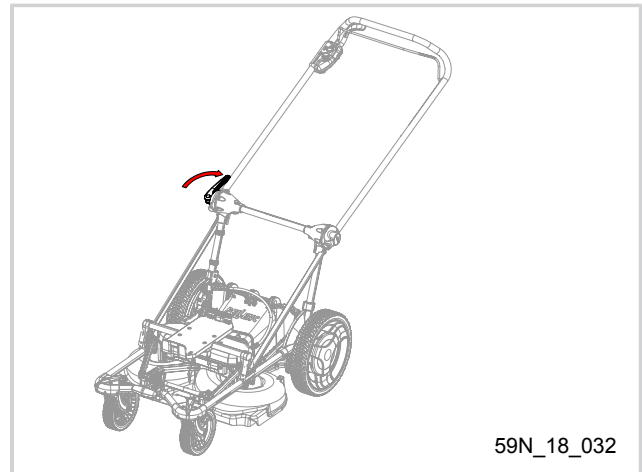


Fully unfold the handlebar (1) backwards.



Swing the adjusting lever (8) to the back to lock the handlebar.

Turn the handle back on itself if necessary, to adjust the tightness of the handle.



Note

To be able to maneuver your lawn mower easily, choose a comfortable and agreeable working position to suit your body shape.

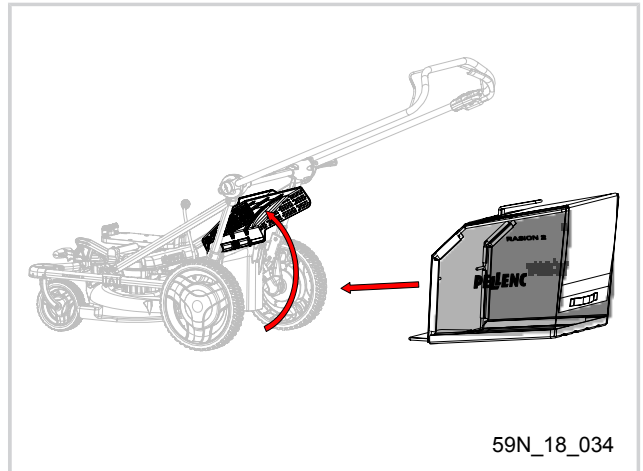
4.2. COLLECTING BIN CAPACITY

Note

The mower works like a vacuum cleaner that throws the cut grass into the collecting bin. Ensure that you always empty the collecting bin before it is full to avoid impairing the performance.

Overloading the bag may damage it. Before attaching the collecting bin to the lawn mower, always check it for holes, tears or damage.

Lift the ejection flap (9) and slide the collecting bin (20) into the notches located at the rear of the mower.



Note

Always check that the collecting bin is correctly attached to the lawn mower before you begin mowing.

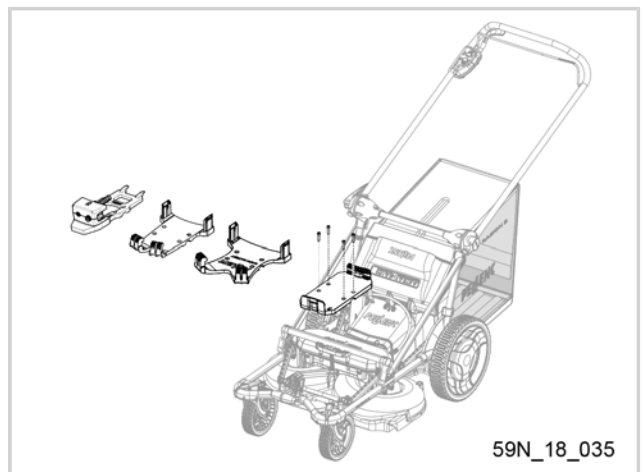
4.3. INSTALLATION OF A BATTERY TRAY

The basic mower is equipped with a 750/1200/1500 battery tray. To use a ULIB 400/700/1100 battery or a alpha 520, the factory-installed bracket must be removed and replaced it with an adapted bracket (option).

Remove the 4 fixing screws of the battery tray (12) already in place.

Place the desired battery tray (12) on the frame tube.

Install and tighten the 4 fixing screws of the battery tray (12).



Note

An optional power cable is needed for the type batteries.

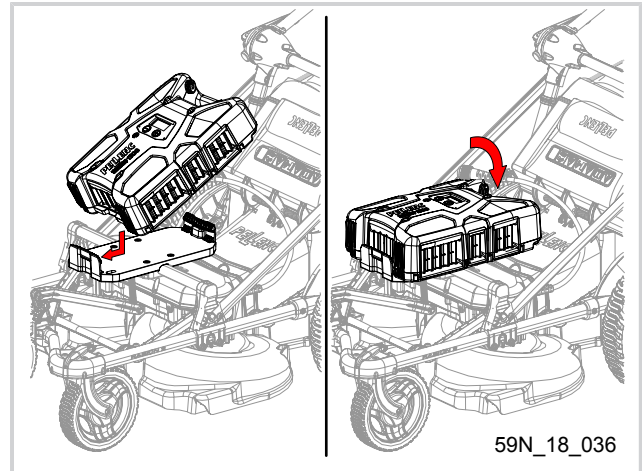
4.4. 750/1200/1500 BATTERY: INSTALLATION AND CONNECTION

Check battery autonomy (12) before use. If necessary, recharge the battery using the charger (13) supplied with the battery.

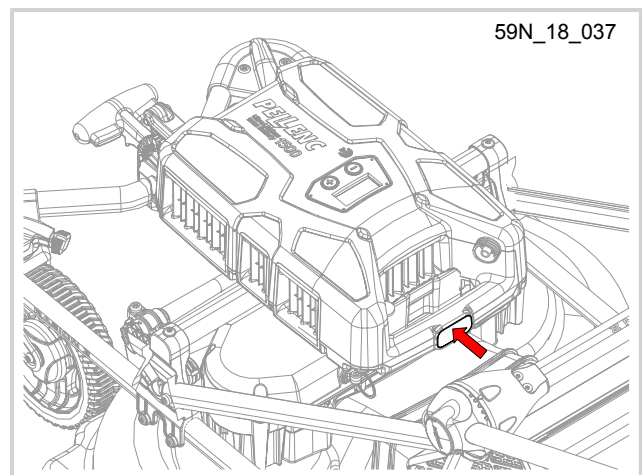
Slide the battery (12) from the rear into the upper hook of the battery tray (11).

Clip the front of the battery (12) into the lower hook of the battery tray (11).

Check that the battery is completely locked on the tray.

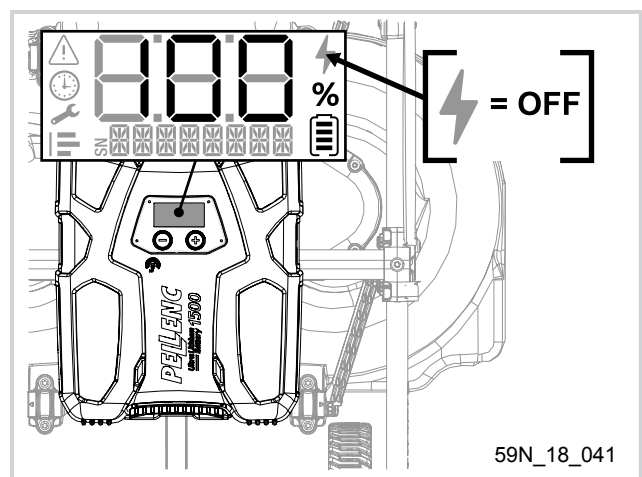


To remove the battery (12) from the battery holder (11), lift it while pressing on the release button.



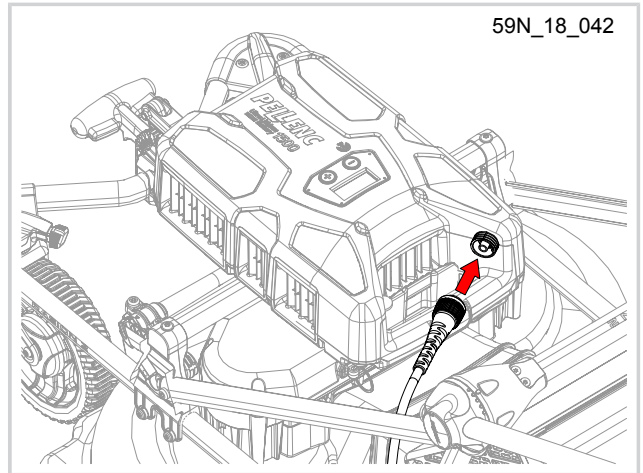
Before electrically connecting the battery to the mower, check that the battery power indicator is off.

The power indicator (represented by a flash) should not be visible on the battery display.



Connect the power cable (10) of the mower to the battery connector.

Screw up tight and check that the cable is properly connected.



59N_18_042



Caution

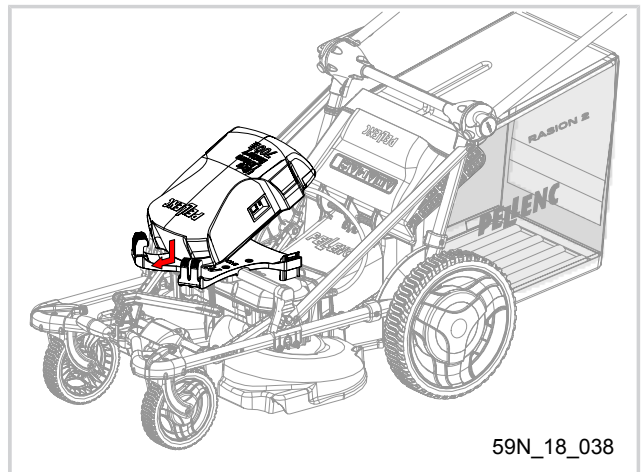
To prolong the life of the connectors, it is advisable to protect them when they are disconnected. Therefore, avoid leaving the connector in contact with abrasive or dirty surfaces, or subjecting it to major impacts (falls).

4.5. ULIB 400/700/1100 BATTERY (RED CONNECTOR): INSTALLATION AND CONNECTION

After having installed the appropriate battery tray, the procedure for installing a ULIB 400/700/1100 battery identical.

Check battery autonomy (23) before use. If necessary, recharge the battery using the charger (25) supplied with the battery.

Slide the battery (23) from the rear into the upper hooks of the battery tray (22).

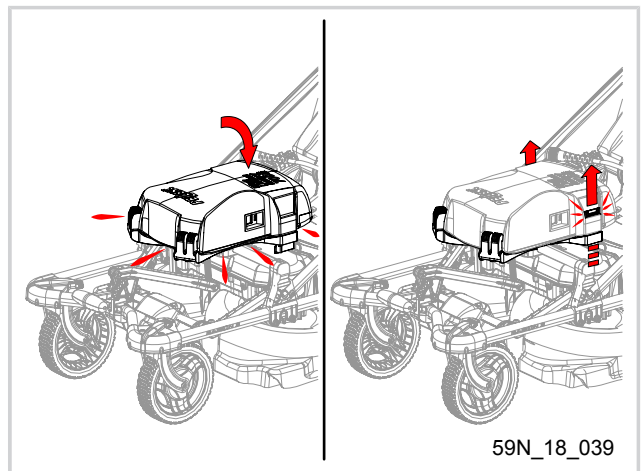


59N_18_038

Release the back of the battery to position it horizontally on the tray.

Push up the rear clips until they click.

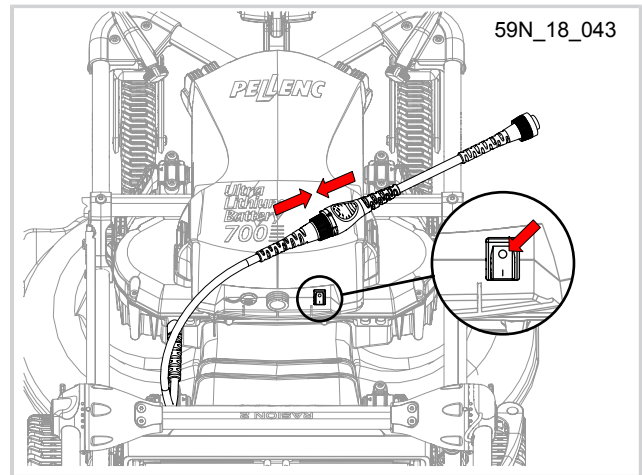
Check that the battery is completely locked on the tray.



59N_18_039

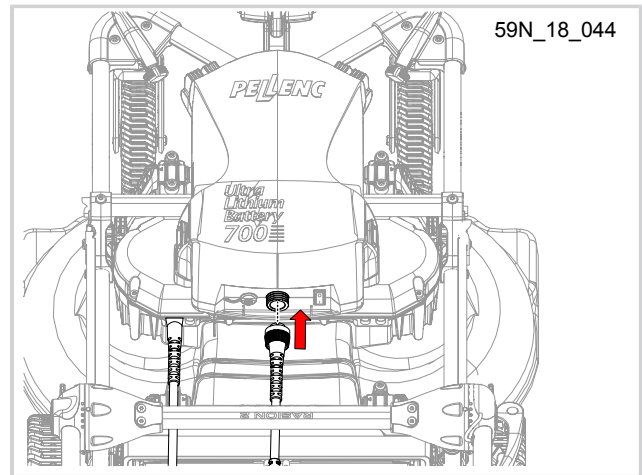
Check that the battery switch is turned to off (position '0').

Connect the power cord (10) of the mower to the adapter cable (24) (not included).



Then connect the end of the adapter cable to the battery (23) taking care to align the polarizers.

Screw tight and check that the cable is properly connected.



Caution



Only ULIB 400/700/1100 batteries with a red connector can be used with this mower.

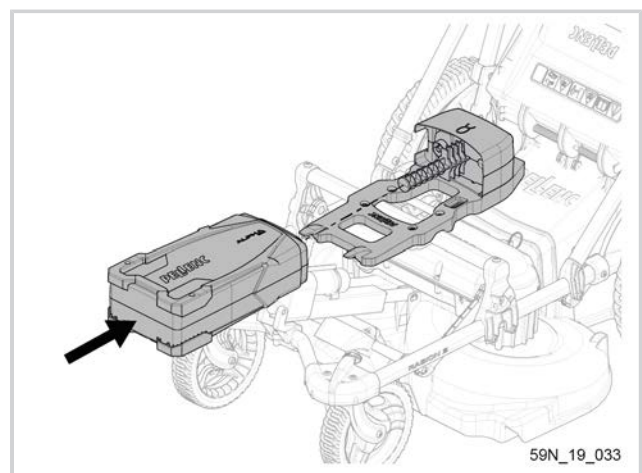
To prolong the life of the connector, it is advisable to protect it when unplugged. Therefore, avoid leaving the connector in contact with abrasive or dirty surfaces, or subjecting it to major impacts (falls).

4.6. ALPHA 520 BATTERY: INSTALLATION AND CONNECTION

After having installed the appropriate battery tray, the procedure for installing a alpha 520 battery identical.

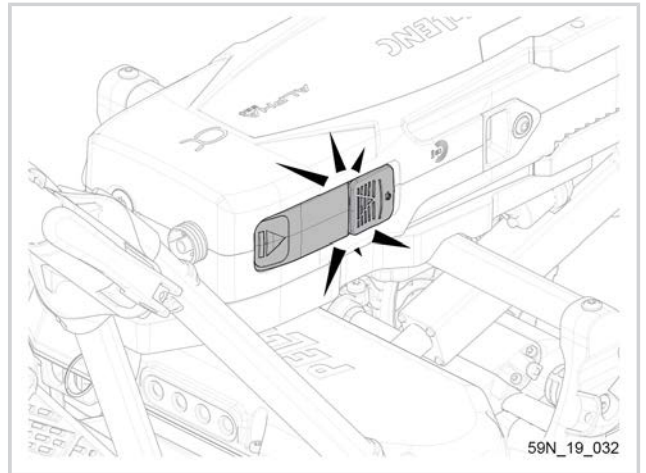
Check battery autonomy (27) before use. If necessary, recharge the battery using the charger (25) supplied with the battery.

Slide the battery (27) onto the guide of the battery tray (26).



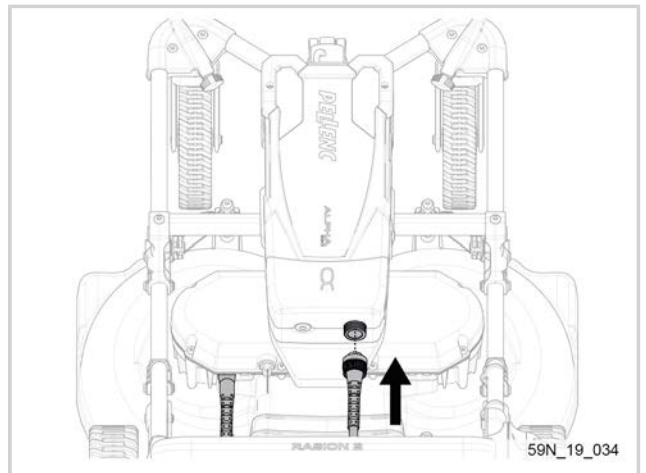
Move the battery (27) along the guide until the locking clip holds it in place.

Check that the battery is completely locked on the tray with the battery safety lock.



Then connect the end of the mower cable to the battery support (26) taking care to align the polarizers.

Screw up tight and check that the cable is properly connected.



Caution

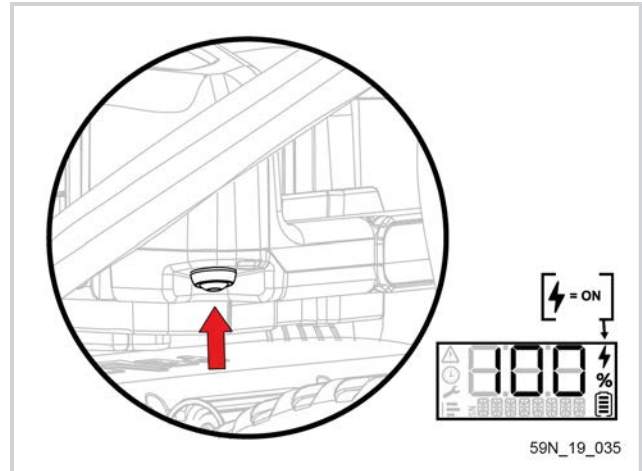
To prolong the life of the connectors, it is advisable to protect them when they are disconnected. Therefore, avoid leaving the connector in contact with abrasive or dirty surfaces, or subjecting it to major impacts (falls).

5. USAGE

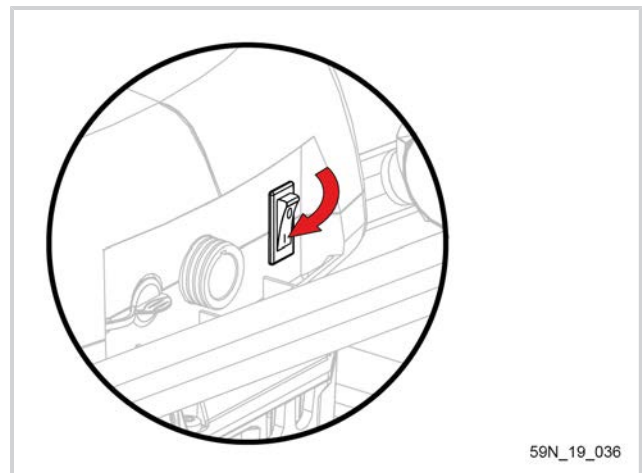
The mower is now ready for use but before starting to mow, the battery must be turned on. Proceed as indicated below:

5.1. TURN ON / OFF THE BATTERY

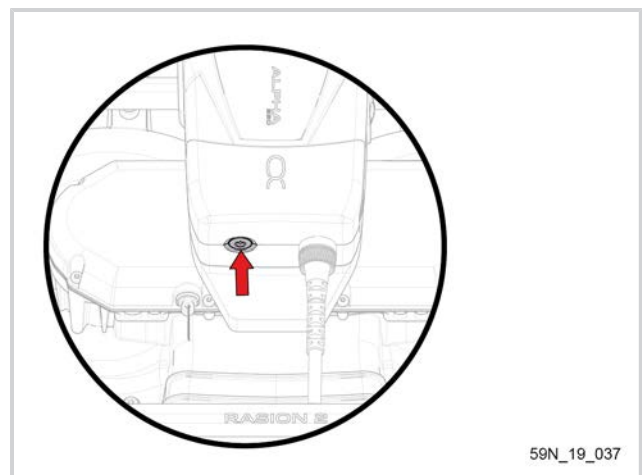
750/1200/1500 battery: Turn on the battery by pressing the push button (battery power icon present).



ULIB 400/700/1100 battery: Turn on the battery by pressing the switch ('I' position).



alpha 520 battery: Turn on the battery by pressing the push button on the alpha 520 battery support



Note

When the battery is switched on, the 8 LEDs in the control box light up one after the other. Wait for the LEDs to stop scrolling to continue.

5.2. SETTINGS

5.2.1. ADJUSTING THE TRAVEL SPEED

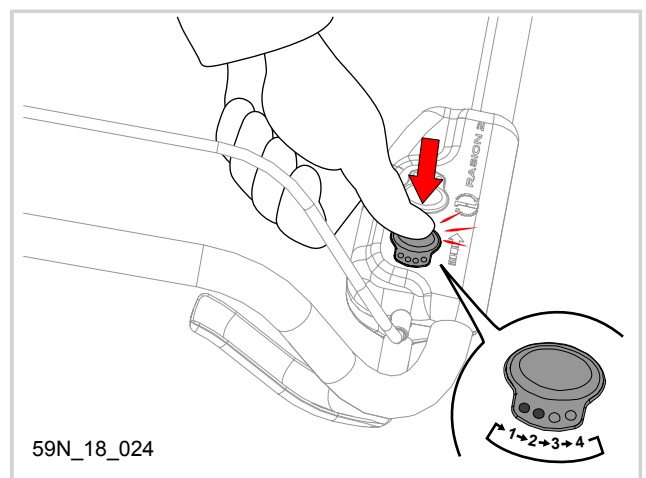
This is a self-propelled mower. When the forward switch is activated, the engines drive the rear wheels and the mower moves forward on its own, leaving you to guide it. The revolutionary self-propelling motor provides significant help for effortless mowing of garden slopes or embankments.

In forward movement, the mower travels at between 2 and 5 km/hr. The forward speed can be controlled by pressing the forward speed movement selector button (4) several times to move from speed 1 to speed 2, then 3 and 4. The speed can be changed at any time, before or after starting the mower's motor. The four LEDs below the button show the selected forward speed.

In reverse, the mower can only move at speed 1 (2 km/hr).

Press the button (5) several times, to move from speed 1 to speed 2, then 3, 4 and back to 1:

- 1 LED on = speed 1 (2 km/h)
- 2 LEDs on = speed 2 (3 km/h)
- 3 LEDs on = speed 3 (4 km/h)
- 4 LEDs on = speed 4 (5 km/h)



5.2.2. ADJUST THE ROTATION OF THE CUTTING BLADES

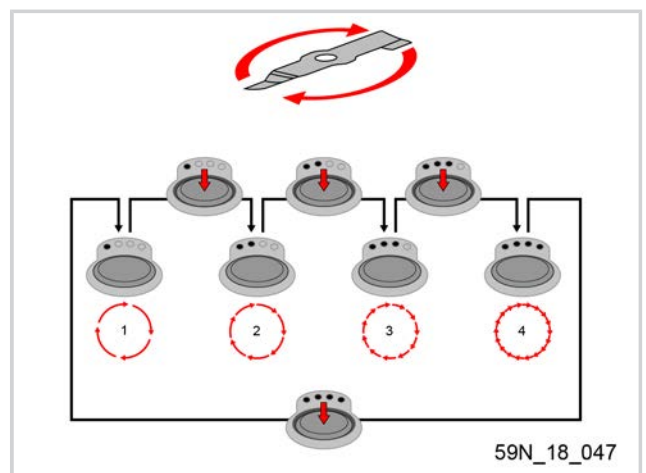
Depending on the density of grass to be cut, the blade speed may have to be increased in order to maintain a clean, sharp cut.

- 5.2.2.1. MANUAL ROTATION SPEED

The four indicators above the cutting blade rotation speed selector button (6) show the blade rotation speed: 1, 2, 3 or 4. The blade rotation speed can be changed at any time, before or after starting the mower's motor.

Press the button (6) to switch between rotation speeds 1, 2, 3, or 4:

- 1 LED on = speed 1 (3000 rpm)
- 2 LEDs on = speed 2 (3666 rpm)
- 3 LEDs on = speed 3 (4333 rpm)
- 4 LEDs on = speed 4 (5000 rpm)

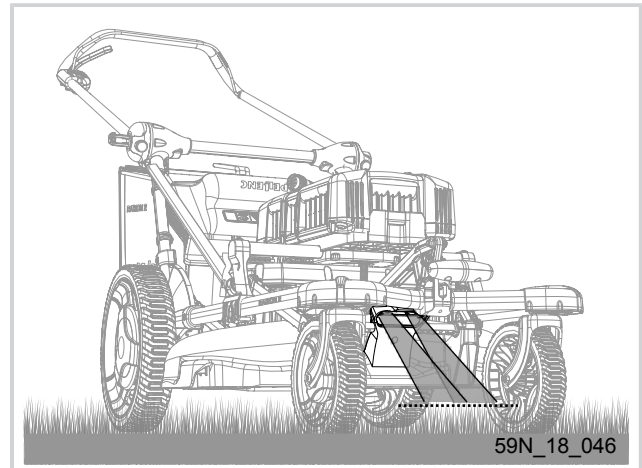


Note

When speed 4 is reached, a further press on the button (6) resets the blade rotation speed to speed 1.

- 5.2.2.2. AUTOMATIC ROTATION SPEED (OPTIONAL)

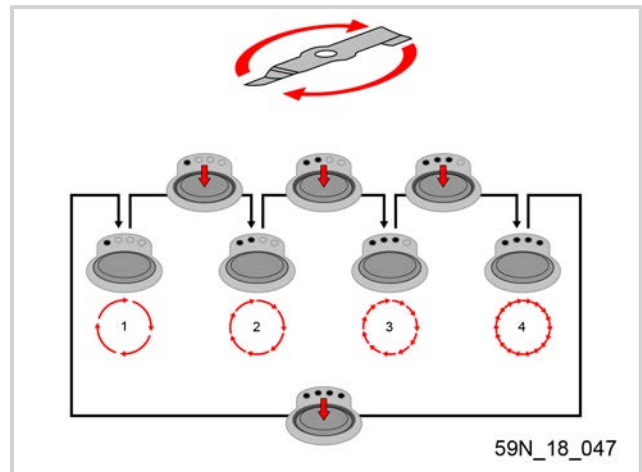
The density sensor (16) located at the front of the mower regulates the rotation speed of the cutting blades, which will automatically vary between 3000 and 5000 rpm depending on the density and height of the grass.



59N_18_046

Press the button (6) until the green LED is on to activate automatic rotation speed.

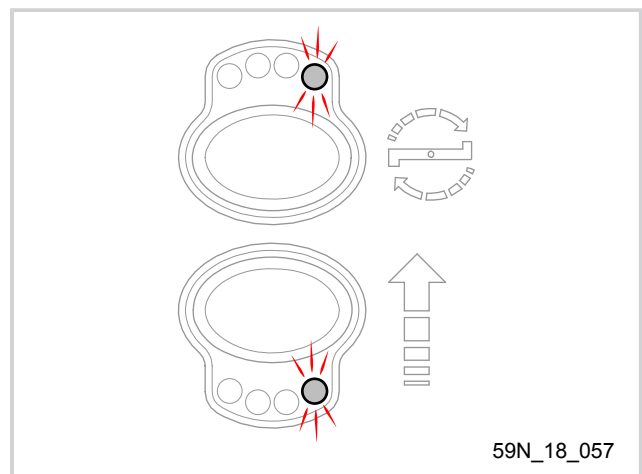
- 1 LED on = self-regulated speed 1 (3000 to 5000 rpm)
- 2 LEDs on = speed 2 (3000 rpm)
- 3 LEDs on = speed 3 (4000 rpm)
- 4 LEDs on = speed 4 (5000 rpm)



59N_18_047

Even if the cutting blade speed is cut because the optical sensor is dirty, you can still carry on working by manually setting one of the 3 blade rotation speeds. The density sensor will no longer regulate the blade rotation speed automatically.

Once mowing is finished, the density sensor (16) can be cleaned. Nonetheless, clean it fairly often so that the dirt does not stick to the sensor.



59N_18_057



Caution

When the optical sensor is covered with dirt, it can no longer analyze the density and the height of the grass to be cut. The mower stops the cutting blades rotating and a flashing error code is displayed on the control box.



Warning

Always turn the battery off for maintenance.

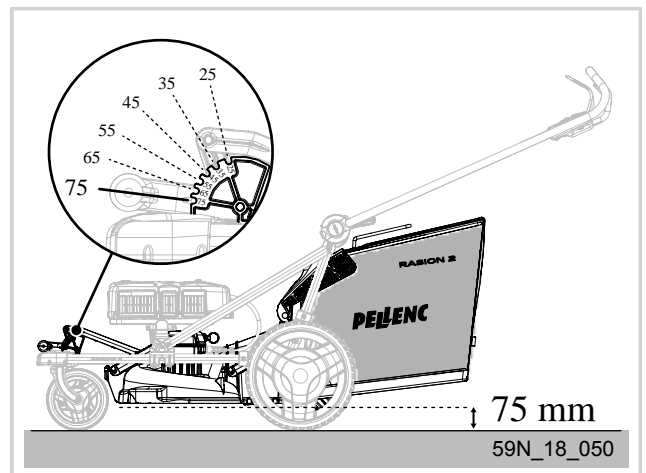
Always clean the optical sensor with a cloth soaked in water. Never use a water jet or a solvent!

5.2.3. ADJUST THE CUTTING HEIGHT

The cutting height is adjusted using the handle (15) to select one of six different cutting heights, from 75 mm at the highest, to 25 mm at the lowest.

Hold the handle (15) firmly whilst simultaneously pressing on the two buttons to release its position.

Hold the buttons down and move the handle to one of the six available positions, from 75 mm for the highest cutting height to 25 mm for the lowest.



Caution

Never work with the mower when the handle (15) is in "parking brake/transport" position.

In this position the cutter housing comes into contact with the rear wheels and acts as a brake. The mower can therefore neither move forwards nor reverse and cannot be pushed.

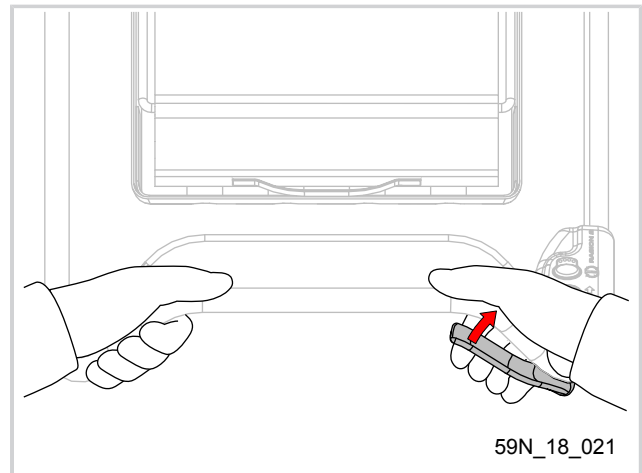
Note

If in doubt which cutting height to choose, always start mowing with the highest cutting height. Examine the result on a small area and, if necessary, adjust the cutting height again, being careful not to cut more than 1/3 of the height of the grass.

5.3. CONTROLS

5.3.1. DRIVING FORWARD.

Press the forward trigger (3) and hold it to drive the mower.



Note

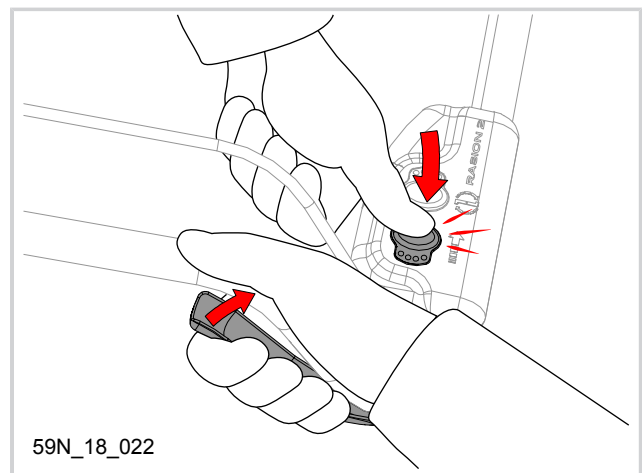
The acceleration of the mower is proportional to the pressure exerted on the forward trigger (3). It varies between 2km/hr and the selected speed.

5.3.2. DRIVING IN REVERSE.

With one hand, press the button (4) and hold it down.

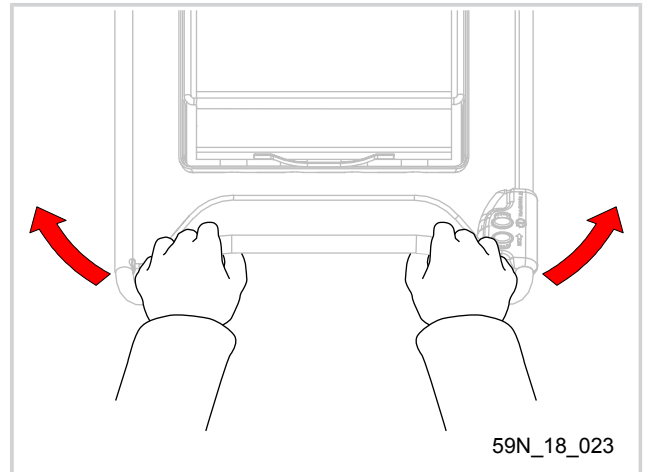
With the other hand, press the forward trigger (3) and hold it down.

Release the button (4). The mower will now reverse.



5.3.3. DRIVING TO ONE SIDE

This is a manual action. Steer the mower to right or left to turn in the desired direction.

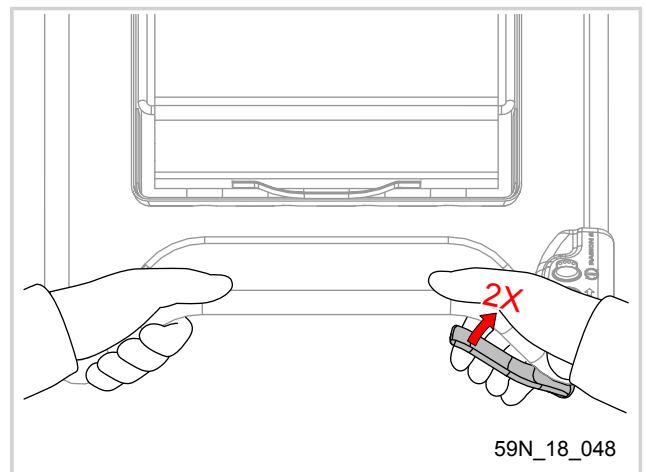


5.3.4. USE THE BOOST FUNCTION

The boost function lets the mower accelerate to its max speed of 5 km/hr.

Only when the blades and wheels are stationary, press twice quickly on the forward trigger (3) and hold it after the second press to activate the Boost function.

The mower then accelerates to its max speed of 5 km/hr, as long as the forward trigger is held pressed. If it is released, the mower stops moving forward.



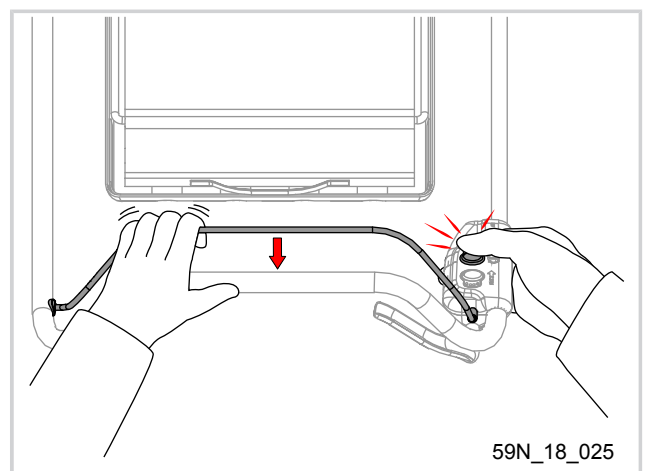
5.3.5. ENABLE THE ROTATION OF THE CUTTING BLADES

With one hand, press the start button (6) and hold it down.

Use your other hand to pull the bar (2).

Release the start button (6). The cutting blades start moving.

The rotation speed of the cutting blades is active as long as the bar is held.



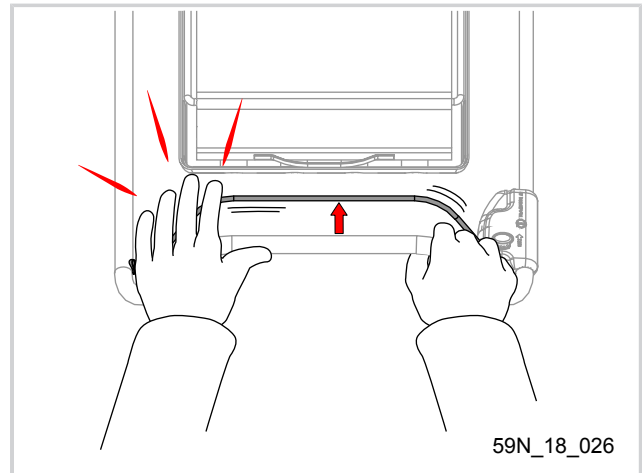


Caution

To avoid accidents, always keep all four wheels of the mower on the ground. Do not run when you are pushing the lawn mower. Be even more careful when mowing on bumpy and uneven ground and when the collecting bin is full.

5.3.6. STOP THE ROTATION OF THE CUTTING BLADES

Release the bar (2) to stop the rotation of the cutting blades.



Caution

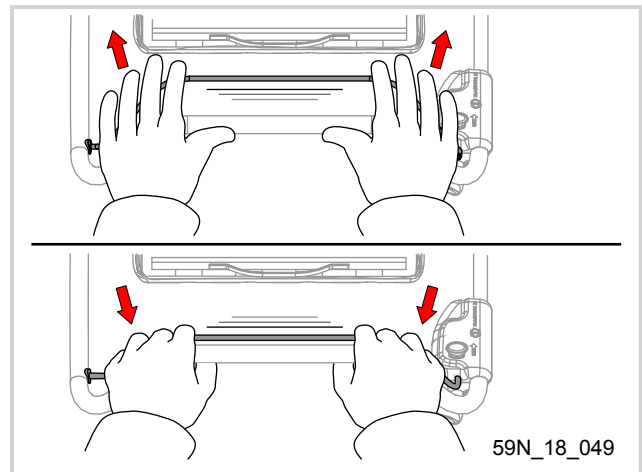
If the user moves away from the mower for any length of time, or is no longer using it, always:

- turn off, disconnect and remove the battery from its tray.
- remove the ignition key.

5.3.7. USE THE BLADES BOOST FUNCTION

The Boost function allows the cutting blades to accelerate to their maximum speed of 5000 rpm for 2.5 seconds and then return to their set speed.

Release and pull on the bar (2) rapidly to activate the Boost function.

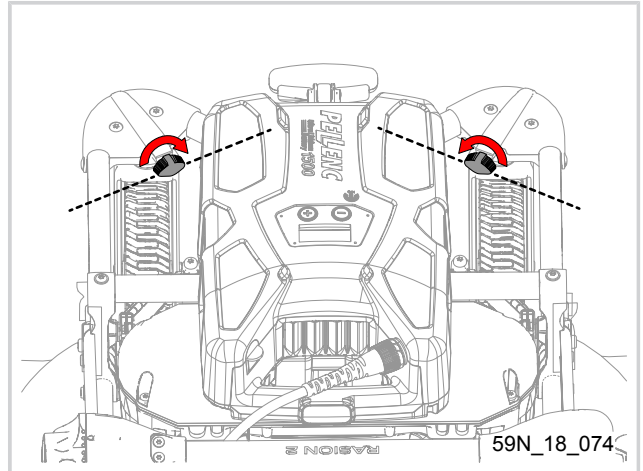


5.3.8. LOCK / UNLOCK THE FRONT WHEELS DIRECTION

To lock the rotation of the front wheels, turn the 2 pins in front of each wheel to the horizontal.

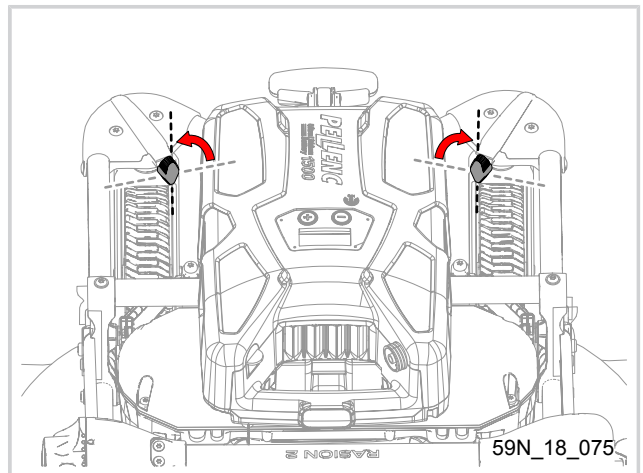
In this position, the front wheels stay straight and the mower moves only in a straight line. A deliberate change of direction to the right or to the left nevertheless releases the wheels, which are then free to turn.

When the front wheels are back in a straight aligned position, they lock again in the straight ahead direction.



To lock the rotation of the front wheels, turn the 2 pins in front of each wheel to the vertical.

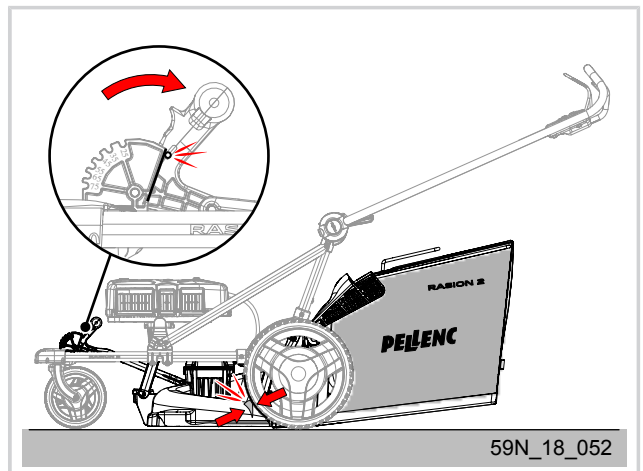
In this position, the front wheels are free and the mower can be turned in any direction without constraints.



5.3.9. PARKING BRAKE/TRANSPORT

When the power is stopped, and the blades are not turning, put the cutting height adjustment handle (15) into “parking brake/transport” mode, to secure the mower on a slope or embankment. In this position the cutter housing comes into contact with the rear wheels and acts as a brake. The mower can therefore neither move forwards nor reverse and cannot be pushed.

Hold the cutting height adjustment handle (15) whilst simultaneously pressing on the two buttons to release its position and push the handle further than the 25mm position.





Caution

Always check the blades and wheels have stopped before putting on the brake. When the brake is on, do not operate wheels or blades.

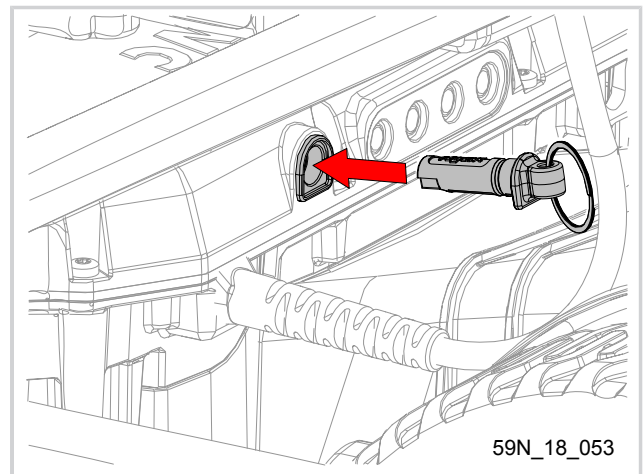
5.4. IMMOBILIZER SYSTEM

5.4.1. SECURITY KEY

Note

This lawn mower is fitted with a key immobilizer system that prevents the motor from starting if the key is not in its socket. This system helps to limit the risks of accidents and theft.

Insert the security key (19) into the socket (18).



Caution



Always remove the key from its socket when the work is finished. Keep the key with you or in a secure place where it cannot be accessed by unauthorized persons.

If the key is pulled out or not detected, the lawn mower will stop immediately. To restart the mower, turn off the battery, insert the security key in its socket and turn the battery back on. The mower will once again be ready to operate.

5.4.2. INCLINOMETER

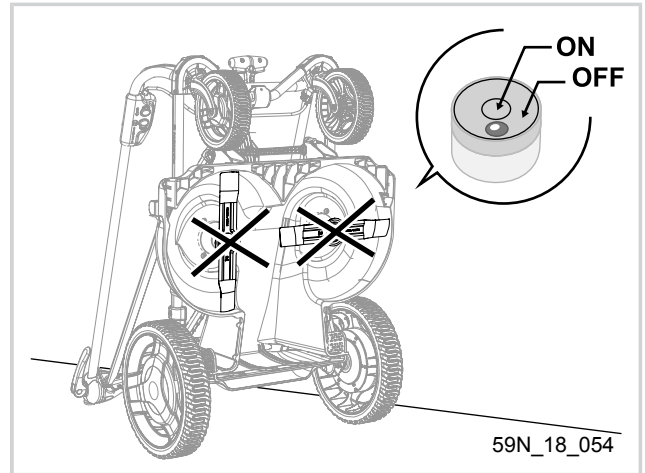
Note

This lawn mower is equipped with an inclinometer that prevents engine start up when the mower is steeply inclined or turned over.

For your safety, it is impossible to start the blades when the mower is in a vertical position:

- for cleaning
- for unclogging
- to change worn parts

If the battery is operating, an intermittent beep shows that the mower is in a dangerous position with the battery enabled.



59N_18_054

Caution



If the ground to be mowed is steep, there may be too much of a tilt on the mower and the motor will not start because of this safety feature.

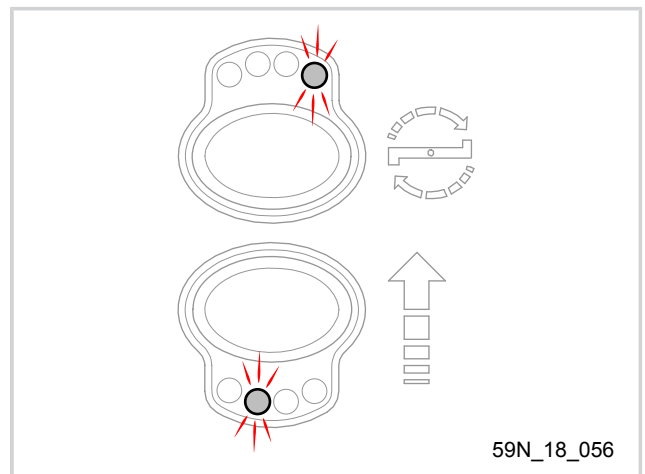
If the mower is not located on level ground (slope <math><20^\circ</math>), a flashing error code corresponding to the safety shut down of the mower will appear on the control box.

Flashing error code for safety shut down:

Caution



If the blades are already moving, turning the mower into a vertical position or tipping it over will not stop the blades.



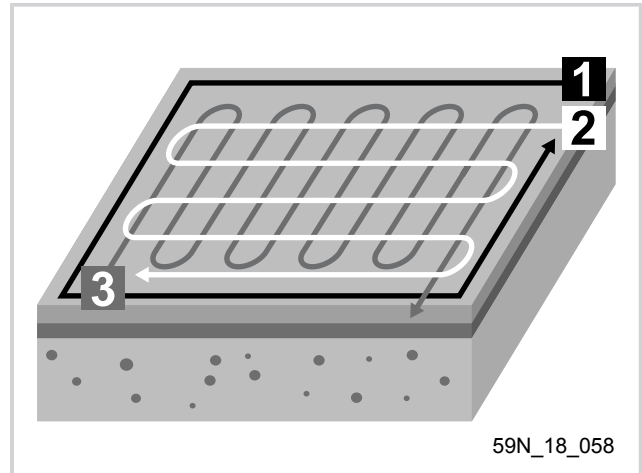
59N_18_056

5.5. ADVICE FOR USE

To get the best results when mowing a lawn and save time you should follow a certain method. Mow from the edge to the center. You should mow transversely. To make the height of the grass even, you should cut in different directions. However, you should take greater care when mowing on sloping ground to avoid tipping the lawn mower. After mowing, the cut grass must be collected if it has not been mulched. Otherwise, residue can choke the lawn and prevent it from keeping its green color.

5.5.1. MOWING METHOD

1. Clear the edges of the area, if possible using the mower, otherwise using a brush cutter.
2. Mow by going forwards and backwards, first lengthwise.
3. Then change direction and mow crosswise.



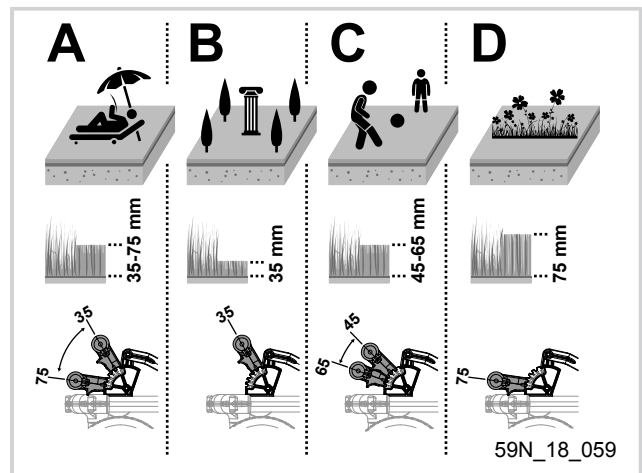
Note

Try to overlap slightly on the previous line to attenuate the mowing lines and obtain a uniform lawn.

5.5.2. CUTTING HEIGHT

The cutting height depends both on the type of lawn that has been sown and the aesthetic appearance you wish to obtain:

- For a recreational lawn [A], (family garden), mow to a height of 35 to 75 mm.
- For an ornamental lawn [B], (municipal and town gardens) mow to a height of 35 mm.
- For a sports ground [C], (stadiums, golf courses, play areas) mow to a height of 45 to 65 mm.
- For a meadow [D], mow to a height of 75 mm.



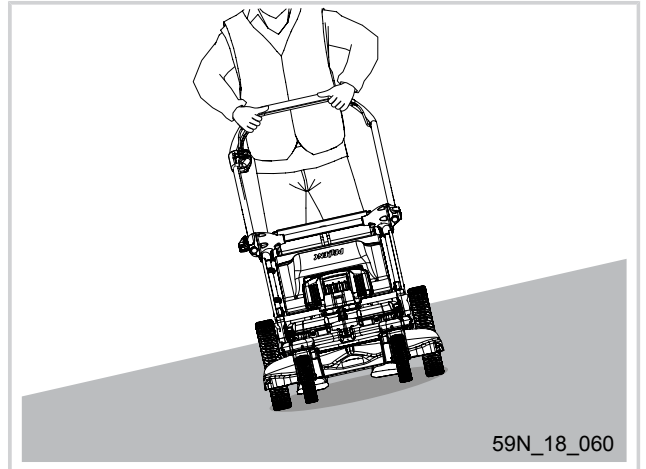
Note

- Ensure that you do not cut more than 1/3 of the height of the grass each time that you mow.
- Close cutting implies more frequent mowing.
- High cutting allows the grass to root deeper.

5.5.3. SLOPES

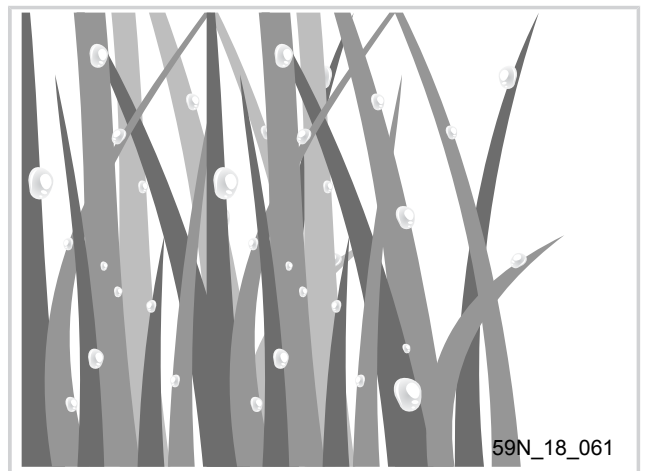
Although they are increasingly safe, lawn mowers are still dangerous machines, this is why it is better to mow across sloping ground rather than up and down to avoid any risk of tipping.

Take extra care if the lawn is slippery, you may lose control of the lawn mower and injure yourself.

**5.5.4. DAMP GROUND**

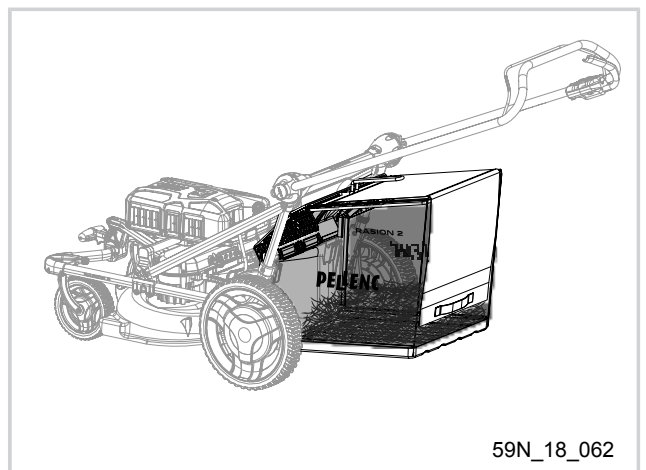
Mowing when the grass is wet can force and stall the mower by jamming in the mower cutting deck. Before starting work in the morning, it is better to wait until the area to be mowed is completely dry to avoid damaging the mower.

Mow preferably in dry weather. The quality of the work done will only be more efficient, faster, more energy efficient and less difficult for the mower.

**5.5.5. MOWING WITH GRASS COLLECTION**

Using the collecting bin allows you to have a clean lawn more quickly, without having to go over it a second time with a rake to collect the cut grass.

The collecting bin is easy to fit and remove, with no tools, using its handles (21).



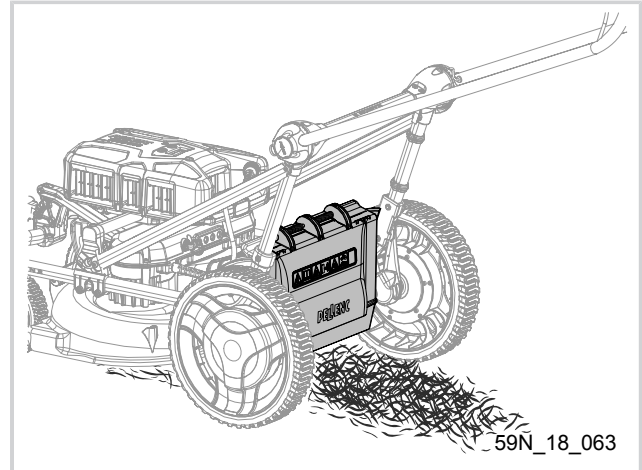
Note

Mowing with collection allows you to obtain a neat and clean lawn. The risk of lawn diseases is reduced as the waste does not decompose directly on the ground.

5.5.6. MOWING WITHOUT GRASS COLLECTION

This type of mowing is suited for meadows or high and un-even grass.

No collecting bin is required for this type of mowing.



Note

You just need to remove the collecting bin in order for the cut grass to be ejected from the rear of the lawn mower.

5.5.7. MOWING WASTE

- 5.5.7.1. LEFT IN PLACE

For a recreational lawn, you can leave the cuttings in place if you mow regularly as the cutting height will be lower and the grass finely cut.

Note

The cut part must however not exceed 2-3 cm!

- 5.5.7.2. COMPOSTING

The cut grass can be composted, alone or mixed with other garden and kitchen waste. However, take care not to put more than 5 cm of fresh cuttings in the composter as this material is high in nitrogen, which can release heat and bad smells.

Note

If volumes to compost are too high, leave the cuttings to dry in the sun for a day by spreading them on the ground to accelerate the decomposition process and prevent bad odors from being released.

- 5.5.7.3. USE CUTTINGS AS MULCH

Grass cuttings can also be used as mulch. For this, spread them at a thickness of 2 to 3 cm around your vegetable patches (tomatoes, aubergines, beans, etc.), on bare ground around your plants, or at the foot of trees and shrubs.

Note

This mulching limits evaporation during dry periods and will save on watering.

- 5.5.7.4. TURN CUTTINGS INTO ASH

You can also burn the waste to recover ashes that are rich in potassium. They can then be used around plants or spread on your lawn.

Note

French regulations regarding burning green waste

A circular was sent to Prefects in France on 18 November 2011 recalling the legal basis for the prohibition of burning green waste in the open air. It covers both private individuals and professionals working in green spaces who must eliminate their waste through mulching on-site, by taking it to a waste center or by direct recycling.

Only the Prefect may authorize an exemption to this rule at the suggestion of the health authority and after consultation with the regional health and technological and environmental authority (CODERST).

6. MAINTENANCE

6.1. MAINTENANCE FREQUENCY

Elements concerned	Operations	Frequency				Difficulty	Notes
		Prior to each use	After each use	Every 50 hours	When necessary		
General appearance	Visual inspection	X	X			1	
	Cleaning			X		1	
Handles / Triggers	Operation	X				1	
Screws and fittings (other than blades)	Tightening			X		1	
Cutter housing	Cleaning		X			1	Check that no waste is clogging the cutter housing that could block the blades from turning.
	Fastenings for the blades	X				1	Check the tightening of the nut that holds each blade
	Sharpening				X	2	Check that the blades are not blunt or damaged.
	Adjustment	X				1	Check that the blades are perpendicular
Battery	Please refer to the battery operating instructions						

6.2. USEFUL ADVICE FOR RISK FREE MAINTENANCE

Maintenance on the different parts of the lawn mower is important, it will ensure its service life longevity.



Caution

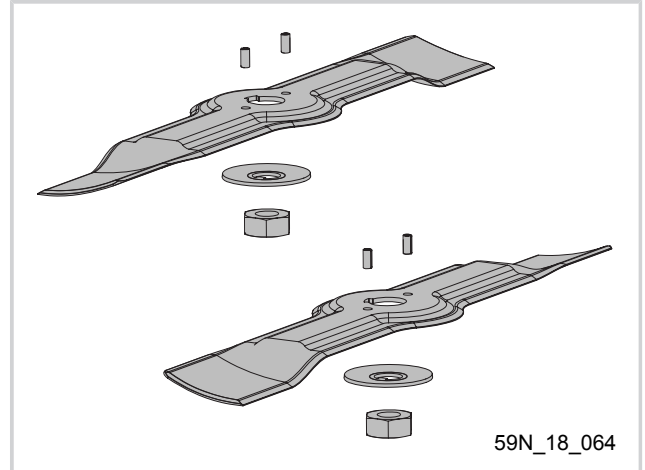
Always disconnect the lawn mower from the battery before working on the cutting blades.
 Always turn off and remove the battery before cleaning the lawn mower with a water jet.
 Always use products that are certified as compliant with your lawn mower.
 In the event of any problem, consult an authorized distributor.

6.2.1. CUTTING BLADES

The cutting blades ensure the grass is cut cleanly. A high quality mower blade cuts the grass cleanly without ripping or shredding. Any bent, worn or perforated blades must be changed.

These parts must be replaced as a precautionary measure or at least once a year:

1. Rasion blade cleaning kit, collection, ref.: 131404 (series)
- OR
2. Rasion blade maintenance kit, universal, ref.: 134104



Important

For your safety, the blades and retaining pins must be checked immediately after an impact.

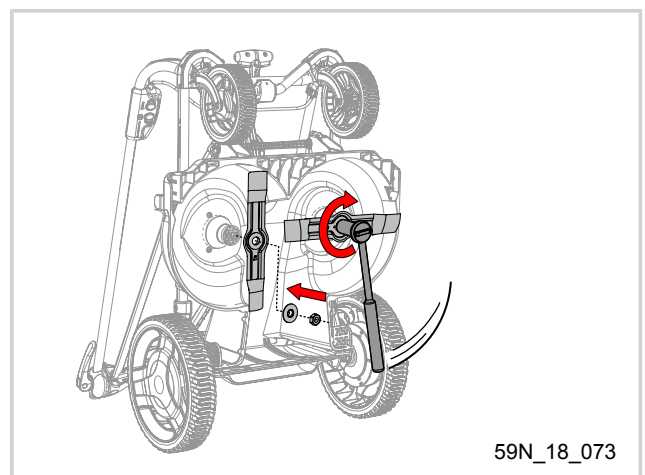
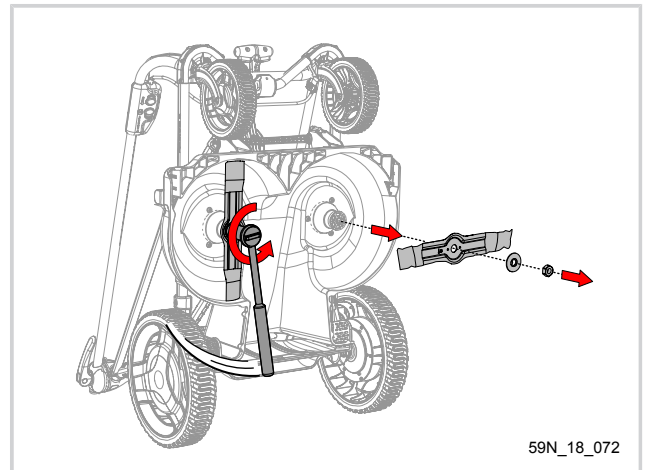
Tip the lawn mower upright. If the cutting blades are not perpendicular to each other, it may be because the retaining pins are broken.

In this case the mower must not be used to cut grass and the retaining pins must be replaced before the next use.

Before changing the retaining pins, check the state of wear of the cutting blades that can be replaced at the same time.

In case of excessive vibration, replace the blades:

- Unscrew and remove in order the 19mm nut, the Belleville washer and the cutting blade.
- Replace old pins with new pins if necessary.
- Sharpen the blade with a smooth-cut file following the bezel, filing only in one direction, from the inside to the outside of the blade, in one or two movements.
- Check that the blade is well balanced.
- Refit the blade in the direction of assembly, with tightening torque of 35 Nm



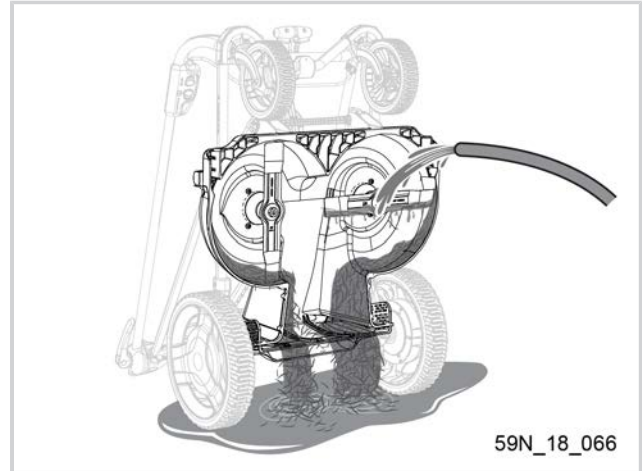
Caution

Always disconnect the lawn mower from the battery before working on the cutting blades.

6.2.2. CUTTER HOUSING

Clean the inside and the outside of the housing after each mowing session:

- Tip the lawn mower upright.
- Use a wooden or plastic tool to scrape grass from inside the housing, taking care not to scratch the housing.
- Clean the rest of the mowing residue using a low pressure water jet.



Caution

Always wear gloves to protect your hands and wrists when working near the cutting blades on the lawn mower! Danger of accidental cuts.



Warning

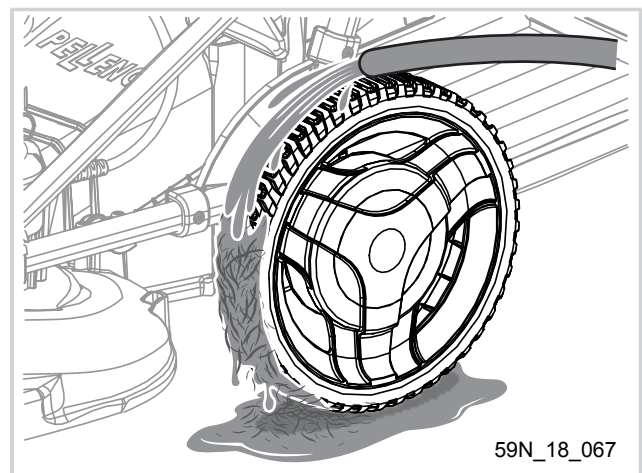
Never use soap or solvents, (such as trichloroethylene, white spirit or petrol, etc.) to clean the mower.

6.2.3. WHEELS

The lawn mower's wheels are particularly susceptible to clogging. Grass stalks, dust and mowing residues stick to the outer tires of the wheels and reduce the adhesion of the machine.

Clean the wheels after each mowing session.

Use a water jet to remove accumulated matter from the wheels.

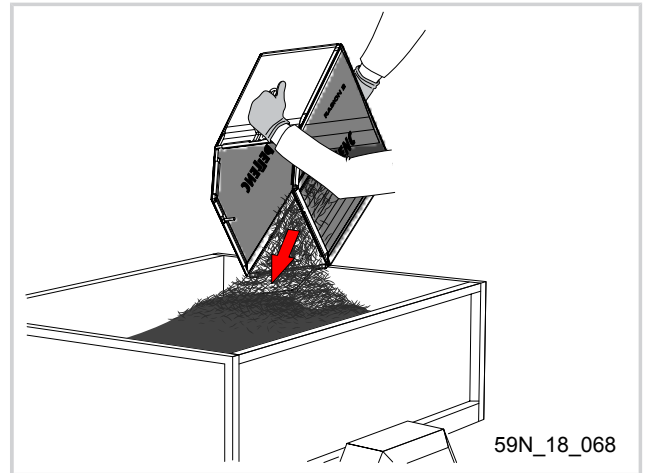


6.2.4. COLLECTING BIN

The collecting bin should always be cleaned thoroughly with a water jet after use and left to dry upside down in the sun to kill any mushroom spores and fungal diseases.

Empty the collecting bin regularly when mowing to ensure that the breathable fabric is clean.

The collecting bin is properly filled by the air flow created by the blades, which sends the cuttings into the collecting bin and then escapes through the vents.



59N_18_068

7. INCIDENTS AND TROUBLESHOOTING

Problem	Check	Probable cause	Possible action
The lawn mower does not start	The LEDs are off	Battery is off	Switch on the battery
		Battery discharged	Charge the battery
		Battery out of service or ULIB 400/700/1100 battery with a grey/black connector	Change the battery
		Wrong connection with the battery	Check the power cable Check the connections (tool and battery). Clean them with compressed air if necessary Repeat the operation if necessary
	The LEDs are on "steady"	Faulty control	<ul style="list-style-type: none"> • Turn the battery off • Unplug the power cable and plug it again • Restart the battery
		Safety at start up	Check that the security key is correctly inserted
		Cutter housing blocked	<ul style="list-style-type: none"> • Turn the battery off • Clean the inside of the housing. • Restart the battery
		Internal fault	Contact your approved distributor

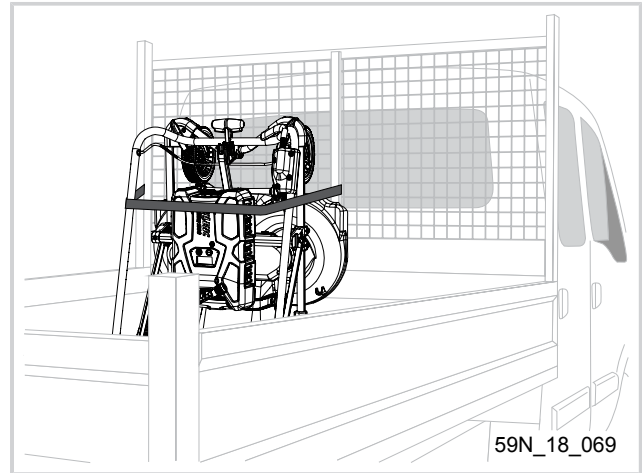
Problem	Check	Probable cause	Possible action
	The LEDs are on with a flashing error code	Mower safety shut down (immobilizer)	Move the mower to a slope or tilt of less than 20°
The lawn mower tries and fails to start.		Cutter housing blocked	<ul style="list-style-type: none"> • Turn the battery off • Clean the inside of the housing. • Restart the battery
The lawn mower stops and starts	The LEDs light-up intermittently	The On/Off switches are defective	Contact your approved distributor
	The LEDs are always on	Cutter housing clogged	<ul style="list-style-type: none"> • Turn the battery off • Clean the inside of the housing. • Restart the battery
		Damaged power cords	Contact your approved distributor
The lawn mower is not cutting grass properly		Grass is too high	Increase the cutting height
		Cutter housing blocked	<ul style="list-style-type: none"> • Turn the battery off • Clean the inside of the housing. • Restart the battery
		Collecting bin full	Empty the collecting bin
		Turning speed of the blades is too low	Increase the turning speed of the blades
		Damaged or blunt blades	Sharpen or replace the blades
		Blades mounted upside down	Refit the blades in the correct direction
		Retaining pins broken	Replace broken pins with new pins
Turning speed of the blades is too low	Rotational speed < 2500 rpm	Current settings are not suitable for mowing	<ul style="list-style-type: none"> • Increase the cutting height • Reduce the forward speed of the mower
The lawn mower stops	The LEDs are on with a flashing error code	The lawn mower has overheated	<ul style="list-style-type: none"> • Allow the lawn mower to cool down • Reduce the forward speed of the mower • Increase the cutting height of the mower

Problem	Check	Probable cause	Possible action
		Density sensor clogged	<ul style="list-style-type: none"> • Switch to manual mode or • Switch off the battery / Clean the optical sensor with water and a wet cloth / Turn the battery back on
	The display is not powered	The battery is flat	Recharge the battery using the battery charger
The battery beeps then goes off	1 long beep + 1 short beep	Power surge alarm	Grass too high or too dense
	1 long beep + 1 short beep	Lawn mower temperature alarm	Allow the lawn mower to cool down
	1 long beep + 3 short beeps	Over voltage or under voltage alarm	Battery flat or damaged
	1 long beep + 4 short beeps	Blockage safety alarm	Turn off the battery / unblock the blades and/or clean the housing / Restart the battery
	1 long beep + 5 short beeps	Motor alarm	Contact your approved distributor
	1 long beep + 6 short beeps		Trigger alarm
Key alarm			Security key missing, put the key back in the slot

8. STORAGE AND TRANSPORT

8.1. FOLD THE MOWER INTO THE TRANSPORT POSITION

- Remove and safely store the security key.
- Check that the battery (20) is off, power switch to '0' (ULIB 400/700/1100 battery) or battery power icon is off (750/1200/1500 battery).
- Disconnect the battery from the mower.
- Lock the transport brake.
- To reduce the bulk of the mower in transport, fold back the handlebar (1) Repeat the procedure in reverse ???.

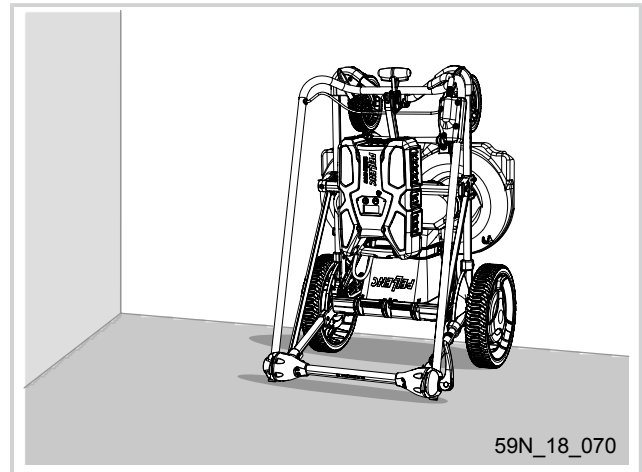


Warning

Always make sure the battery (20) is turned off before folding the handlebar (1).

8.2. STORAGE

- Store the lawn mower in a dry, sheltered place.
- Remove and safely store the security key.
- Check that the battery (20) is off, power switch to '0' (ULIB 400/700/1100 battery) or battery power icon is off (750/1200/1500 battery).
- Disconnect the battery from the mower.
- To reduce the bulk of the mower in transport, fold back the handlebar (1) Repeat the procedure in reverse Section 4.1, "Unfold the mower into the working position".



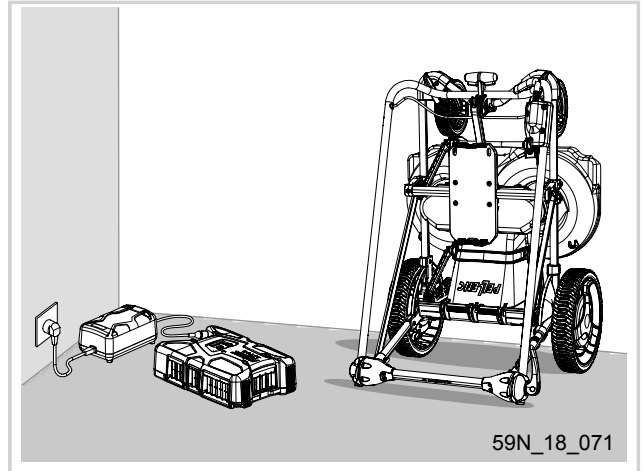
Warning

Always make sure the battery (20) is turned off before folding the handlebar (1).

8.3. OFF-SEASON STORAGE

Before stowing the lawn mower for the winter, remember to have it serviced by an Approved Specialist.

- Check that the battery (20) is off, power switch to '0' (ULIB 400/700/1100 battery) or battery power icon is off (750/1200/1500 battery).
- Disconnect the battery from the mower.
- Remove the battery from its tray.
- Check that the battery (20) is off, power switch to '0' (ULIB 400/700/1100 battery) or battery power icon is off (750/1200/1500 battery).
- Disconnect the battery from the mower.
- Remove the battery from its tray.
- To reduce clutter space during storage, fold the mower back into the transport position (repeat the procedure Section 4.1, "Unfold the mower into the working position" in reverse.)
- Recharge the battery using its charger following the instructions in the user manual.
- Store the battery in a frost-free place.
- Recharge the battery using its charger following the instructions in the user manual.
- Store the battery in a frost-free place.

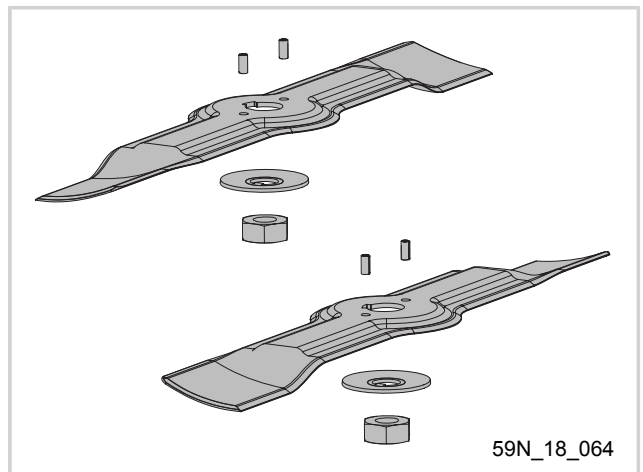


Note

Have your lawn mower serviced every 200 hours or at least once a year. Always make sure the mower is clean and the battery charged before storage.

9. ACCESSORIES AND CONSUMABLES

1. Rasion blade cleaning kit, collection, ref.: 131404 (series)
2. Rasion blade maintenance kit, universal, ref.: 134104
3. Collection bin, ref.: 120270
4. Mulching kit, ref: 57154
5. ULIB 400 battery support kit, ref: 135162
6. ULIB 700/1100 battery support kit, ref: 139589
7. 750/1200/1500 battery support kit, ref: 135597
8. Alpha 520 battery support kit, ref: 135443
9. ULIB 400/700/1100 adapter cable, ref: 145489
10. ULIB 400/700/1100 protection kit ref: 135454
11. 1500 adapter for battery 700/1100, ref: 120394
12. Security key with ring, ref.: 130424



10. GENERAL WARRANTIES

10.1. STATUTORY WARRANTY

10.1.1. LATENT DEFECTS WARRANTY

Apart from the commercial warranty provided for under Article II, Article 1641 of the Civil Code provides that "the seller is bound to a warranty on account of latent defects of the object sold which render it unfit for the use for which it was intended, or which would impair said use to the extent that the buyer would not have acquired it, or would only have given a lesser price for it, had he known of them".

Article 1648 of the Civil Code "The action resulting from latent defects must be brought by the purchaser within two years after the discovery of the defect. "

10.1.2. LEGAL WARRANTY OF CONFORMITY

Article L.217-4 of the Consumer Code "The seller delivers goods in conformity with the contract and is liable for defects of conformity existing upon delivery.

The seller is also liable for any lack of compliance resulting from the packaging, assembly or installation instructions whenever its contractual liability is engaged in this regard or the latter are carried out under its responsibility

Article L.217-5 of the French Consumer Code "Goods are compliant with the contract":

1. Where they are fit for the purpose normally expected of similar goods and, where applicable:
 - If it matches the description given by the seller and possesses the qualities that were presented to the purchaser in the form of a sample or model;
 - If it possesses the qualities that a purchaser can reasonably expect given the public statements made by the seller, the producer or its representative, especially in advertising or labelling;
2. Or, if it has the characteristics defined by mutual agreement of the parties or is fit for any particular purpose that the buyer made known to the seller and that the latter accepted.

Article L.217-12 of the Consumer Code "legal action resulting from lack of conformity lapses two years after delivery of the goods".

10.2. COMMERCIAL WARRANTYPELLENC

10.2.1. CONTENT

- 10.2.1.1. GENERAL INFORMATION

In addition to legal warranties, client users benefit from the commercial warranty on products PELLENC covering the exchange and replacement of parts recognised out of use, caused by machining defects, assembly defects or material defects, whatever the cause.

The warranty is fully integral to the product sold by PELLENC.

- 10.2.1.2. SPARE PARTS

The commercial warranty also covers original PELLENC spare parts, excluding labour and to the exclusion of certain parts of each product provided at delivery.

10.2.2. DURATION OF THE WARRANTY

- 10.2.2.1. GENERAL INFORMATION

PELLENC Products are guaranteed under the commercial warranty as from delivery to the customer for a period of two (2) years for products connected to a PELLENC battery, and for a period of one (1) year for other PELLENC products.

- 10.2.2.2. SPARE PARTS

PELLENC Spare parts replaced under the product warranty are guaranteed under the commercial warranty as from delivery of the PELLENC product to the customer for a period of two (2) years for products connected to a PELLENC-battery, and for a period of one (1) year for other PELLENC products.

In the case of products connected to a PELLENC battery, parts that are replaced in the under the product warranty after the 12th month of use, are covered for a period of one (1) year.

- 10.2.2.3. WARRANTY EXCLUSIONS

Excluded from the commercial warranty are products that have been subject to abnormal use, or were used under conditions and for purposes other than those for which they were manufactured, especially in the case of non-compliance with conditions stipulated in this user manual.

It does not apply in case of shock, fall, neglect, lack of supervision or maintenance or in case of transformation of the product. Also excluded from the warranty are products that have been subject to tampering, alteration or modification by the client user.

Wear parts and/or consumables cannot be covered by the warranty.

10.2.3. IMPLEMENTATION OF THE COMMERCIAL WARRANTY

- 10.2.3.1. PRODUCT COMMISSIONING AND COMMISSIONING DECLARATION

The DISTRIBUTOR undertakes to complete the computer commissioning declaration form, no later than eight days after the delivery of the property to the user customer, in order to activate the latter on the www.pellenc.com website under "warranties and training" in the "extranet" menu, using the identifier previously provided to them by PELLENC.

Failing that, commissioning declaration will not be effective and implementation of the commercial warranty PELLENC will not occur. As a consequence thereof, the DISTRIBUTOR must ensure the financial burden of its intervention under the warranty without being able to pass on the cost to the client user.

The DISTRIBUTOR shall also undertake to complete the warranty card or the certificate of warranty and commissioning for self-propelled equipment provided with the product after having the client user sign and date it.

10.3. PAID AFTER-SALES SERVICE

10.3.1. GENERAL INFORMATION

Malfunctions, breakdowns, breakages resulting from misuse, neglect or improper maintenance by the client user as well as malfunctions resulting from normal wear of the product are subject to the payment of after-sales service, even during the period of the legal and commercial warranty. After-sales service repairs that fall outside of the legal and

commercial warranty also include maintenance, adjustments, diagnostics of all types, and cleaning without the present list being exhaustive.

10.3.2. WEAR PARTS AND CONSUMABLES

Wear parts and consumables also fall within the after-sales service.

10.3.3. SPARE PARTS

Paid after-sales service also covers original PELLENC spare parts, excluding labour and outside the legal and commercial warranty period.

In case of replacement of original PELLENC spare parts in the context of after-sales service, said latter are covered by a warranty of one year as from the installation date.

11. "EC" DECLARATION OF CONFORMITY: RASION 2

MANUFACTURER	PELLENC
ADDRESS	Quartier Notre-Dame - 84120 Pertuis (France)
ENTITY AUTHORIZED TO COMPILE THE TECHNICAL FILE	PELLENC
ADDRESS	Quartier Notre-Dame - 84120 Pertuis (France)

We hereby declare that the machine referred to below as:

GENERIC DENOMINATION	Lawn mower	
FUNCTION	Lawn mowing	
COMMERCIAL NAME	RASION 2	
TYPE	RASION 2	
MODEL	EASY	SMART
SERIAL No.	59S00001 - 59S49999 59T00001 - 59T49999 59U00001 - 59U49999	

Complies with the provisions of the following European directives:

- 2006/42/EC Machine Directive
- 2014/30/EU EMC Directive
- 2011/65/EU ROHS Directive
- 1907/2006 REACH Regulation
- 2012/19/EU WEEE Directive

The following harmonized European standards have been used in whole or in part:

- EN ISO 60335-1
- EN ISO 60335-2-77

Sound level at maximum speed:

Symbol	Value	Unit	Reference	Remark
LWAm		dB(A)		Measured sound power level
LWAg		dB(A)		Guaranteed sound power level

The measured noise level and the guaranteed noise level were measured according to a procedure in accordance with Directive 2000/14 / EC Annex V.

WRITTEN IN PERTUIS, DATED 25/02/2019
JEAN-MARC GIALIS
CEO



PELLENC

   www.pellenc.com

PELLENC
Quartier Notre Dame - 84120 Pertuis (France)

