

ENG

Translated from original
operating instructions manual



PRUNING SHEARS M32C



Operating instructions

26_192037-A
09/2024

READ THE USER OPERATING GUIDE CAREFULLY BEFORE USE

TABLE OF CONTENTS

1. INTRODUCTION	5
2. SECURITY	6
2.1. INTENDED USAGE	6
2.2. GENERAL SAFETY INSTRUCTIONS FOR THE ELECTRICAL TOOL	6
2.2.1. WORK AREA SAFETY	6
2.2.2. ELECTRICAL SAFETY	6
2.2.3. PERSONAL SAFETY	7
2.2.4. USE AND CARE OF THE POWER TOOL	7
2.2.5. BATTERY TOOL USE AND CARE	7
2.2.6. MAINTENANCE	8
2.2.7. MANAGEMENT OF THE RECYCLING AND RECOVERY OF WASTE FROM YOUR TOOL	8
2.3. SAFETY MEASURES RELATED TO THE USE OF THE BATTERY AND THE CHARGER PELLENC	8
2.4. SAFETY WARNINGS FOR BATTERY-POWERED SHEARS	8
2.5. SAFETY MEASURES ASSOCIATED WITH BATTERY USE	8
2.6. SAFETY MEASURES WHEN USING THE "PELLENC" CHARGER	9
2.7. SAFETY SIGNAGE	10
2.8. PERSONAL PROTECTION EQUIPMENT	10
3. DESCRIPTION AND TECHNICAL CHARACTERISTICS	11
3.1. DESCRIPTION OF THE TOOL	11
3.2. TECHNICAL FEATURES	11
3.2.1. GENERAL CHARACTERISTICS OF THE TOOL	11
4. START-UP	12
4.1. CONTENT OF THE CARRY-CASE	12
4.2. CONNECTING THE BATTERY TO THE TOOL	12
4.3. DISCONNECTING THE BATTERY FROM THE TOOL	12
5. USING THE TOOL	12
5.1. GETTING STARTED	13
5.2. STANDBY MODE AND BLADE LOCK	13
5.3. HALF-OPENING MODE	13
5.4. PROGRESSIVE MODE	14
5.5. LCD SCREEN	14
6. SWITCHING OFF THE PRUNING SHEARS	14
7. MAINTENANCE	15
7.1. FREQUENCY OF OPERATIONS	15
7.2. MAINTENANCE ADVICE	15
7.3. CHECK	16

7.3.1. VISUAL CHECK OF THE GENERAL CONDITION OF THE TOOL	16
7.3.2. CHECKING THE OPERATING TRIGGER	16
7.4. SHARPENING THE BLADE	16
7.5. GREASING THE BLADE	17
7.6. CLEANING THE TOOL	18
7.7. CHANGING BLADE OR SHAFT	18
8. INCIDENTS AND TROUBLESHOOTING	21
8.1. TABLE OF INCIDENTS AND BREAKDOWNS	21
9. STORAGE AND TRANSPORT	22
9.1. STORAGE	22
10. ACCESSORIES AND CONSUMABLES	22
10.1. ACCESSORIES INCLUDED	22
10.2. OPTIONAL ACCESSORIES	22
10.3. CONSUMABLES	22
11. GENERAL WARRANTIES	22
11.1. STATUTORY WARRANTY	22
11.1.1. LATENT DEFECTS WARRANTY	22
11.1.2. LEGAL GUARANTEE OF CONFORMITY	23
11.2. PELLENC COMMERCIAL WARRANTY	23
11.2.1. CONTENTS	23
11.2.2. DURATION OF WARRANTY	23
11.2.3. IMPLEMENTATION OF THE COMMERCIAL WARRANTY	24
11.3. PAID AFTER-SALES SERVICE	24
11.3.1. GENERAL INFORMATION	24
11.3.2. WEAR PARTS AND CONSUMABLES	24
11.3.3. SPARE PARTS	24
12. STATEMENT  OF COMPLIANCE: M32C	25
13. UK DECLARATION OF CONFORMITY  : M32C	26

1. INTRODUCTION

Dear Customer,

Thank you for purchasing your Pruning shears M32C. Properly used and maintained, this equipment will give you years of satisfaction.



Warning

In accordance with product liability laws, we are not responsible for damage caused by our product if the product includes an accessory that is not from the manufacturer or is not approved by the manufacturer. The use of any other accessory may increase the risk of injury.



Warning

Your device contains numerous recoverable or recyclable materials. Return it to your dealer or, failing this, to an approved servicing centre to be treated.



Comply with the regulations in force in your country as concerns environmental protection associated with your activity.



Warning

It is imperative that you read through the ENTIRE user's manual guide before using or servicing the tool. Always comply with the instructions and illustrations in the manual.


Throughout the user's manual guide you will find advisory notes and information entitled: NOTE, IMPORTANT, ATTENTION and WARNING.

Points marked "NOTE" indicate additional information.

Points marked "IMPORTANT" warn the user of a potential risk for the equipment.

Points marked "CAUTION" warn the user of a potentially hazardous situation which if not avoided may result in minor injuries.

Points marked "WARNING" warn the user of a potentially hazardous situation which if not avoided may result in serious injury or death.

The warning  indicates that damage resulting from failure to comply with the procedures and instructions is not covered by the warranty and the owner will be liable for any repair costs.

Safety signs on the tool also indicate the safety precautions to be observed. Locate these signs and read them before using your machine. Any partially illegible or damaged sign should be replaced immediately.

Refer to 2.7. Safety signage, page 10 for the location diagram of the safety stickers affixed to the tool.

No part of this manual may be reproduced without the written permission of the PELLENC company. The illustrations provided in this manual are for information purposes only and are in no way contractual. The PELLENC company reserves the right to make any modification or improvement to its products as deemed necessary without informing customers already in possession of a similar model. This manual forms an integral part of the tool and must accompany the tool if it changes hands.

2. SECURITY

2.1. INTENDED USAGE

- The Pruning shears M32C is intended for vineyard, fruit-tree, olive-growing and landscape maintenance pruning up to a diameter of 32 mm.
- The Pruning shears M32C must be operated from the ground or a suitable fully stable and secure platform.
- The Pruning shears M32C is only intended for outdoor use.
- Only original or manufacturer approved spare parts (e.g. blade kit, maintenance kit) may be fitted to the Pruning shears M32C.
- Any other use of this tool is not intended.
- The company PELLENC accepts no responsibility for any damage caused by improper or unspecified use different from its original intention.
- The user is responsible for any accident resulting from improper use or unauthorized modification of this tool.
- The company PELLENC accepts no responsibility for any damage caused by the use of non-original parts or accessories.

2.2. GENERAL SAFETY INSTRUCTIONS FOR THE ELECTRICAL TOOL



Warning

Read all safety warnings, instructions, illustrations and specifications provided with this power tool. Failure to follow the warnings and instructions may result in electric shock, fire and/or serious injury.

Note

Retain all the safety measures and instructions for later reading.

The term "power tool" in the safety warnings refers to your battery-powered electric tool (without power cord).

2.2.1. WORK AREA SAFETY

1. **Keep the work area clean and well lit.** Cluttered or dark areas invite accidents.
2. **Do not operate power tools in an explosive atmosphere, for example in the presence of flammable liquids, gases, or dust.** Power tools create sparks, which can ignite dust or fumes.
3. **Keep children and bystanders away while operating the power tool.** Distractions can cause you to lose control of the tool.

2.2.2. ELECTRICAL SAFETY

1. **Power tool plugs must match the outlet. Never modify the plug in any way. Do not use adapter plugs with earthed (grounded) power tools.** Unmodified plugs and matching outlets will reduce risk of electric shock.
2. **Avoid body contact with earthed or grounded surfaces, such as pipes, radiators, ranges and refrigerators.** There is an increased risk of electric shock if your body is in direct contact with the ground.
3. **Do not expose power tools to rain or damp conditions.** Water entering a power tool will increase the risk of electric shock (Except for tools for which an "IP" index is specified).
4. **Do not abuse the cord. Never use the cord for carrying, pulling or unplugging the power tool. Keep cord away from heat, oil, sharp edges, and moving parts.** Damaged or entangled cords increase the risk of electric shock.
5. **Use an extension cord suitable for outdoor use when operating power tools outdoors.** Use a cord suitable for outdoors to reduce the risk of electric shock.
6. **If operating a power tool in a damp location is unavoidable, use a residual current device (RCD) protected supply.** Use of an RCD reduces the risk of electric shock.

2.2.3. PERSONAL SAFETY

1. **Stay alert, watch what you are doing, and use common sense when operating a power tool. Do not use a power tool when you are tired or under the influence of drugs, alcohol, or medication.** A moment of inattention when using a power tool can result in serious personal injury.
2. **Use personal protective equipment. Always wear eye protection.** Protective equipment such as dust mask, non-skid safety shoes, hard hat, or hearing protection used for appropriate conditions will reduce personal injuries.
3. **Prevent unintentional starting. Make sure the switch is in the off position before you connect the tool to the power source and/or battery pack, pick it up, or carry it.** Carrying power tools with your finger on the switch or plugging in power tools with the switch in the on position can cause accidents.
4. **Remove any adjusting wrench before switching the electric tool on.** A wrench or a key left attached to a rotating part of the power tool may result in personal injury.
5. **Do not overreach. Keep proper footing and balance at all times.** This enables better control of the power tool in unexpected situations.
6. **Dress properly. Do not wear loose clothing or jewelry. Keep your hair and clothing away from moving parts.** Loose clothes, jewellery or long hair can get caught in moving parts.
7. **If devices are provided for the connection of dust extraction and collection facilities, ensure that these are connected and properly used.** Use dust collectors to reduce the risk caused by dust.
8. **Do not let familiarity gained from frequent use of tools allow you to become complacent and ignore tool safety principles.** A moment of inattention can result in serious personal injury.

2.2.4. USE AND CARE OF THE POWER TOOL

1. **Do not force the power tool. Use the correct power tool for your application.** The correct power tool will do the job better and safer at the rate for which it was designed.
2. **Do not use the power tool if the switch does not turn it on and off.** Power tools that cannot be controlled by a switch are dangerous and must be repaired.
3. **Disconnect the plug from the power source and/or remove the battery pack, if detachable, from the power tool before making any adjustments, changing accessories, or storing power tools.** Such preventive safety measures reduce the risk of starting the power tool accidentally.
4. **Store idle power tools out of the reach of children and do not allow persons unfamiliar with the power tool or these instructions to operate the power tool.** Power tools are dangerous in the hands of untrained users.
5. **Maintain power tools and accessories. Check for misalignment or binding of moving parts, breakage of parts and any other condition that may affect the power tool's operation. If damaged, have the power tool repaired before use.** Many accidents are due to poorly maintained power tools.
6. **Keep the cutting tools sharp and clean.** Properly maintained cutting tools with sharp cutting elements are less likely to jam and are easier to control.
7. **Use the power tool, accessories, blades, etc. in accordance with these instructions, taking into account the working conditions and the work to be done.** Using the power tool for operations other than those specified can result in hazardous situations.
8. **Handles and gripping surfaces must be kept dry, clean and free from oils and grease.** Slippery handles and grasping surfaces do not allow for safe handling and control of the tool in unexpected situations.

2.2.5. BATTERY TOOL USE AND CARE

1. **Recharge only with the charger specified by the manufacturer.** A charger that is suitable for one type of battery pack may create a risk of fire when used with another battery pack.
2. **Use power tools only with specifically designated battery packs.** Use of any other battery pack may create a risk of injury and fire.
3. **When battery pack is not in use, keep it away from other metal objects, like paper clips, coins, keys, nails, screws or other small metal objects, that can make a connection from one terminal to another.** Shorting the battery terminals together may cause burns or a fire.
4. **Under abusive conditions, liquid may be ejected from the battery; avoid contact. If contact accidentally occurs, flush with water. If liquid contacts eyes, additionally seek medical help.** Liquid ejected from the battery may cause irritation or burns.

5. **Do not use a battery pack or tool that is damaged or modified.** Damaged or modified batteries may exhibit unpredictable behaviour resulting in fire, explosion or risk of injury.
6. **Do not expose a battery pack or tool to fire or excessive temperature.** Exposure to fire or temperature above 130°C (or 265°F) may cause explosion.
7. **Follow all charging instructions and do not charge the battery pack or tool outside the temperature range specified in the instructions.** Charging improperly or at temperatures outside the specified range may damage the battery and increase the risk of fire.

2.2.6. MAINTENANCE

1. **Have the power tool serviced by a qualified technician, using only identical spare parts.** This will ensure that the safety of the power tool is maintained.
2. **Never service damaged battery packs.** Service of battery packs should only be performed by the manufacturer or authorized service providers.

2.2.7. MANAGEMENT OF THE RECYCLING AND RECOVERY OF WASTE FROM YOUR TOOL

1. **When the tool reaches the end of its life, PELLENC provide the end-of-life sheet of the equipment.** The end-of-life sheet provides instructions for safely removing components.

2.3. SAFETY MEASURES RELATED TO THE USE OF THE BATTERY AND THE CHARGER PELLENC

Note

See the operating instructions for the battery.



Warning

Read all safety warnings and all instructions. Retain all the safety measures and instructions for later reading.

2.4. SAFETY WARNINGS FOR BATTERY-POWERED SHEARS

This device is not intended for use by individuals (including children) with reduced physical, sensory or mental capabilities, nor by anyone lacking in experience or knowledge, except if they are supervised or have received prior instructions from a person responsible for their safety.

1. Never modify the connector in any way whatsoever.
2. This tool may cause severe injuries. Carefully read the instructions regarding the proper handling, operation, maintenance, startup and stopping the shears. Familiarize with all its controls and proper use.
3. When the tool is not in use, always remove the battery (the LED on the tool must be off).
4. Do not leave the tool in the ground or exposed to the weather.
5. Make sure that the blade is not in contact with any object before starting the tool.
6. Never use the tool if it is damaged, incorrectly set or incompletely assembled.
7. Never disconnect the battery from the tool without first switching the tool off.
8. Do not disassemble the tool.
9. Do not try to cut pieces of wood that are too large or other materials than wood.
10. Please test the tool before use to check that it is working properly.

2.5. SAFETY MEASURES ASSOCIATED WITH BATTERY USE

1. If not using the battery unit, store it away from other metal objects such as paper clips, coins, keys, nails, screws or other such small metal items that might form a connection between the two terminals. Creating a short circuit between the battery terminals can result in burns or even a fire.

2. Keep the battery out of the reach of children and place it on a non-combustible support.
3. Do not interfere with its cooling cycle.
4. Do not use or leave the battery near a heat source (> 60°C).
5. Do not leave the battery in direct, strong sunlight.
6. Do not expose the battery to microwaves or high pressure.
7. Do not immerse the battery in water.
8. The battery should be charged indoors in a dry, ventilated room at a temperature of between 10°C and 25°C maximum, protected from humidity.
9. Over time, the capacity of your battery decreases. When it reaches half of its original battery-life operating autonomy, it should be replaced.
10. The battery may lose 1 to 4 % of its capacity when exposed to a temperature higher than or equal to 55 °C for one week.
11. The charging location must be equipped with a class D fire extinguisher (for metal fire) in good working order.
12. The standards in effect must be complied with when either shipping a complete tool or a battery.
 - Complete tool with battery: product classified UN3481 class 9.
 - Battery alone: product that is classified as class 9, UN3480.
13. Use of a battery other than that provided by Pellenc SA is dangerous (risk of serious injury). If a different battery is used, Pellenc SA cannot be held responsible for any consequences.
14. The battery must be protected from any impact and must be positioned and secured appropriately during transportation.
15. In the case of suspicious smoke, place the battery outside the charging area or transportation vehicle as far away as possible from any inflammable material.
16. Never store a battery when its capacity is below 50 %. Recharge the battery before storage if the value is below 50%.
17. Under inappropriate conditions, liquid may leak from the batteries; avoid contact. In the event of accidental contact, rinse with water. In the event of contact with eyes, seek professional medical help. The liquid leaking from the batteries can cause irritations or burns.
18. Pellenc power tools must only be used with the battery units designed for the purpose. Use of other battery units can present a risk of injury and fire.
19. Recharge only with the charger specified by the manufacturer. A charger suitable for one type of battery pack may present a risk of fire if used with another type of battery pack.
20. Do not use the battery for any purpose other than that initially envisaged (exclusively for use with Pellenc tools).
21. At the end of its life, the battery must be returned to the authorized distributor from whom it was purchased to be recycled in accordance with waste regulations.
22. Fragile case, contains an electronic board and lithium.

2.6. SAFETY MEASURES WHEN USING THE "PELLENC" CHARGER

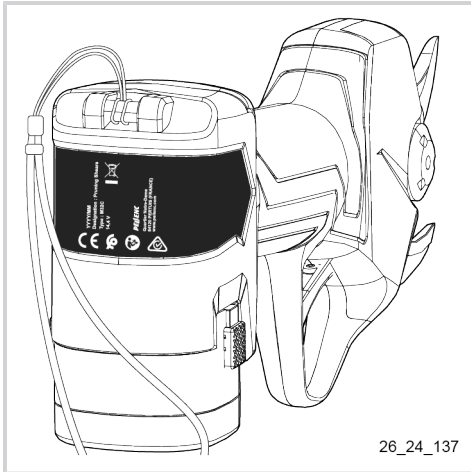
1. When in operation, the charger's temperature can reach 60°C. No flammable material must be within 1.5 metres of the charger and battery.
2. Place the charger out of children's reach and onto a non-combustible support.
3. Do not interfere with its cooling cycle.
4. The charger is intended only for recharging the battery. Do not charge non-rechargeable batteries.
5. The charging location must be equipped with a class D fire extinguisher (for metal fire) in good working order.
6. If the outlet cord is cut or damaged, the complete charger must be returned to the authorized distributor from which the tool was purchased in order to avoid any danger.
7. Only recharge using the "PELLENC" charger indicated by the manufacturer. A charger suitable for one type of battery pack may present a risk of fire if used with another type of battery pack.
8. This charger is designed to charge Pellenc tool lithium batteries.
9. Do not use it for any other purposes.
10. Children must be supervised to ensure they do not play with the charger.
11. Check that the cable cannot be bent and that it does not touch hot surfaces or sharp edges.
12. Ensure good ventilation during the charging.
13. Never cover the charger. This charger must not be used outdoors.
14. Make sure the power connector is not exposed to water.
15. Never attempt to charge a damaged battery.
16. The grid connection must comply with national electrical regulations.
17. Check the wiring of the charger before use. Never use the charger if the cable is damaged

18. When the battery is charging, place the charger on a non-flammable support, more than 1.5 m away from any flammable object.

2.7. SAFETY SIGNAGE



Sharp cutting tool: Keep your hands away from the blade.



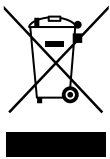
Please read the operating instructions.
Read the instructions carefully and follow the safety precautions.



Tool compliant with EC standards.



Tool compliant with Moroccan standards.



Waste electrical and electronic equipment.

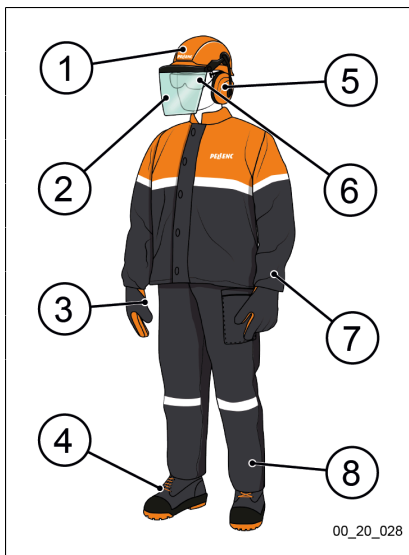
At the end of its life, the tool and the battery must be returned to the authorised dealer from whom they were purchased to be recycled in accordance with waste regulations.



Regulatory Compliance Mark (RCM).

The product complies with the regulatory requirements of Australia and New Zealand for electrical safety, electromagnetic compatibility, radio frequency.

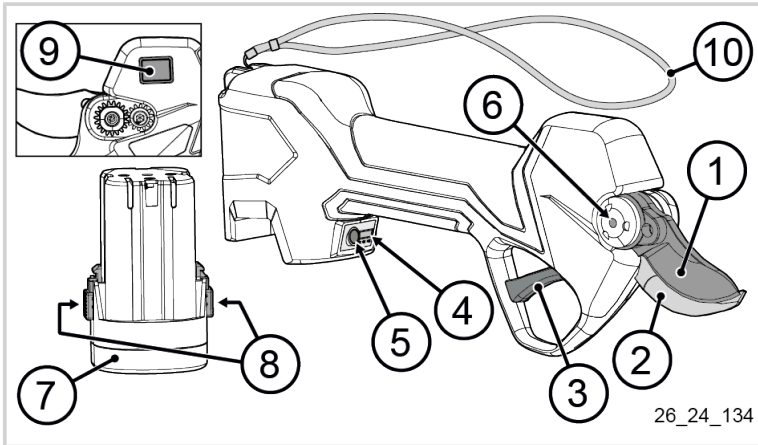
2.8. PERSONAL PROTECTION EQUIPMENT



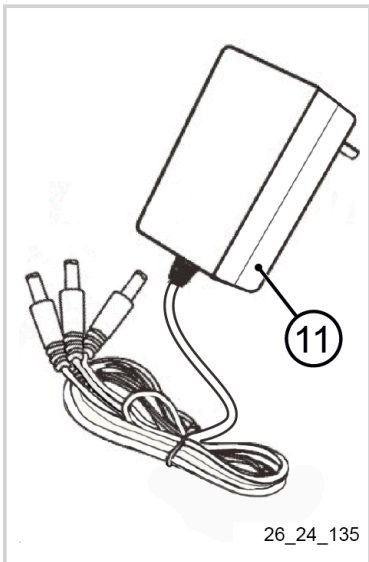
	Equipment	Wear
1	Safety helmet	--
2	Protective visor	--
3	Hard-wearing gloves	Recommended
4	Safety footwear	Mandatory
5	Hearing protection	--
6	Protective glasses	Recommended
7	Safety jacket or over-sleeves	--
8	Work trousers	--

3. DESCRIPTION AND TECHNICAL CHARACTERISTICS

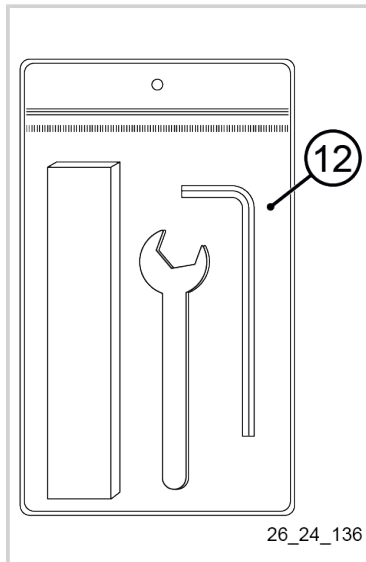
3.1. DESCRIPTION OF THE TOOL



- 1. Moving blade
- 2. Fixed blade
- 3. Trigger
- 4. LED charge level indicator
- 5. Power button
- 6. Lubrication hole
- 7. Battery
- 8. Release buttons for battery removal
- 9. LCD screen
- 10. Strap

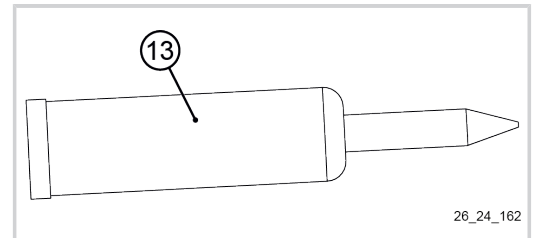


26_24_135



26_24_136

- 11. Charger
- 12. Accessories:
 - Wrenches
 - Sharpening stone
- 13. Grease gun



26_24_162

3.2. TECHNICAL FEATURES

3.2.1. GENERAL CHARACTERISTICS OF THE TOOL

Model	M32C
Diameter	0 to 32 mm
Total weight	955 g
Operating temperature	14 °F – 140 °F / -10 °C to 60 °C
Operating voltage	14.4 V
Lithium battery	14.4 V / 2.6 Ah
Charging voltage	110 V to 220 V CA
Charging time	2 hrs
Operating time	2 to 4 hrs

4. START-UP

Note

For more information on the use of the battery, refer to the battery operating instructions.

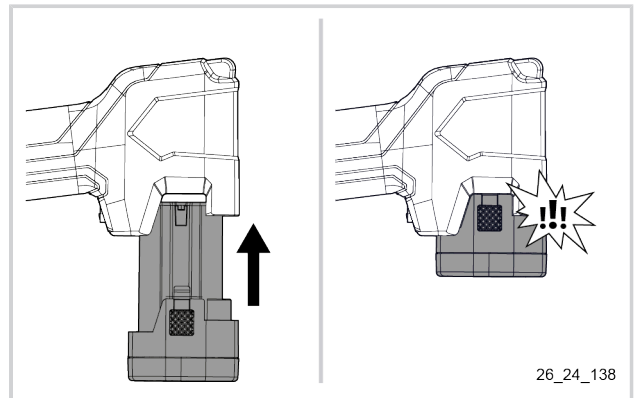
4.1. CONTENT OF THE CARRY-CASE

Check that the tool is delivered with:

- 1 M32C pruning shears
- 2 x M32C batteries
- 1 x 3-way charger
- 1 operating instructions manual
- 2 wrenches
- 1 sharpening stone
- 1 grease gun

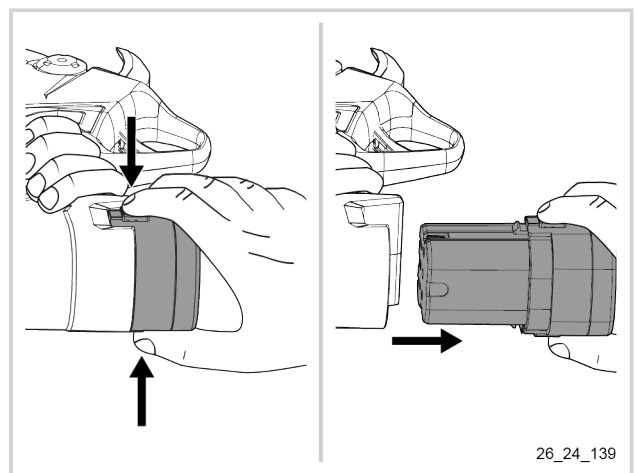
4.2. CONNECTING THE BATTERY TO THE TOOL

1. Check the tool and battery connectors for contamination.
2. Insert the battery the right way round: the battery charging connector should point towards the rear.
3. Push the battery in until you hear it click into place.



4.3. DISCONNECTING THE BATTERY FROM THE TOOL

1. Press the battery release buttons.
2. Disconnect the battery.



5. USING THE TOOL



Warning

- Never position your hands near the cutting area of the pruning shears while they are in use.

- Never touch charged objects with the pruning shears.
- Do not use or expose the pruning shears in the rain.

5.1. GETTING STARTED

1. Connect the battery to the tool. See 4.2. Connecting the battery to the tool, page 12.
2. Switch on the tool: press the power button until you hear a beep. The LED charge level indicator turns green.
3. Double-click the trigger to unlock the blade.
4. Before use, to check that the pruning shears and battery are working properly, pull the trigger to close and release the trigger to open the blades without cutting anything. Repeat this several times.

Note

The blade should be sharpened for the first time after the first half hour of use.

5.2. STANDBY MODE AND BLADE LOCK

This mode allows the blade to be held closed without using the switch.

To manually switch to standby mode and lock the blade:

- Press the trigger for 3 seconds until you hear 2 double beeps.

To exit standby mode and unlock the blade:

- Double-click the trigger.

Note

If the pruner is not used for 3 minutes, it will automatically go into standby mode.
After 10 minutes of inactivity, the tool will turn off completely.



Warning

This is not the same as turning off the tool, but helps you store it in a case. Take care and be attentive, because a movement (double click) of the trigger will open the blade.

5.3. HALF-OPENING MODE

The user can put the blade in half-opening mode at any time. This can be useful for cutting branches with a small diameter.

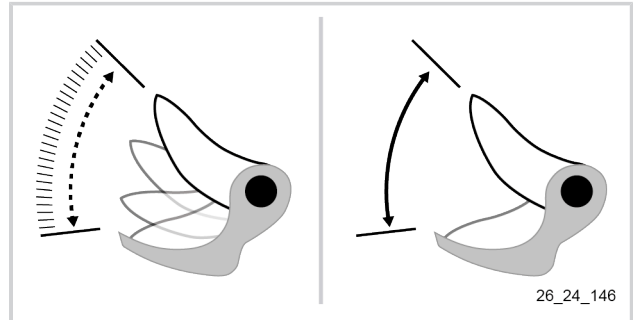
To activate the semi-opening mode, press and hold the trigger for 2 seconds until a double beep is heard. Release the trigger to continue working.

To return to full opening mode, follow the same procedure.

5.4. PROGRESSIVE MODE

The pruning shears can be used in progressive or non-progressive mode.

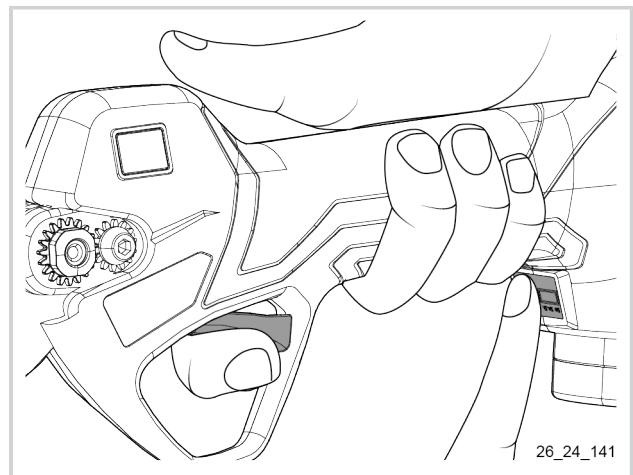
- Progressive cutting mode: The blade stroke corresponds to the extent of the trigger stroke.
- Non-progressive cutting mode: the blade closes automatically and completely as soon as the trigger is pressed.



To activate progressive mode:

1. Switch off the tool.
See 6. Switching off the pruning shears, page 14.
2. Hold the trigger and press the power button until you hear a double beep.
3. Release the trigger.

To return to the non-progressive mode, follow the same procedure.



5.5. LCD SCREEN

When the pruning shears are switched on, the LCD screen briefly displays the number of cuts made since the tool was manufactured in our factory. This number of cuts is displayed sequentially in a series of 5 digits.

After one second, the display displays the number of cuts made from the last time the pruning shears were turned on.

You can also see the battery charge level, as a percentage. This number may fluctuate during use and stabilizes after a few seconds of inactivity.

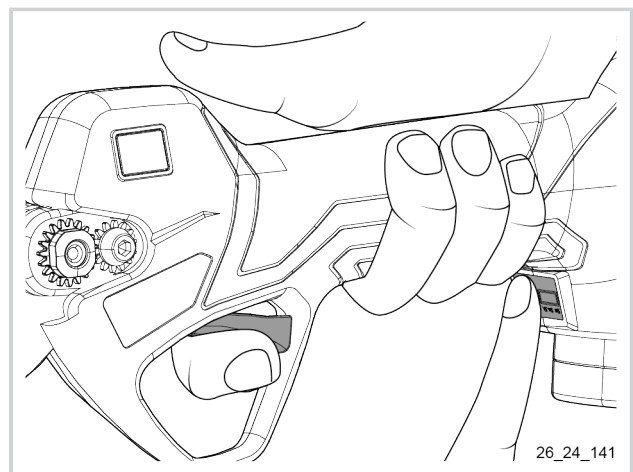
6. SWITCHING OFF THE PRUNING SHEARS

1. Press and hold down the trigger.

Note

Without this operation, the blade remains open even when the tool is switched off.

2. Press the power button. The LED charge level indicator goes out.
3. Release the trigger.



7. MAINTENANCE

7.1. FREQUENCY OF OPERATIONS



Caution

- All maintenance operations must be carried out with the battery disconnected from the tool, unless otherwise specified in the procedure.
- Use products recommended by PELLENC.
- In the event of any problem, consult an authorised PELLENC dealer.

Maintenance schedule

Operations	Frequency of operations			
	At each start-up ¹	Every 4 hours	Week-ly	After use
Visually check the general condition of the tool. See 7.3.1. Visual check of the general condition of the tool, page 16.	X			
Check the operating trigger. See 7.3.2. Checking the operating trigger, page 16.	X			
Check the sharpness of the blade. See 7.4. Sharpening the blade, page 16.				X
Clean the tool (blowing or brushing, not high pressure jet cleaning). See 7.6. Cleaning the tool, page 18.				X
Grease the blade. See 7.5. Greasing the blade, page 17.			X	
Check the battery charge level.	X			X
Have the tool checked by a PELLENC authorised dealer.	Important Have the machine serviced every 400 hours or at least once a year by a PELLENC authorised dealer. Always store the tool clean and in a dry place, with the battery charged.			
Changing the blade kit See 7.7. Changing blade or shaft, page 18.	EVERY 200 HOURS or as necessary to maintain a good quality cutting, replace the blade.			
Battery	Please refer to the battery operating instructions.			

7.2. MAINTENANCE ADVICE

If the cut is no longer clean and effortless, this means that the tool is consuming more energy than necessary. Check the following points:

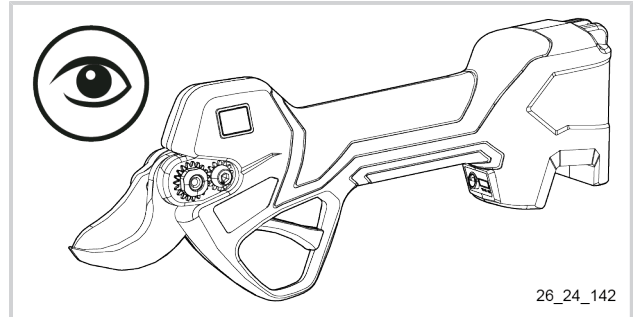
1. blade sharpening,
2. the tightness of the blade,
3. greasing of the blade pin,
4. general condition of the tool.

The operating time and service life of the pruning shears mainly depend keeping the blade properly sharpened and tightened.

7.3. CHECK

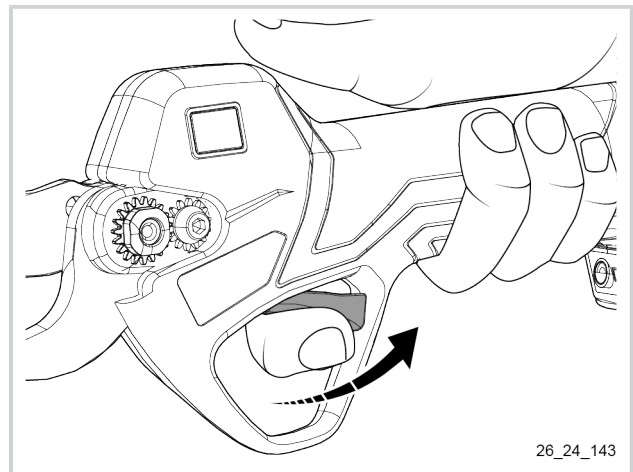
7.3.1. VISUAL CHECK OF THE GENERAL CONDITION OF THE TOOL

- Visually check the general condition of the tool.



7.3.2. CHECKING THE OPERATING TRIGGER

1. Check the operation and condition of the operating trigger.
2. Check that there are no physical obstructions (e.g. tape, collars, etc.) preventing or hindering the operation of the operating trigger.
3. Check the operation of the operating trigger by pressing it.



7.4. SHARPENING THE BLADE

Note

The blade should be sharpened for the first time after the first half hour of use.

This operation is essential because it determines the quality of the cut of the tool, guarantees the longevity of the blades and mechanical parts and preserves the autonomy of the battery.

The frequency of blade sharpening depends on:

- the wood being cut (hardness and diameter),
- the rate of pruning,
- the sharpening tool. A sharpening stone is supplied with your tool.

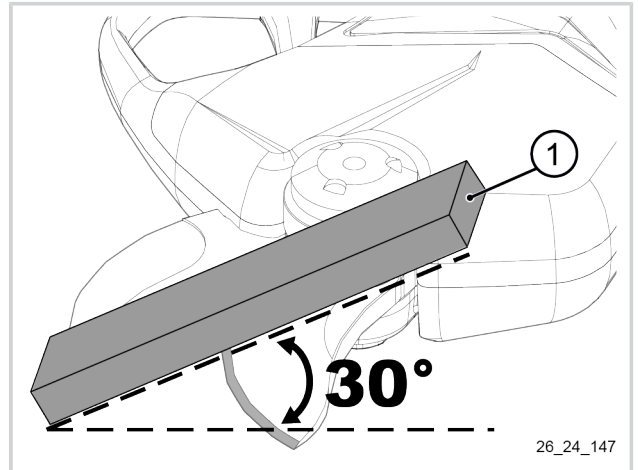
1. Open the tool blade to the largest diameter.
See 5.3. Half-opening mode, page 13.
2. Switch off the tool.
See 6. Switching off the pruning shears, page 14.
3. Disconnect the battery from the tool.

See 4.3. Disconnecting the battery from the tool, page 12.

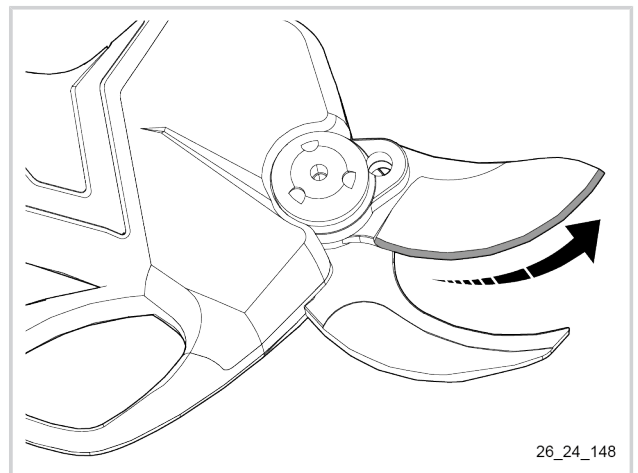
4. Pose the sharpening stone (1) onto the blade on the right-hand side of the tool.

Important

Incline the stone about 30° to match the edge of the blade perfectly.



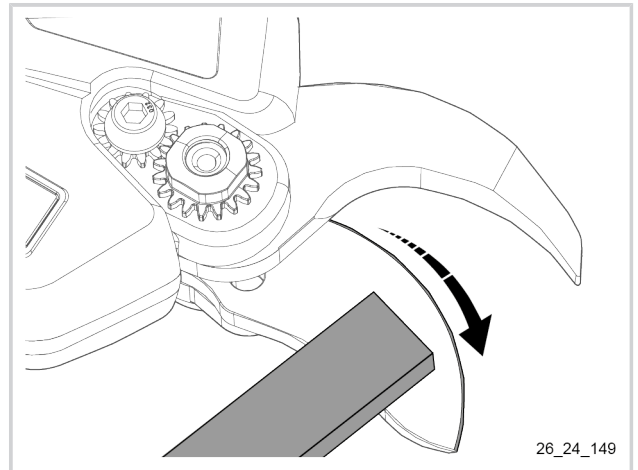
5. Renew only the 1st cutting angle from the inside to the outside until the burr is removed from the blade edge.



6. Turn the tool over.
7. Deburr the back of the blade just once, laying the sharpening stone flat from the interior to the exterior.


Important

It is imperative to remove the burr from the edge of the blade and to carry out the first refreshment within the first 15 minutes of use, then every 1 or 2 days maximum.

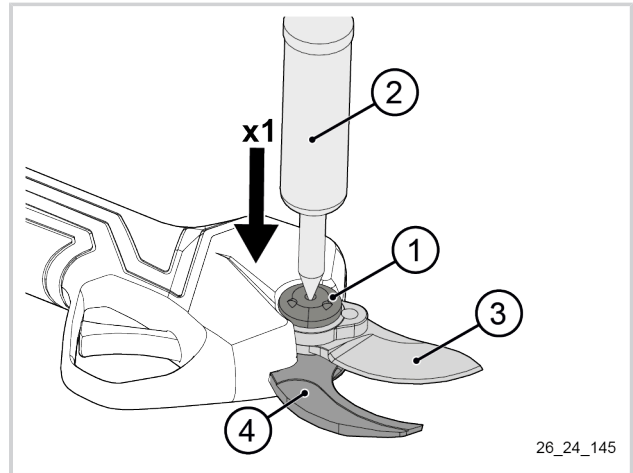


7.5. GREASING THE BLADE

Consumable:

Description	Reference	Illustration
Grease gun	68518	
Pellenc grease tube	170755	

1. Bring the grease gun (2) into contact with the blade axis of the tool (1) using a single press until the grease appears between the moving blade (3) and the fixed blade (4).
2. Remove the grease gun (2).



7.6. CLEANING THE TOOL

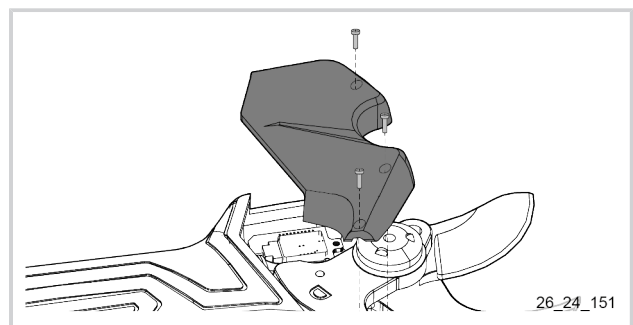
Avoid the formation of abrasive paste (oil + soil) as much as possible by frequent cleaning. To do so:

- Clean the front of the tool with a cloth and compressed air, avoid solvents such as: trichloroethylene, white spirit, petrol, etc.
- Grease the blade and blade pins lightly but often with the grease gun supplied, see 7.5. Greasing the blade, page 17.

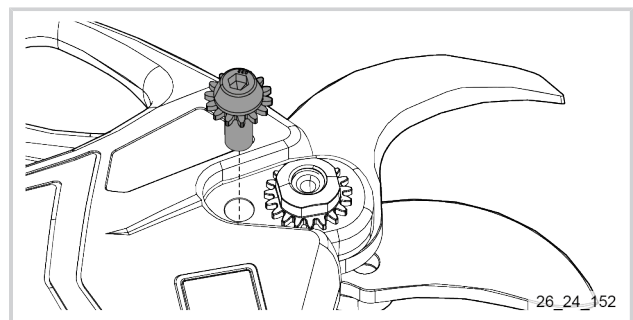
7.7. CHANGING BLADE OR SHAFT

If the moving blade no longer overlaps the fixed blade along its entire length, or if the pruning shears no longer cut cleanly after sharpening, we recommend that you replace the blade.

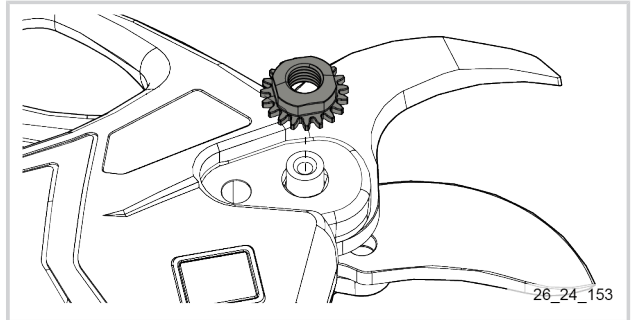
1. Open the blade fully.
See 5.3. Half-opening mode, page 13.
2. Switch off the tool.
See 6. Switching off the pruning shears, page 14.
3. Disconnect the battery from the tool.
See 4.3. Disconnecting the battery from the tool, page 12.
4. Loosen the 3 cover attachment screws.
5. Remove the 3 cover attachment screws.
6. Remove the cover.



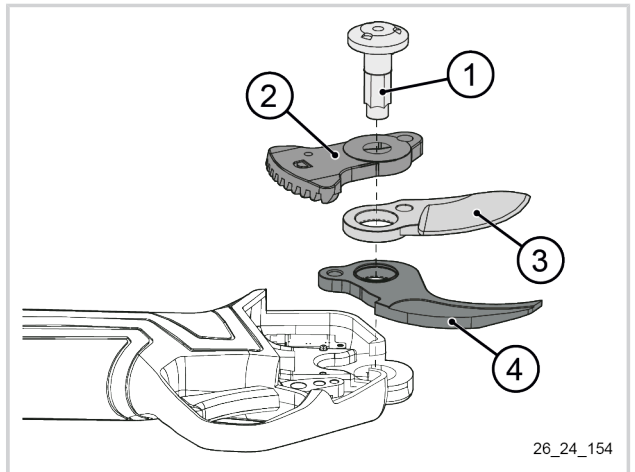
7. Turn the pruning shears over.
8. Using the supplied Allen wrench, loosen the rack and pinion screw.
9. Remove the rack and pinion screw.



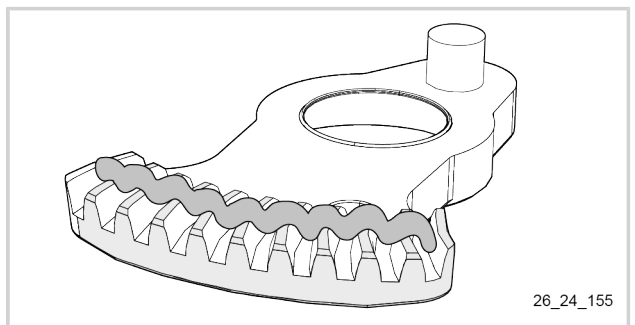
10. Using the spanner provided, loosen the rack and pinion nut.
11. Remove the rack and pinion nut.



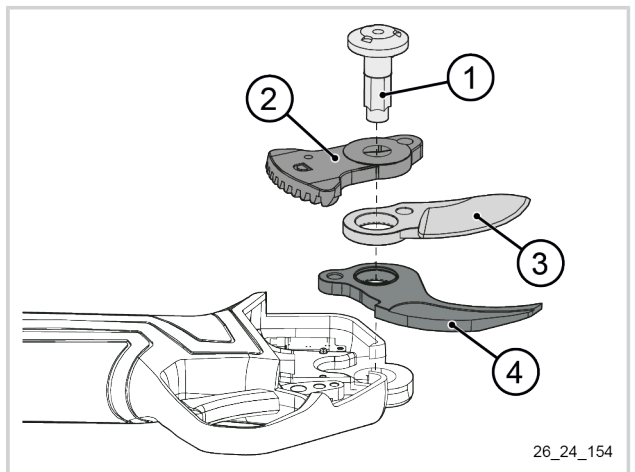
12. Turn the pruning shears over.
13. Remove the clevis pin (1).
14. Remove the blade guide (2).
15. Remove the moving blade (3).
16. Remove the fixed blade (4).



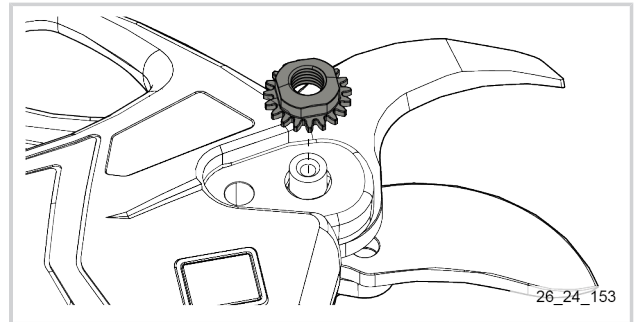
17. Remove grease from the blade guide rack teeth.



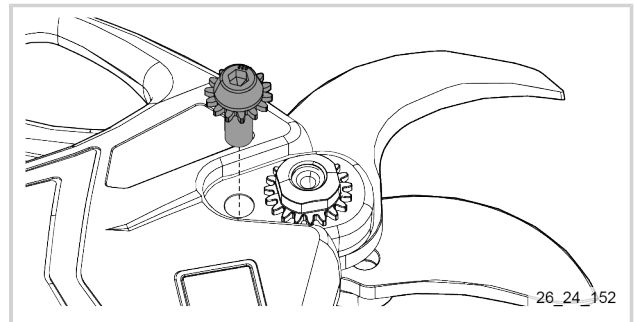
18. Fit the new fixed blade (4).
19. Fit the new moving blade (3) on the blade guide (2).
20. Install the blade guide (2) with the moving blade (3)
21. Fit the clevis pin (1).



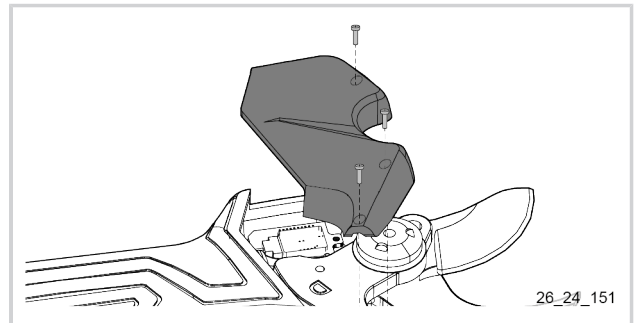
- 22. Turn the pruning shears over.
- 23. Position the rack and pinion nut.
- 24. Using the supplied spanner, tighten the rack and pinion nut to **atorque of 1.5 N.m.**



- 25. Position the rack and pinion screw.
- 26. Using the supplied Allen wrench, tighten the rack and pinion screw to **a torque of 9 N.m.**



- 27. Fit the cover.
- 28. Position the 3 cover attachment screws.
- 29. Tighten the 3 cover attachment screws to **a torque of 0.25 N.m.**
- 30. Grease the blade. See 7.5. Greasing the blade, page 17.



8. INCIDENTS AND TROUBLESHOOTING

8.1. TABLE OF INCIDENTS AND BREAKDOWNS



Caution

Never attempt to open or repair the battery pack or the charger

Problem	Probable cause	Check	Possible action
The tool does not start	The tool is switched off	Check that the tool is switched on.	Switch on the tool.
	Battery discharged	Check that the battery is not completely discharged.	Recharge the battery.
	Poor connection between tool and battery	Check that the tool is connected to the battery.	See 4.2. Connecting the battery to the tool, page 12.
The tool makes an unusual noise	Internal breakage	PELLENC authorised dealer	PELLENC authorised dealer.
The tool stops during use	The tool has reached its temperature limit	Abnormally high tool temperature.	Check that the tool is being used under the recommended conditions.
	Internal breakage	PELLENC authorised dealer	See 2. Security, page 6. PELLENC authorised dealer.
Loss of efficiency and/or cutting quality of the tool	Stop and restart the tool; if the tool still does not start, see the "The tool does not start" section of this table.	PELLENC authorised dealer	The tool does not start" section of this
	Ineffectiveness of the blade	Check the sharpness of the blade, the tightness of the blade, the greasing of the blade and the crossing of the blade and hook.	See 7. Maintenance, page 15.
	The cutting diameter does not correspond to the maximum capacity of the pruning shears	-	Cut only branches that are suitable for your tool.
	Battery partly discharged	Check that the battery is sufficiently charged.	Recharge the battery.
	Mode problem	Check that you are indeed in half-opening or progressive mode.	See 5.3. Half-opening mode, page 13. See 5.4. Progressive mode, page 14.
The blade no longer opens in a half-opening or is no longer progressive	Trigger problem	Check the trigger	See 7.3.2. Checking the operating trigger, page 16.

If the tool does not work, return the complete equipment in its original packaging to an authorised repairer PELLENC.

9. STORAGE AND TRANSPORT

9.1. STORAGE

1. Switch off the tool.
See 6. Switching off the pruning shears, page 14.
2. Disconnect the battery from the tool.
See 4.3. Disconnecting the battery from the tool, page 12.
3. Clean the pruning shears.
See 7.6. Cleaning the tool, page 18.
4. Store the pruning shears in their carrying case away from heat, dust and moisture.
5. Storing the battery.
See the operating instructions for the battery.

Note

It is possible to have the pruning shears serviced by an authorised repairer out of season. For more information, consult an authorised dealer or contact PELENC.

10. ACCESSORIES AND CONSUMABLES

10.1. ACCESSORIES INCLUDED

For a list of accessories included with the tool, see 4.1. Content of the carry-case, page 12.

10.2. OPTIONAL ACCESSORIES

Name	Reference
Battery	57345

10.3. CONSUMABLES

Name	Reference
Sharpening stone	02322
Tube of grease	170755
Blade	182046

11. GENERAL WARRANTIES

11.1. STATUTORY WARRANTY

11.1.1. LATENT DEFECTS WARRANTY

Apart from the commercial warranty provided for under Article II, Article 1641 of the French Civil Code states that "the seller is bound to a warranty on account of latent defects of the object sold which render it unfit for the use for which it was intended, or which would impair said use to the extent that the buyer would not have acquired it, or would only have paid a lesser price for it, had he/she known of them".

Article 1648 of the French Civil Code "The action resulting from latent defects must be brought by the purchaser within two years after the discovery of the defect."

11.1.2. LEGAL GUARANTEE OF CONFORMITY

Article L.217-4 of the French Consumer Code "The seller delivers goods in compliance with the contract and is liable for defects of conformity existing upon delivery.

The seller is also liable for any lack of conformity resulting from the packaging, assembly or installation instructions whenever its contractual liability is engaged in this regard or the latter are carried out under its responsibility.

Article L.217-5 of the French Consumer Code "Goods are compliant with the contract":

1. If they are fit for the purpose normally expected of similar goods and, where applicable:
 - If they correspond to the description given by the seller and possess the qualities that were presented to the buyer in the form of a sample or model;
 - If they possess the qualities that a buyer can reasonably expect given the public statements made by the seller, the producer or its representative, especially in advertising or labelling;
2. Or if it has the characteristics defined by mutual agreement between the parties or be suitable for any special use sought by the buyer, brought to the attention of the seller and accepted by the latter.

Article L.217-12 of the French Consumer Code "legal action resulting from lack of conformity lapses two years after delivery of the goods".

11.2. PELLENC COMMERCIAL WARRANTY

11.2.1. CONTENTS

11.2.1.1. GENERAL INFORMATION

In addition to legal warranties, client users benefit from the commercial warranty on PELLENC products covering the exchange and replacement of parts recognised as being out of order, due to machining defects, assembly defects or material defects, whatever the cause.

The warranty forms an inseparable whole with the product sold by PELLENC.

11.2.1.2. SPARE PARTS

The commercial warranty also covers PELLENC original spare parts, excluding labour and to the exclusion of certain parts of each product provided at delivery.

11.2.2. DURATION OF WARRANTY

11.2.2.1. GENERAL INFORMATION

PELLENC products are guaranteed under the commercial warranty as from delivery to the customer for a period of two (2) years for products connected to a PELLENC battery, and for a period of one (1) year for other PELLENC products.

11.2.2.2. SPARE PARTS

PELLENC replacement parts replaced under the product warranty are guaranteed under the commercial warranty as from delivery of the PELLENC product to the customer user for a period of two (2) years for products connected to a PELLENC battery, and for a period of one (1) year for other PELLENC products.

In the case of products connected to a PELLENC battery, parts that are replaced under the product warranty after the 12th month of use, are covered for a period of one (1) year.

11.2.2.3. WARRANTY EXCLUSIONS

Products that have been subject to abnormal use, or that have been used under conditions and for purposes other than those for which they were manufactured, are excluded from the commercial warranty, especially in the case of non-compliance with the conditions stipulated in this user manual.

Nor does it apply in the event of impact, dropping, negligence, lack of supervision or maintenance or if the product has been transformed. Products that have been altered, transformed or modified by the user customer are also excluded from the warranty.

Wear parts and/or consumables are not covered by the warranty.

11.2.3. IMPLEMENTATION OF THE COMMERCIAL WARRANTY

11.2.3.1. PRODUCT COMMISSIONING AND COMMISSIONING DECLARATION

No later than eight days after delivery of the goods to the user customer, the DISTRIBUTOR undertakes to complete the computerised commissioning declaration form in order to activate the latter on the website www.pellenc.com, under the heading "Extranet Access" in the "Pellenc Extranet Service" menu, using the identifier previously issued by PELLENC.

Failing that, commissioning declaration will not be effective and implementation of the PELLENC commercial warranty will not occur. As a consequence thereof, the DISTRIBUTOR must ensure the financial burden of its intervention under the warranty without being able to pass on the cost to the client user.

The DISTRIBUTOR also undertakes to complete the warranty card or the certificate of warranty and commissioning for self-propelled equipment provided with the product after having the user customer sign and date it.

11.3. PAID AFTER-SALES SERVICE

11.3.1. GENERAL INFORMATION

Malfunctions, breakdowns, breakages resulting from misuse, negligence or improper maintenance by the user customer, as well as malfunctions resulting from the normal wear of the product, are subject to the payment of the after-sales service, even during the period of the legal and commercial warranty. After-sales service repairs that fall outside of the legal and commercial warranty also include maintenance, adjustments, diagnostics of all types, and cleaning, without the present list being exhaustive.

11.3.2. WEAR PARTS AND CONSUMABLES

Wear parts and consumables also fall within the after-sales service.

11.3.3. SPARE PARTS

Paid after-sales service also covers PELLENC original spare parts, excluding labour and outside the legal and commercial warranty period.

In case of replacement of original PELLENC spare parts in the context of after-sales service, said latter are covered by a warranty of one year as from the installation date.

12. STATEMENT OF COMPLIANCE: M32C

MANUFACTURER / PERSON AUTHORISED TO COMPILE THE TECHNICAL FILE	PELLENC
ADDRESS	Quartier Notre-Dame - 84120 Pertuis (France)

We hereby declare that the machine designated below:

GENERIC DENOMINATION	Pruning shears		
FUNCTION	INTENDED FOR PRUNING		
COMMERCIAL NAME	M32C		
TYPE	M32C		
MODEL	M32C		
SERIAL No.	26Y00001 - 26Y99999	26Z00001 - 26Z49999	26A00001 - 26A49999

This declaration of conformity is issued under the sole responsibility of the manufacturer.

The object of the declaration described above complies with the relevant Union harmonisation legislation:

- Directive 2006/42/EC
 - EN 62841-1:2015 + A11:2022
- Directive 2014/30/EU
 - EN IEC 55014-1:2021
 - EN IEC 55014-2:2021
- Directive 2011/65/EU
- Regulation (REACH) No 1907/2006
- Directive 2012/19/EU

Signed for and on behalf of:

Simon BARBEAU

CEO



PERTUIS, date 2024.9.12

13. UK DECLARATION OF CONFORMITY ^{UK}CA : M32C

MANUFACTURER / ENTITY AUTHORIZED TO COMPILE THE TECHNICAL FILE	PELLENC
ADDRESS	Quartier Notre-Dame - 84120 Pertuis (France)

We hereby declare that the machine referred to below as:

GENERIC DENOMINATION	ELECTRIC PRUNING SHEARS		
FUNCTION	INTENDED FOR PRUNING		
COMMERCIAL NAME	M32C		
TYPE	M32C		
MODEL	M32C		
SERIAL No.	26Y00001 - 26Y9999	26Z00001 - 26Z49999	26A00001 - 26A49999

This declaration of conformity is issued under the sole responsibility of the manufacturer.

The object of the declaration described above is in conformity with the relevant statutory requirements:

- S.I. 2008 No. 1597 "Machinery"
 - EN 62841-1: 2015 + A11: 2022
- S.I. 2012 No. 3032 RoHS
- S.I. 2016 No. 1091 Electromagnetic Compatibility Regulations 2016
 - EN IEC 55014-1:2021
 - EN IEC 55014-2:2021
- S.I. 2021 No. 904 UK REACH Regulation

Signed by and on behalf of :

Simon BARBEAU
CHIEF EXECUTIVE OFFICER



SIGNED IN PERTUIS, 2024.9.12

PELENC

   www.pellenc.com

PELENC
Quartier Notre Dame - 84120 Pertuis (France)

