

**ENG**

Translated from original  
operating instructions manual  
**Original operating  
instructions manual**



## PRUNING SHEARS C3X

Operating Instructions



26\_176804-B  
06/2024

**READ THE USER OPERATING GUIDE CAREFULLY BEFORE USE**



# TABLE OF CONTENTS

<b>1. INTRODUCTION .....</b>	<b>5</b>
<b>2. SAFETY .....</b>	<b>6</b>
<b>2.1. INTENDED USAGE .....</b>	<b>6</b>
<b>2.2. GENERAL SAFETY INSTRUCTIONS FOR THE ELECTRICAL TOOL .....</b>	<b>6</b>
2.2.1. WORK AREA SAFETY .....	6
2.2.2. ELECTRICAL SAFETY .....	6
2.2.3. PERSONAL SAFETY .....	7
2.2.4. USE AND CARE OF THE POWER TOOL .....	7
2.2.5. BATTERY TOOL USE AND CARE .....	7
2.2.6. MAINTENANCE .....	8
2.2.7. MANAGEMENT OF THE RECYCLING AND RECOVERY OF WASTE FROM YOUR TOOL .....	8
<b>2.3. SAFETY MEASURES RELATED TO THE USE OF THE BATTERY AND THE CHARGER     PELLENC .....</b>	<b>8</b>
<b>2.4. SAFETY WARNINGS FOR BATTERY-POWERED SHEARS .....</b>	<b>9</b>
<b>2.5. SAFETY MEASURES ASSOCIATED WITH BATTERY USE .....</b>	<b>9</b>
<b>2.6. SAFETY MEASURES WHEN USING THE "PELLENC" CHARGER .....</b>	<b>10</b>
<b>2.7. SAFETY SIGNS .....</b>	<b>11</b>
<b>2.8. PERSONAL PROTECTIVE EQUIPMENT .....</b>	<b>12</b>
<b>3. DESCRIPTION AND TECHNICAL CHARACTERISTICS .....</b>	<b>13</b>
<b>3.1. DESCRIPTION OF THE TOOL .....</b>	<b>13</b>
<b>3.2. TECHNICAL FEATURES .....</b>	<b>14</b>
3.2.1. GENERAL CHARACTERISTICS OF THE TOOL .....	14
3.2.2. CUTTING HEAD COMPATIBILITY .....	14
3.2.3. BATTERY AND CHARGER COMPATIBILITY .....	14
3.2.4. VIBRATION AND NOISE EMISSION VALUES .....	14
<b>3.3. PRESENTATION OF ACTIV' SECURITY .....</b>	<b>15</b>
<b>4. START-UP .....</b>	<b>16</b>
<b>4.1. CONTENT OF THE CARRY-CASE .....</b>	<b>16</b>
<b>4.2. CONNECTING THE BATTERY TO THE TOOL .....</b>	<b>16</b>
<b>4.3. DISCONNECTING THE BATTERY FROM THE TOOL .....</b>	<b>16</b>
<b>4.4. FIRST-TIME OPERATION .....</b>	<b>17</b>
<b>5. USE .....</b>	<b>18</b>
<b>5.1. ACTIV'SECURITY DEACTIVATED .....</b>	<b>18</b>
5.1.1. STARTING THE TOOL WITH ACTIV' SECURITY DEACTIVATED .....	18
5.1.2. ACTIVATION OF ACTIV' SECURITY .....	19
<b>5.2. ACTIV' SECURITY ACTIVATED .....</b>	<b>20</b>
5.2.1. ACTIV' SECURITY TOOL ACTIVATED .....	20
5.2.2. DEACTIVATE ACTIV' SECURITY .....	21
<b>5.3. BLADE OPENINGS .....</b>	<b>22</b>

5.3.1. FULL OPENING OF THE BLADE POSITION BLADE IN WIDE-OPEN POSITION BEFORE ANY MAINTENANCE OPERATION .....	22
5.3.2. HALF-OPENING OF THE BLADE .....	23
<b>5.4. SWITCHING THE PRUNING SHEARS TO STANDBY MODE .....</b>	<b>24</b>
<b>5.5. SWITCHING OFF THE PRUNING SHEARS .....</b>	<b>25</b>
<b>6. MAINTENANCE .....</b>	<b>26</b>
6.1. FREQUENCY OF OPERATIONS .....	26
6.2. MAINTENANCE ADVICE .....	27
6.3. CHECK .....	27
6.3.1. CHECKING THE OPERATION OF THE ACTIV'SECURITY AND THE CONDUCTIVITY OF THE GLOVES .....	27
6.3.2. VISUAL CHECK OF THE GENERAL CONDITION OF THE TOOL .....	28
6.3.3. CHECKING THE OPERATING TRIGGER .....	28
6.4. SHARPENING THE BLADE .....	29
6.5. CHECK THE TIGHTNESS OF THE BLADE .....	30
6.6. GREASING THE BLADE .....	30
6.7. CLEANING THE TOOL .....	30
6.8. CHANGING BLADE OR SHAFT .....	31
6.8.1. REMOVAL OF THE BLADE AND ITS PIN .....	31
6.8.2. FITTING OF THE BLADE AND ITS PINS .....	32
<b>7. INCIDENTS AND TROUBLESHOOTING .....</b>	<b>34</b>
7.1. TABLE OF INCIDENTS AND BREAKDOWNS .....	34
7.2. ACTIV' SECURITY LED CODES SUMMARY .....	35
7.3. SUMMARY OF PRUNING SHEAR STATUS INDICATOR LIGHT CODES .....	36
<b>8. STORAGE AND TRANSPORT .....</b>	<b>37</b>
8.1. STORAGE .....	37
<b>9. ACCESSORIES AND CONSUMABLES .....</b>	<b>38</b>
9.1. ACCESSORIES INCLUDED .....	38
9.2. OPTIONAL ACCESSORIES .....	38
9.3. CONSUMABLES .....	39
<b>10. WARRANTIES .....</b>	<b>40</b>
10.1. GENERAL WARRANTIES .....	40
10.1.1. STATUTORY WARRANTY .....	40
10.1.2. PELLENC COMMERCIAL WARRANTY .....	40
10.1.3. PAID AFTER-SALES SERVICE .....	41
<b>11. STATEMENTS OF COMPLIANCE .....</b>	<b>43</b>
11.1. STATEMENT  OF COMPLIANCE: C3X .....	43
11.2. UK DECLARATION OF CONFORMITY  : C3X .....	44

## 1. INTRODUCTION

Dear Customer,

Thank you for purchasing your Pruning shears C3X. Properly used and maintained, this equipment will give you years of satisfaction.



### Warning

In accordance with product liability laws, we are not responsible for damage caused by our product if the product includes an accessory that is not from the manufacturer or is not approved by the manufacturer. The use of any other accessory may increase the risk of injury.



### Warning

Your device contains numerous recoverable or recyclable materials. Return it to your dealer or, failing this, to an approved servicing centre to be treated.



Comply with the regulations in force in your country as concerns environmental protection associated with your activity.



### Warning

It is imperative that you read through the ENTIRE user's manual guide before using or servicing the tool. Always comply with the instructions and illustrations in the manual.


Throughout the user's manual guide you will find advisory notes and information entitled: NOTE, IMPORTANT, ATTENTION and WARNING.

Points marked "NOTE" indicate additional information.

Points marked "IMPORTANT" warn the user of a potential risk for the equipment.

Points marked "CAUTION" warn the user of a potentially hazardous situation which if not avoided may result in minor injuries.

Points marked "WARNING" warn the user of a potentially hazardous situation which if not avoided may result in serious injury or death.

The warning  indicates that damage resulting from failure to comply with the procedures and instructions is not covered by the warranty and the owner will be liable for any repair costs.

Safety signs on the tool also indicate the safety precautions to be observed. Locate these signs and read them before using your machine. Any partially illegible or damaged sign should be replaced immediately.

Refer to 2.7. Safety signs, page 11 for the location diagram of the safety stickers affixed to the tool.

No part of this manual may be reproduced without the written permission of the PELENC company. The illustrations provided in this manual are for information purposes only and are in no way contractual. The PELENC company reserves the right to make any modification or improvement to its products as deemed necessary without informing customers already in possession of a similar model. This manual forms an integral part of the tool and must accompany the tool if it changes hands.

## 2. SAFETY

### 2.1. INTENDED USAGE

- The Pruning shears C3X is intended for vineyard, fruit-tree, olive-growing and landscape maintenance pruning up to a diameter of 35 mm.
- The Pruning shears C3X must be operated from the ground or a suitable fully stable and secure platform.
- The Pruning shears C3X is only intended for outdoor use.
- Only original or manufacturer approved spare parts (e.g. blade kit, maintenance kit) may be fitted to the Pruning shears C3X.
- Any other use of this tool is not intended.
- The company PELENC accepts no responsibility for any damage caused by improper or unspecified use different from its original intention.
- The user is responsible for any accident resulting from improper use or unauthorized modification of this tool.
- The company PELENC accepts no responsibility for any damage caused by the use of non-original parts or accessories.

### 2.2. GENERAL SAFETY INSTRUCTIONS FOR THE ELECTRICAL TOOL



#### Warning

Read all safety warnings, instructions, illustrations and specifications provided with this power tool. Failure to follow the warnings and instructions may result in electric shock, fire and/or serious injury.

#### Note

Retain all the safety measures and instructions for later reading.

The term "power tool" in the safety warnings refers to your battery-powered electric tool (without power cord).

#### 2.2.1. WORK AREA SAFETY

1. **Keep the work area clean and well lit.** Cluttered or dark areas invite accidents.
2. **Do not operate power tools in an explosive atmosphere, for example in the presence of flammable liquids, gases, or dust.** Power tools create sparks, which can ignite dust or fumes.
3. **Keep children and bystanders away while operating the power tool.** Distractions can cause you to lose control of the tool.

#### 2.2.2. ELECTRICAL SAFETY

1. **Power tool plugs must match the outlet. Never modify the plug in any way. Do not use adapter plugs with earthed (grounded) power tools.** Unmodified plugs and matching outlets will reduce risk of electric shock.
2. **Avoid body contact with earthed or grounded surfaces, such as pipes, radiators, ranges and refrigerators.** There is an increased risk of electric shock if your body is in direct contact with the ground.
3. **Do not expose power tools to rain or damp conditions.** Water entering a power tool will increase the risk of electric shock (Except for tools for which an "IP" index is specified).
4. **Do not abuse the cord. Never use the cord for carrying, pulling or unplugging the power tool. Keep cord away from heat, oil, sharp edges, and moving parts.** Damaged or entangled cords increase the risk of electric shock.
5. **Use an extension cord suitable for outdoor use when operating power tools outdoors.** Use a cord suitable for outdoors to reduce the risk of electric shock.

6. **If operating a power tool in a damp location is unavoidable, use a residual current device (RCD) protected supply.** Use of an RCD reduces the risk of electric shock.

### 2.2.3. PERSONAL SAFETY

1. **Stay alert, watch what you are doing, and use common sense when operating a power tool. Do not use a power tool when you are tired or under the influence of drugs, alcohol, or medication.** A moment of inattention when using a power tool can result in serious personal injury.
2. **Use personal protective equipment. Always wear eye protection.** Protective equipment such as dust mask, non-skid safety shoes, hard hat, or hearing protection used for appropriate conditions will reduce personal injuries.
3. **Prevent unintentional starting. Make sure the switch is in the off position before you connect the tool to the power source and/or battery pack, pick it up, or carry it.** Carrying power tools with your finger on the switch or plugging in power tools with the switch in the on position can cause accidents.
4. **Remove any adjusting wrench before switching the electric tool on.** A wrench or a key left attached to a rotating part of the power tool may result in personal injury.
5. **Do not overreach. Keep proper footing and balance at all times.** This enables better control of the power tool in unexpected situations.
6. **Dress properly. Do not wear loose clothing or jewelry. Keep your hair and clothing away from moving parts.** Loose clothes, jewellery or long hair can get caught in moving parts.
7. **If devices are provided for the connection of dust extraction and collection facilities, ensure that these are connected and properly used.** Use dust collectors to reduce the risk caused by dust.
8. **Do not let familiarity gained from frequent use of tools allow you to become complacent and ignore tool safety principles.** A moment of inattention can result in serious personal injury.

### 2.2.4. USE AND CARE OF THE POWER TOOL

1. **Do not force the power tool. Use the correct power tool for your application.** The correct power tool will do the job better and safer at the rate for which it was designed.
2. **Do not use the power tool if the switch does not turn it on and off.** Power tools that cannot be controlled by a switch are dangerous and must be repaired.
3. **Disconnect the plug from the power source and/or remove the battery pack, if detachable, from the power tool before making any adjustments, changing accessories, or storing power tools.** Such preventive safety measures reduce the risk of starting the power tool accidentally.
4. **Store idle power tools out of the reach of children and do not allow persons unfamiliar with the power tool or these instructions to operate the power tool.** Power tools are dangerous in the hands of untrained users.
5. **Maintain power tools and accessories. Check for misalignment or binding of moving parts, breakage of parts and any other condition that may affect the power tool's operation. If damaged, have the power tool repaired before use.** Many accidents are due to poorly maintained power tools.
6. **Keep the cutting tools sharp and clean.** Properly maintained cutting tools with sharp cutting elements are less likely to jam and are easier to control.
7. **Use the power tool, accessories, blades, etc. in accordance with these instructions, taking into account the working conditions and the work to be done.** Using the power tool for operations other than those specified can result in hazardous situations.
8. **Handles and gripping surfaces must be kept dry, clean and free from oils and grease.** Slippery handles and grasping surfaces do not allow for safe handling and control of the tool in unexpected situations.

### 2.2.5. BATTERY TOOL USE AND CARE

1. **Recharge only with the charger specified by the manufacturer.** A charger that is suitable for one type of battery pack may create a risk of fire when used with another battery pack.
2. **Use power tools only with specifically designated battery packs.** Use of any other battery pack may create a risk of injury and fire.
3. **When battery pack is not in use, keep it away from other metal objects, like paper clips, coins, keys, nails, screws or other small metal objects, that can make a connection from one terminal to another.** Shorting the battery terminals together may cause burns or a fire.

4. **Under abusive conditions, liquid may be ejected from the battery; avoid contact. If contact accidentally occurs, flush with water. If liquid contacts eyes, additionally seek medical help.** Liquid ejected from the battery may cause irritation or burns.
5. **Do not use a battery pack or tool that is damaged or modified.** Damaged or modified batteries may exhibit unpredictable behaviour resulting in fire, explosion or risk of injury.
6. **Do not expose a battery pack or tool to fire or excessive temperature.** Exposure to fire or temperature above 130°C (or 265°F) may cause explosion.
7. **Follow all charging instructions and do not charge the battery pack or tool outside the temperature range specified in the instructions.** Charging improperly or at temperatures outside the specified range may damage the battery and increase the risk of fire.

#### 2.2.6. MAINTENANCE

1. **Have the power tool serviced by a qualified technician, using only identical spare parts.** This will ensure that the safety of the power tool is maintained.
2. **Never service damaged battery packs.** Service of battery packs should only be performed by the manufacturer or authorized service providers.

#### 2.2.7. MANAGEMENT OF THE RECYCLING AND RECOVERY OF WASTE FROM YOUR TOOL

1. **When the tool reaches the end of its life, PELENC provide the end-of-life sheet of the equipment.** The end-of-life sheet provides instructions for safely removing components.

### 2.3. SAFETY MEASURES RELATED TO THE USE OF THE BATTERY AND THE CHARGER PELENC

#### Note

See the operating instructions for the battery.



#### Warning

Read all safety warnings and all instructions. Retain all the safety measures and instructions for later reading.



## 2.4. SAFETY WARNINGS FOR BATTERY-POWERED SHEARS

This device is not intended for use by individuals (including children) with reduced physical, sensory or mental capabilities, nor by anyone lacking in experience or knowledge, except if they are supervised or have received prior instructions from a person responsible for their safety.



### Warning

Read carefully all the instructions on the Activ' Security for your Pruning shears C3X before use, see 5.1. Activ' Security deactivated, page 18.

1. Never modify the connector in any way whatsoever.
2. This tool may cause severe injuries. Carefully read the instructions regarding the proper handling, operation, maintenance, startup and stopping the shears. Familiarize with all its controls and proper use.
3. When the tool is not in use, always remove the battery (the LED on the tool must be off).
4. Do not leave the tool in the ground or exposed to the weather.
5. Make sure that the blade is not in contact with any object before starting the tool.
6. Never use the tool if it is damaged, incorrectly set or incompletely assembled.
7. Never remove or disable a safety device. Have the safety system repaired if it is faulty.
8. Never disconnect the battery from the tool without first switching the tool off.
9. Do not disassemble the tool.
10. Do not try to cut pieces of wood that are too large or other materials than wood.
11. Please test the tool before use to check that it is working properly.

## 2.5. SAFETY MEASURES ASSOCIATED WITH BATTERY USE

1. If not using the battery unit, store it away from other metal objects such as paper clips, coins, keys, nails, screws or other such small metal items that might form a connection between the two terminals. Creating a short circuit between the battery terminals can result in burns or even a fire.
2. Keep the battery out of the reach of children and place it on a non-combustible support.
3. Do not interfere with its cooling cycle.
4. Do not use or leave the battery near a heat source ( $> 60^{\circ}\text{C}$ ).
5. Do not leave the battery in direct, strong sunlight.
6. Do not expose the battery to microwaves or high pressure.
7. Do not immerse the battery in water.
8. The batteries must be charged in a dry, ventilated room at a temperature between  $10^{\circ}\text{C}$  and  $25^{\circ}\text{C}$  maximum, away from any moisture.
9. If the battery is not used for 10 days, the battery will automatically discharge until it reaches its storage charge rate, and then goes to sleep. The battery heats up during this phase.<sup>1</sup>
10. Over time, the capacity of your battery decreases. When it reaches half of its original battery-life operating autonomy, it should be replaced.
11. The battery may lose 1 to 4 % of its capacity when exposed to a temperature higher than or equal to  $55^{\circ}\text{C}$  for one week.
12. The charging location must be equipped with a class D fire extinguisher (for metal fire) in good working order.
13. The standards in effect must be complied with when either shipping a complete tool or a battery.
  - Complete tool with battery: product classified UN3481 class 9.
  - Battery alone: product that is classified as class 9, UN3480.
14. Use of a battery other than that provided by Pellenc SA is dangerous (risk of serious injury). If a different battery is used, Pellenc SA cannot be held responsible for any consequences.
15. The battery must be protected from any impact and must be positioned and secured appropriately during transportation.
16. In the case of suspicious smoke, place the battery outside the charging area or transportation vehicle as far away as possible from any inflammable material.
17. Never store a battery when its capacity is below 50 %. Recharge the battery before storage if the value is below 50%.

<sup>1</sup>Except for Alpha Lite batteries, which are discharged directly.

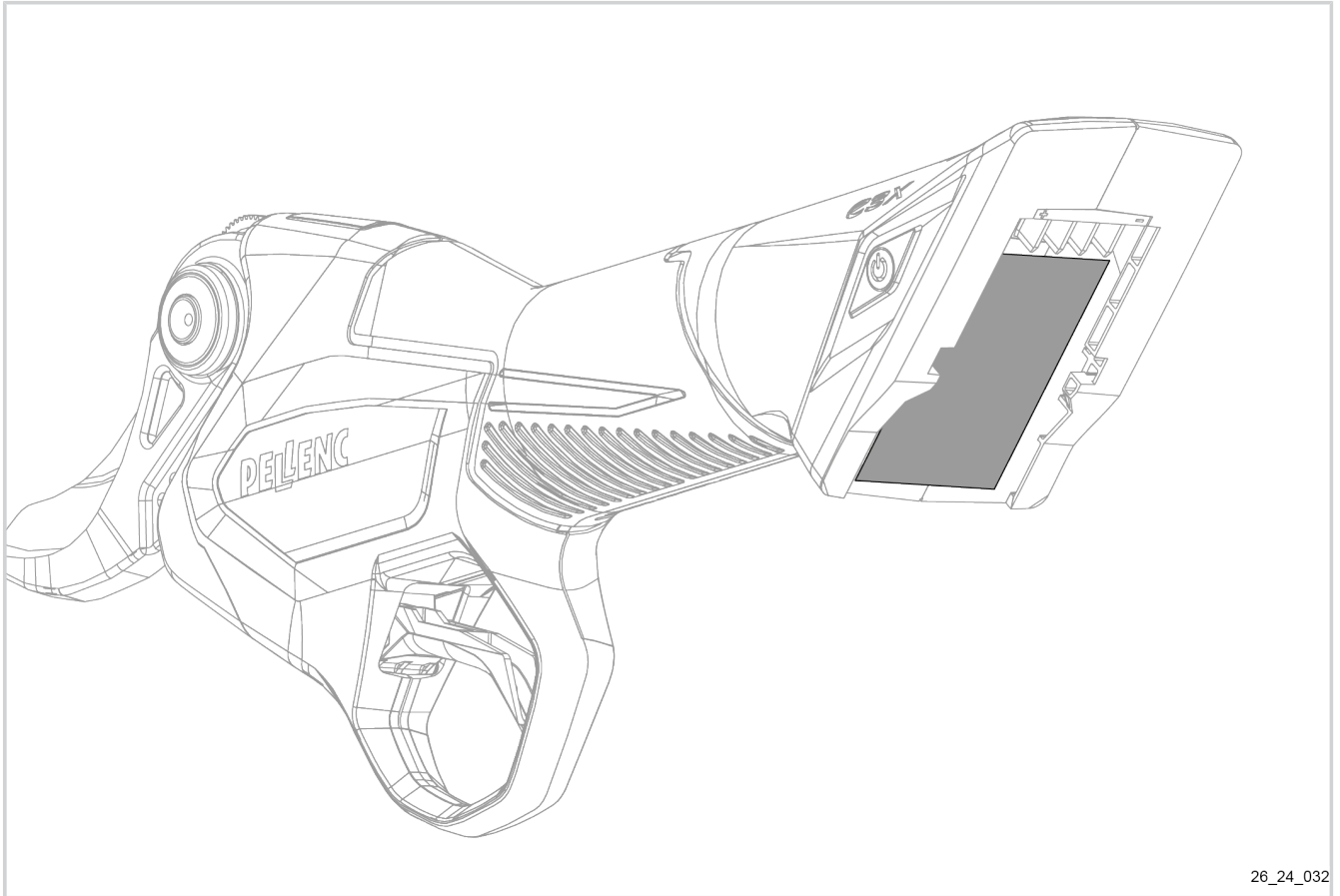
18. Under inappropriate conditions, liquid may leak from the batteries; avoid contact. In the event of accidental contact, rinse with water. In the event of contact with eyes, seek professional medical help. The liquid leaking from the batteries can cause irritations or burns.
19. Pellenc power tools must only be used with the battery units designed for the purpose. Use of other battery units can present a risk of injury and fire.
20. Recharge only with the charger specified by the manufacturer. A charger suitable for one type of battery pack may present a risk of fire if used with another type of battery pack.
21. Do not use the battery for any purpose other than that initially envisaged (exclusively for use with Pellenc tools).
22. At the end of its life, the battery must be returned to the authorized distributor from whom it was purchased to be recycled in accordance with waste regulations.
23. Fragile case, contains an electronic board and lithium.

## 2.6. SAFETY MEASURES WHEN USING THE "PELLENC" CHARGER

1. When in operation, the charger's temperature can reach 60°C. No flammable material must be within 1.5 metres of the charger and battery.
2. Place the charger out of children's reach and onto a non-combustible support.
3. Do not interfere with its cooling cycle.
4. The charger is intended only for recharging the battery. Do not charge non-rechargeable batteries.
5. The charging location must be equipped with a class D fire extinguisher (for metal fire) in good working order.
6. If the outlet cord is cut or damaged, the complete charger must be returned to the authorized distributor from which the tool was purchased in order to avoid any danger.
7. Only recharge using the "PELLENC" charger indicated by the manufacturer. A charger suitable for one type of battery pack may present a risk of fire if used with another type of battery pack.
8. This charger is designed to charge Pellenc tool lithium batteries.
9. Do not use it for any other purposes.
10. Children must be supervised to ensure they do not play with the charger.
11. Check that the cable cannot be bent and that it does not touch hot surfaces or sharp edges.
12. Ensure good ventilation during the charging.
13. Never cover the charger. This charger must not be used outdoors.
14. Make sure the power connector is not exposed to water.
15. Never attempt to charge a damaged battery.
16. The grid connection must comply with national electrical regulations.
17. Check the wiring of the charger before use. Never use the charger if the cable is damaged
18. When the battery is charging, place the charger on a non-flammable support, more than 1.5 m away from any flammable object.

**2.7. SAFETY SIGNS**

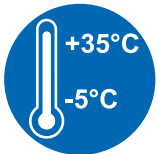
**California State Proposition 65:**



26\_24\_032



**Please read the operating instructions.**  
*Read the instructions carefully and follow the safety precautions.*



This equipment must be used at a temperature of -5° to +35°C.



00\_24\_PIC10\_017

Certifies that the tool complies with Korean safety standards.



**Waste electrical and electronic equipment.**

At the end of its life, the tool and the battery must be returned to the authorised dealer from whom they were purchased to be recycled in accordance with waste regulations.

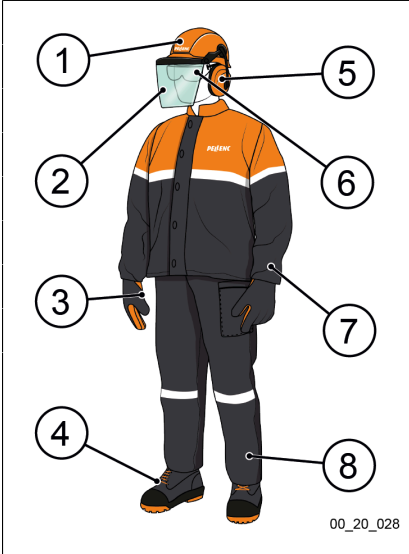
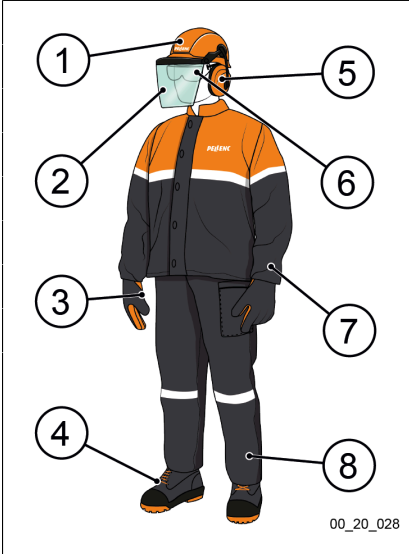
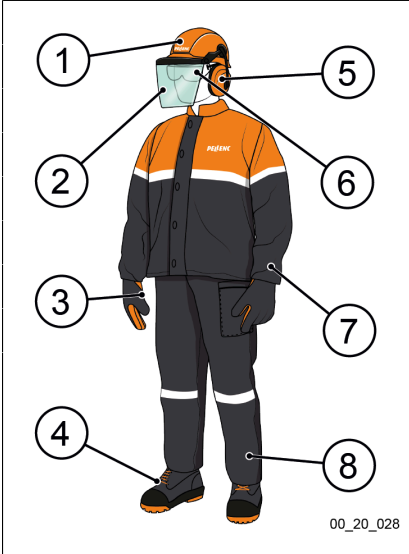
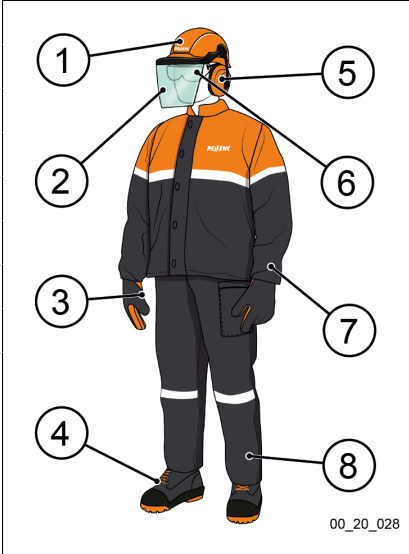
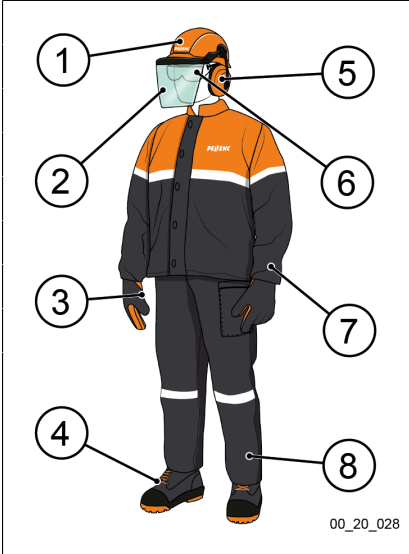
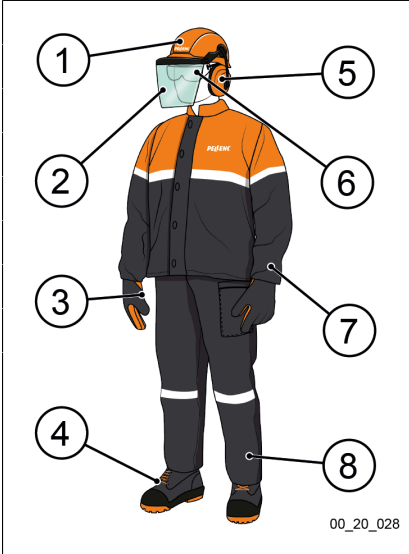
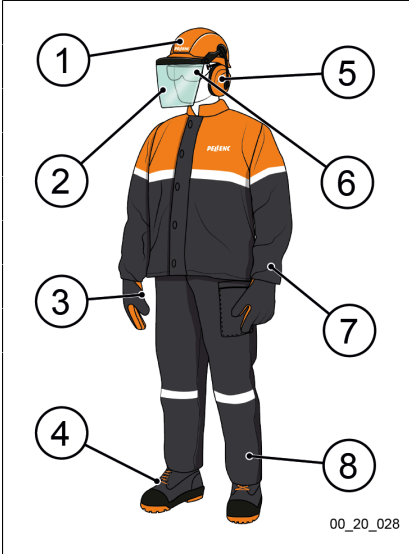
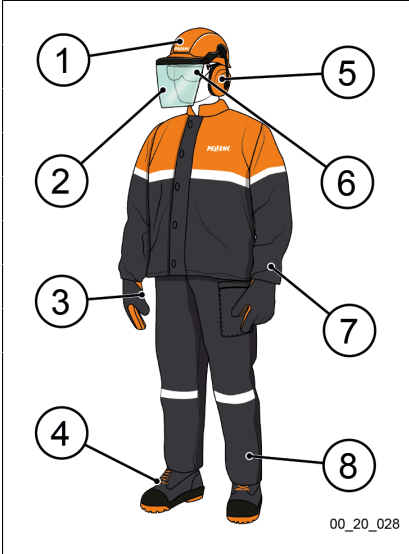


Tool compliant with EC standards.



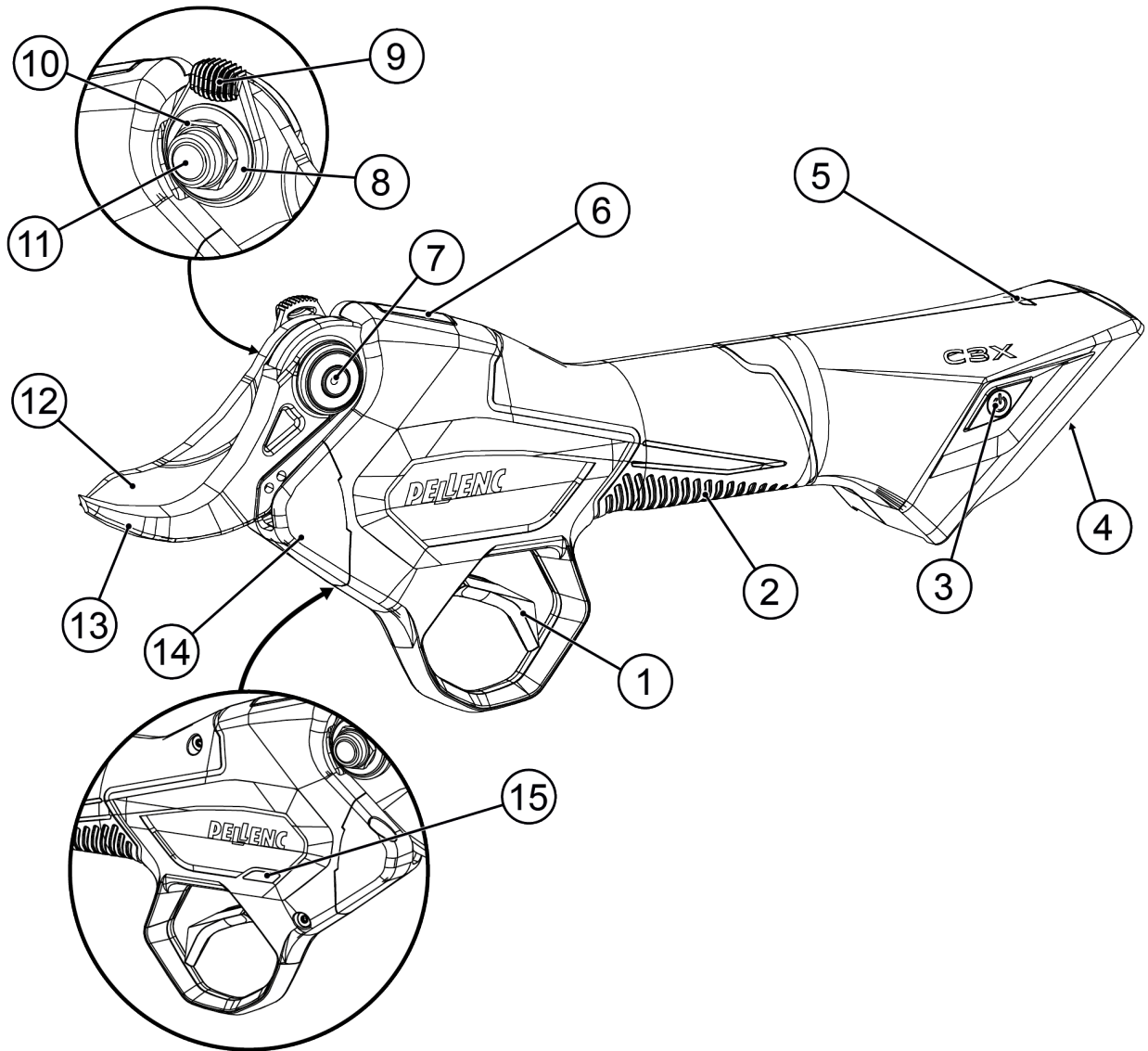
Tool compliant with Moroccan standards.

**2.8. PERSONAL PROTECTIVE EQUIPMENT**

	Equipment	Wear
	1 Safety helmet	--
	2 Protective visor	--
	3 Hard-wearing gloves	Recommended
	4 Safety footwear	Mandatory
	5 Hearing protection	--
	6 Protective glasses	Recommended
	7 Safety jacket or over-sleeves	--
	8 Work trousers	--

**3. DESCRIPTION AND TECHNICAL CHARACTERISTICS**

**3.1. DESCRIPTION OF THE TOOL**



- |   |  |
|---|--|
| 1. Drive trigger                        | 9. Knurled adjustment washer                               |
| 2. Conductive pad                       | 10. Nut  |
| 3. ON/OFF button                        | 11. Blade pin  |
| 4. Connector for Alpha Lite battery     | 12. Blade  |
| 5. Pruning shear status indicator light | 13. Hook   |
| 6. Half-open touch area                 | 14. Maintenance hatch                                      |
| 7. Grease nipple                        | 15. Activ' Security indicator LED (right side of the tool) |
| 8. Washer                               |  |

26\_24\_001

### 3.2. TECHNICAL FEATURES

#### 3.2.1. GENERAL CHARACTERISTICS OF THE TOOL

Cutting capacity	35 mm
Pruning shears power supply voltage	10.8 V
Maximum electrical power	800 W
Battery life	According to the use
Weight of pruning shears	745 g
Dimensions	301 x 114 x 49 mm 330.1 x 116 x 52 mm with the battery

#### 3.2.2. CUTTING HEAD COMPATIBILITY

Series production	Ø35 mm Feather
Optional (fitted by dealer)	Ø35 mm Standard

#### 3.2.3. BATTERY AND CHARGER COMPATIBILITY

Battery	Charger
ALPHA LITE	CB1220LV CB1220LV_1B

#### 3.2.4. VIBRATION AND NOISE EMISSION VALUES

The determination of noise levels and vibration rates is based on operating conditions at maximum rated speed according to a standardised test method. It can be used to compare two machines.

##### Sound pressure values

Maximum sound pressure level at the user's position (uncertainty $K_{pA}$ : 1.5 dB (A))	$L_{pa} = 66$ dB (A)
--	----------------------

##### Sound power values

Measured sound power level $L_{WA}$ (uncertainty $K_{WA}$ : 0.6 dB(A))	$L_{WA_{m}} = 73,13$ dB
Guaranteed sound power level $L_{WA_{g}}$	$L_{WA_{g}} = 74$ dB

*The recording of the measured sound power level and the guaranteed sound power level was carried out in accordance with a procedure laid down in Directive 2000/14/EC Annex V.*

##### Vibration values

Vibration emission values at the handle determined in accordance with EN 50636-2-100	$a_h = 1.128$ m/s <sup>2</sup>
--	--------------------------------

The total declared values for vibration and noise emissions can be used for a preliminary exposure assessment.

## Caution

Vibrations during actual working use of the machine may differ from the total declared value, depending on the way the machine is used

It is necessary to identify safety measures to protect the operator, based on an estimate of exposure under actual operating conditions (taking into account all parts of the operating cycle, such as the time the machine is switched off and the time it is idling, in addition to the working time).

### 3.3. PRESENTATION OF ACTIV' SECURITY

The Pruning shears C3X is equipped with a patented anti-cutting injuries system, the **Activ' Security**.

This technology allows the blade to stop immediately when it comes into contact with the operator's finger or hand, with gloves PELLENC or without gloves.

The Activ' Security works thanks to a natural conductive circuit created via 3 contact points.

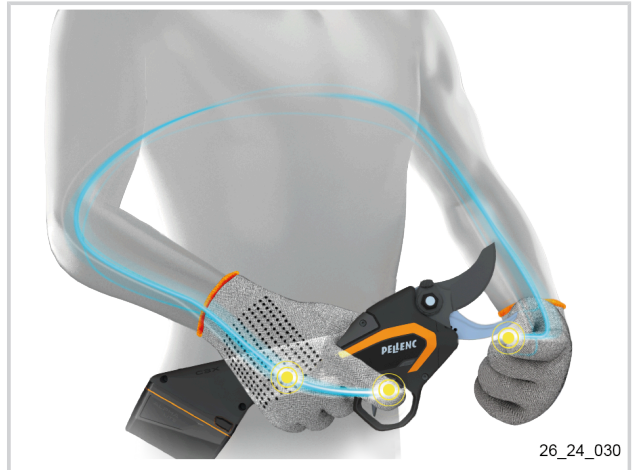
#### Note

The use of conductive gloves PELLENC is recommended for optimal safety in very wet or extreme conditions.

Two model types are available:

- The Activ' Security Comfort glove, a special size and preserves dexterity at work.
- The Activ' Security Vegetation glove, specially for thicker branches, with a waterproof and breathable membrane, ideal for clearing wood.

See 9.2. Optional accessories, page 38.



## 4. START-UP

### Note

For more information on the use of the battery, refer to the battery operating instructions.

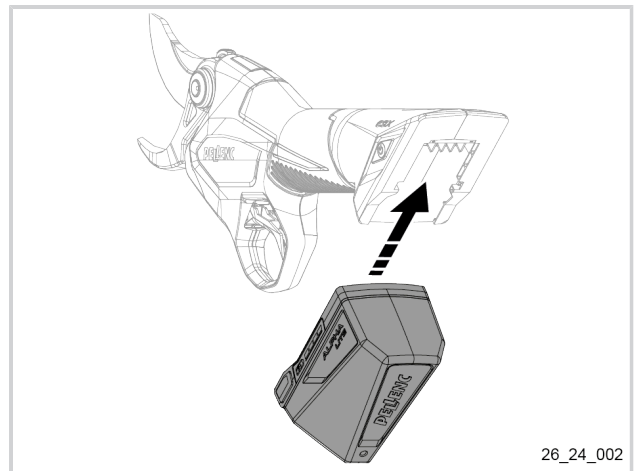
### 4.1. CONTENT OF THE CARRY-CASE

Check that the tool is delivered with:

- 1 C3X pruning shears
- 2 Alpha Lite batteries
- 1 cutting head tightening spanner
- 1 sharpening stone
- 1 grease gun
- 1 tube of grease
- 1 operating instructions manual
- 1 marketing flyer

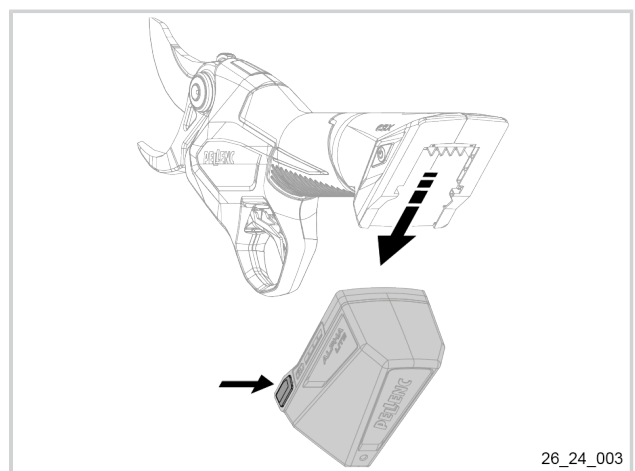
### 4.2. CONNECTING THE BATTERY TO THE TOOL

1. Check the tool and battery connectors for contamination.
2. Insert the battery until you hear it click into place.



### 4.3. DISCONNECTING THE BATTERY FROM THE TOOL

1. Pinch the battery's buttons.
2. Disconnect the battery.





**4.4. FIRST-TIME OPERATION****Warning**

By default, the tool does not have Activ' Security activated. **The tool should be used with care.**

For more information on how to use it, see 5.1.1. Starting the tool with Activ' Security deactivated, page 18.

To activate Activ' Security, see 5.1.2. Activation of Activ' Security, page 19.

## 5. USE

### 5.1. ACTIV'SECURITY DEACTIVATED



#### Warning

The user is strongly advised not to deactivate the Activ' Security. Deactivating this safety system exposes the user to the risk of serious and deep cuts.

The user is responsible for any accident that occurs as a result of the deactivation of the Activ' Security.

The deactivation of this safety system is recorded in the tool's black box.

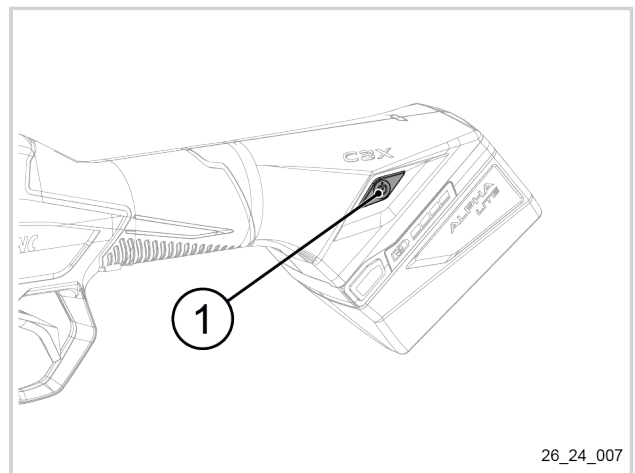
#### 5.1.1. STARTING THE TOOL WITH ACTIV' SECURITY DEACTIVATED

1. Press the ON/OFF button (1).

#### Note

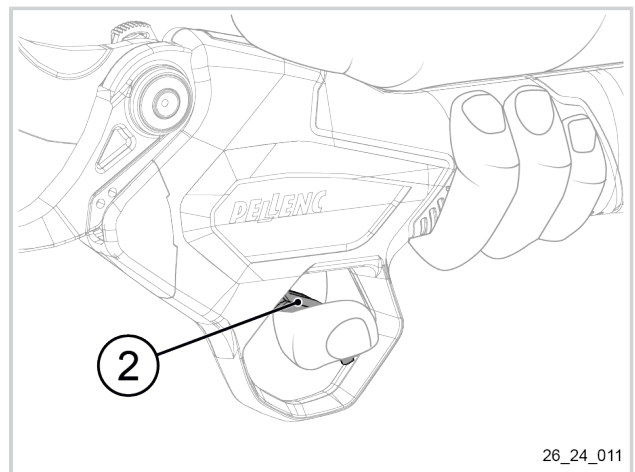
The tool will emit a series of beeps to indicate that it is switching on.

The Activ' Security LED flashes slowly red.



26\_24\_007

2. Take the tool into your hand.
3. Press the trigger (2) with the index finger of the hand holding the tool.  
The blade opens.  
The tool is ready for use.



26\_24\_011

**5.1.2. ACTIVATION OF ACTIV' SECURITY**

**Warning**

Activ' Security is based on electrical conduction and is only optimal with the use of PELENC Activ' Security gloves.

When working in wet conditions, wearing gloves PELENC increases safety effectiveness.

If you put on gloves that you did not have at the beginning of the day or you replace your conductive gloves during the day, make sure they are compatible with the Activ' Security by restarting the tool and activating the safety system.

The safety system only protects the user holding the tool, any other persons is not protected.

Activ' Security and gloves PELENC reduce the risk of cuts **but this risk is still present**. Always be careful when using pruning shears.

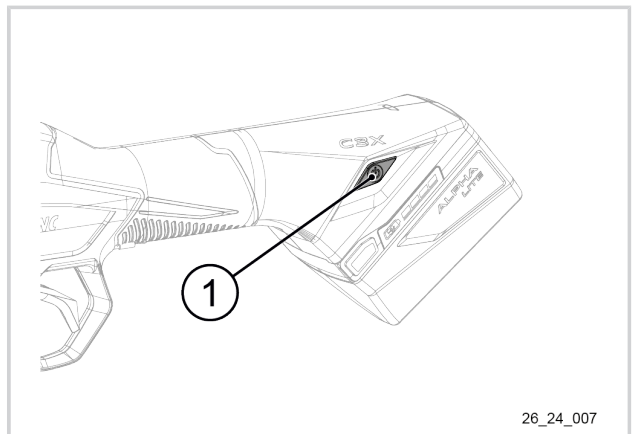


**Important**

He safeties have their limits. The user of the tool will need to be vigilant to ensure that the tool works properly.

Carry out this operation without gloves and with the tool switched off.

1. Press and hold down the ON/OFF button (1).  
The tool will emit a series of beeps to indicate that it is switching on.  
**Do not release the ON/OFF button (1).**
2. Release the ON/OFF button (1) as soon as the tool emits a new series of beeps.

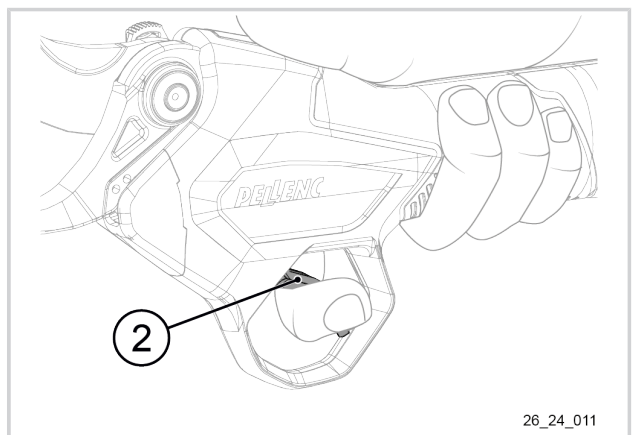


3. Press the trigger (2) three times.
4. Hold down the third press until you hear a series of beeps.

**Note**

The Activ' Security indicator light flashes rapidly red and blue.

If the procedure has not been validated, the tool emits a series of beeps. Switch off the tool and start again from step 1.



5. Release the trigger (2).
6. Press the ON/OFF button (1) to switch off the tool.

## 5.2. ACTIV' SECURITY ACTIVATED

Activ' Security only works when the user is wearing conductive gloves PELLENC or when they are working without gloves.

If the user is wearing other types of gloves, the tool will only start if the Activ' Security has been deactivated beforehand.

See 5.1. Activ'Security deactivated, page 18.

For more information on Activ' Security, see 3.3. Presentation of Activ' Security, page 15.

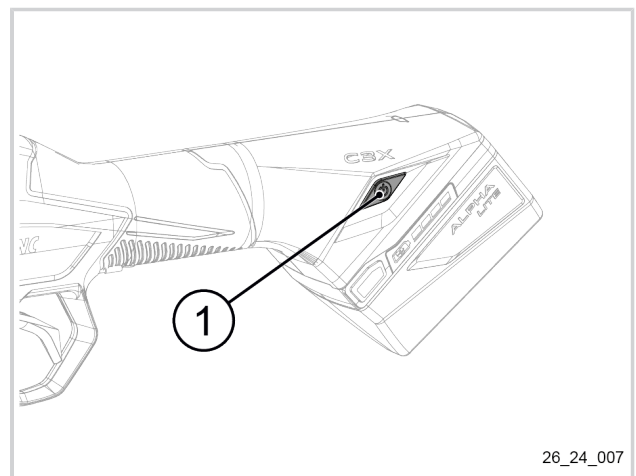
### 5.2.1. ACTIV' SECURITY TOOL ACTIVATED

1. Press the ON/OFF button (1).

#### Note

The tool will emit a series of beeps to indicate that it is switching on.

The Activ' Security LED flashes red while waiting for calibration information.



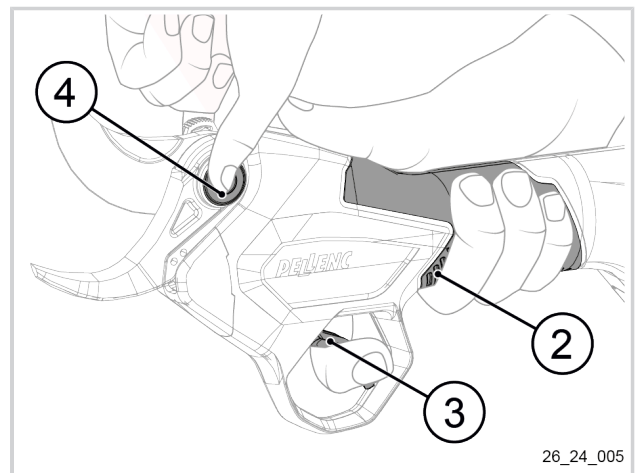
26\_24\_007

2. Hold the tool in your hand, making sure your fingers are in contact with the conductive pad (2).
3. Place the index finger of the hand holding the tool on the trigger (3).
4. Grip on both sides of the blade pin (4) with the other hand.

#### Note

The Activ' Security LED turns solid red when the tool has saved the user-related calibration parameters.

5. Release the blade pin (4).  
The tool emits a series of beeps.



26\_24\_005

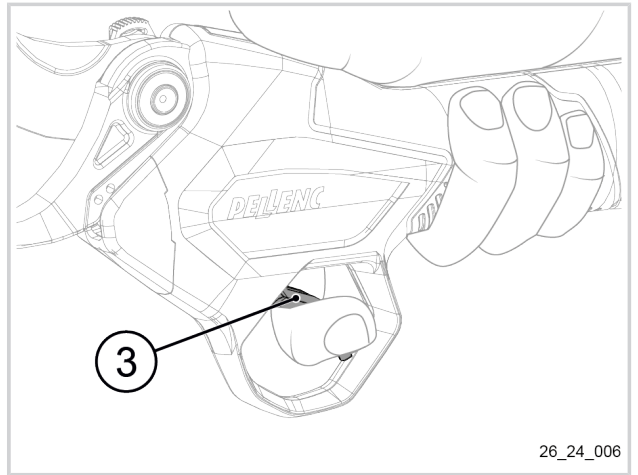
#### Note

The Activ' Security LED turns blue.

- Press the trigger (3) with your index finger to operate the tool.

**Note**

For the tool to work, the user of the tool must not touch the cutting head and be in contact with the conductive pad simultaneously.



26\_24\_006

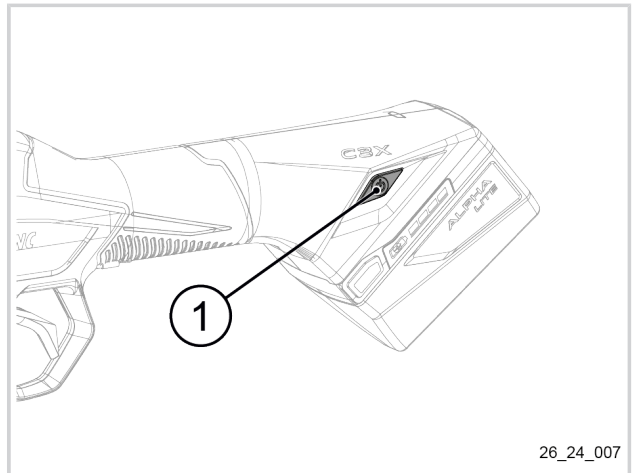
**5.2.2. DEACTIVATE ACTIV' SECURITY**

**Important**

Carry out this operation without gloves.

The tool must be switched off, see 5.5. Switching off the pruning shears, page 25.

- Press and hold down the ON/OFF button (1).  
The tool will emit a series of beeps to indicate that it is switching on.  
**Do not release the ON/OFF button.**
- Release the ON/OFF button (1) as soon as the tool emits a new series of beeps.



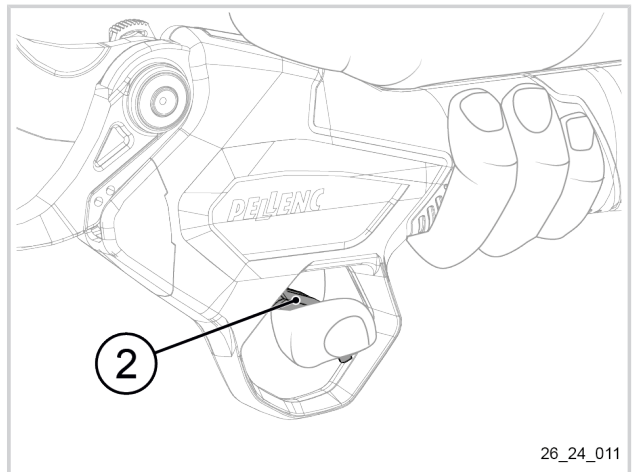
26\_24\_007

- Press the trigger (2) three times.
- Hold down the third press until you hear a series of beeps.

**Note**

If the procedure has not been validated, the tool emits a series of beeps. Switch off the tool and start again from step 1.

- Release the trigger (2).

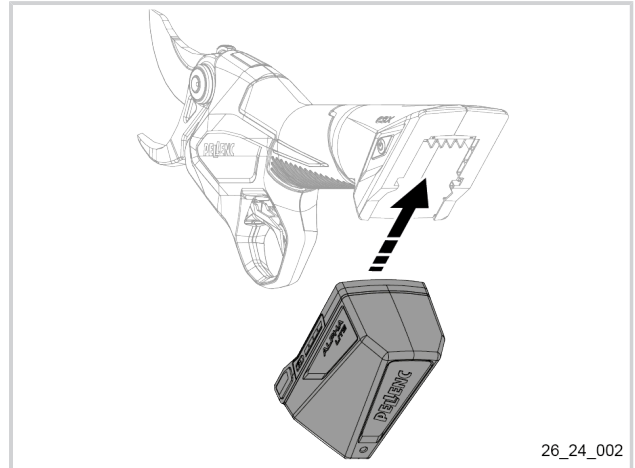


26\_24\_011

**5.3. BLADE OPENINGS**

**5.3.1. FULL OPENING OF THE BLADE POSITION BLADE IN WIDE-OPEN POSITION BEFORE ANY MAINTENANCE OPERATION**

1. Check the tool and battery connectors for contamination.
2. Insert the battery until you hear it click into place.



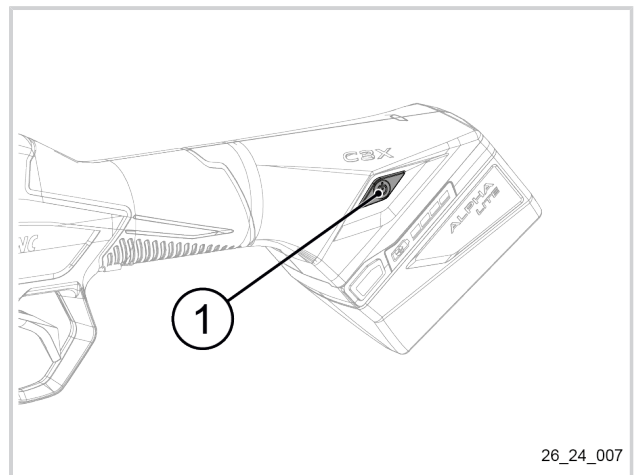
1. Press the ON/OFF button (1).

**Note**

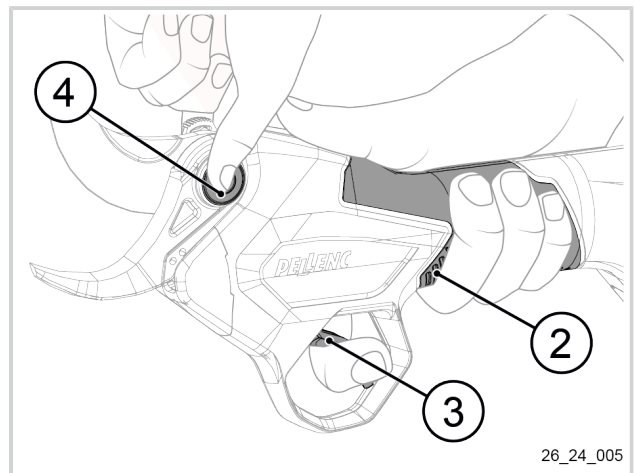
The tool will emit a series of beeps to indicate that it is switching on.

The tool will emit three short beeps to indicate that it is switching on.

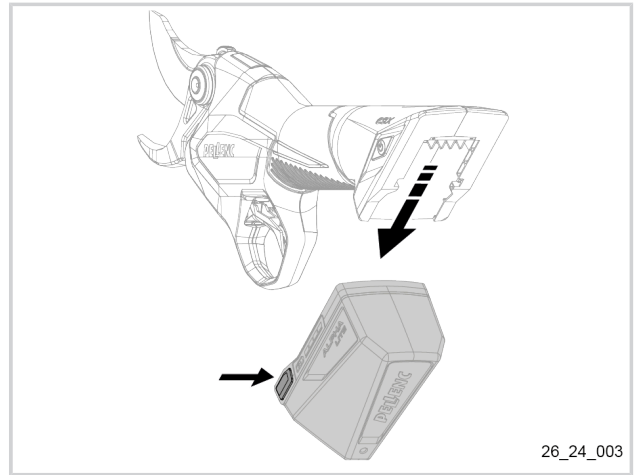
The Activ' Security LED flashes slowly red.



2. Take the tool into your hand.
3. **If Activ' Security is activated:**
  - Hold the tool in your hand, making sure your fingers are in contact with the conductive pad (2).
  - Place the index finger of the hand holding the tool on the trigger (3).
  - Grip on both sides of the blade pin (4) with the other hand.
  - Release the blade pin (4).  
The tool emits a series of beeps.
4. Press the trigger (3) with the index finger of the hand holding the tool.  
The blade opens.



5. Pinch the battery's buttons.
6. Disconnect the battery.

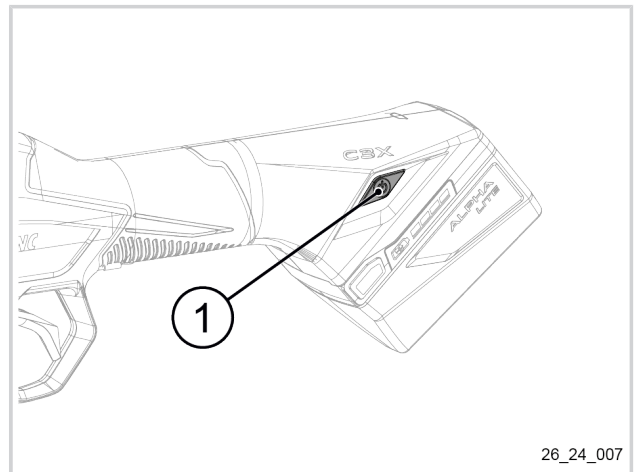


### 5.3.2. HALF-OPENING OF THE BLADE

#### Important

The tool must be switched off, see 5.5. Switching off the pruning shears, page 25.

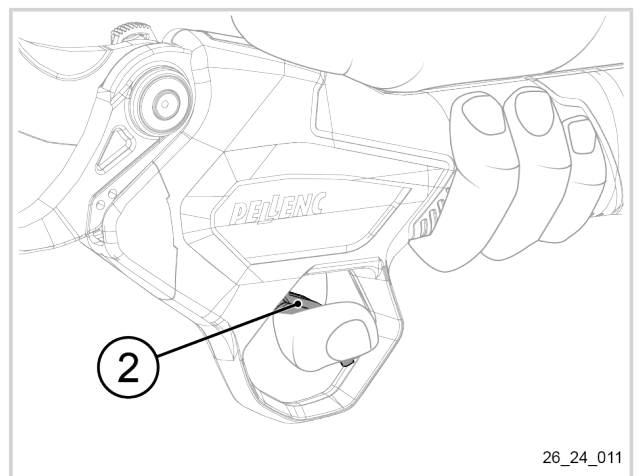
1. Press and hold down the ON/OFF button (1).  
The tool will emit a series of beeps to indicate that it is switching on.  
**Do not release the ON/OFF button (1).**
2. Release the ON/OFF button (1) as soon as the tool emits a new series of beeps.



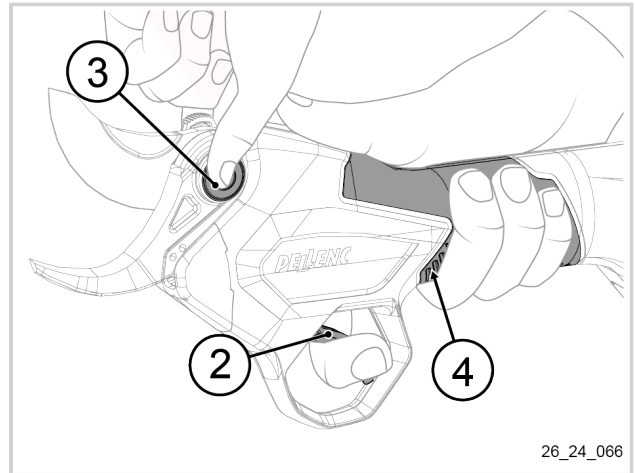
3. Hold down the trigger (2) until the tool emits a series of beeps.

#### Note

If the procedure has not been validated, the tool emits a series of beeps. Switch off the tool and start again from step 1.



4. **If Activ' Security is activated:**
  - Make sure that your fingers are in contact with the lower conductive pad (4).
  - Place the index finger of the hand holding the tool on the trigger (2).
  - Grip on both sides of the blade pin (3) with the other hand.
  - Release the blade pin (3).  
The tool emits a series of beeps.
  - Press the trigger (2).
5. **If Activ' Security is deactivated:**
  - Press the trigger (2).
6. Press the touch area (5) to switch the pruning shears to the blade-half-open position.



26\_24\_066

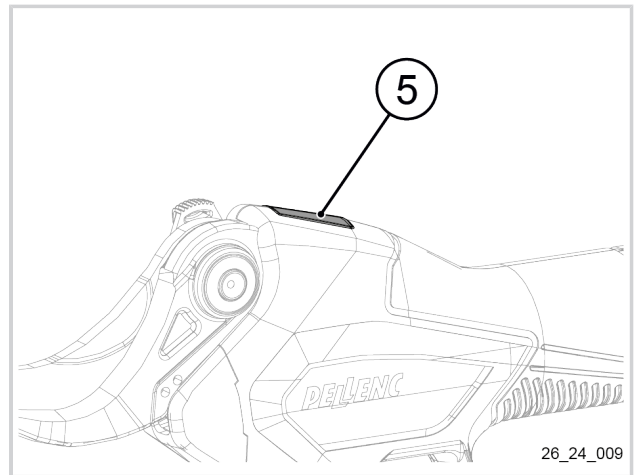
**Note**

The tool will emit a series of beeps.

7. Press the touch area (5) again to switch to the blade-fully-open position.

**Note**

The tool will emit a series of beeps.



26\_24\_009

**5.4. SWITCHING THE PRUNING SHEARS TO STANDBY MODE**

1. Press the trigger (1) for a long time.

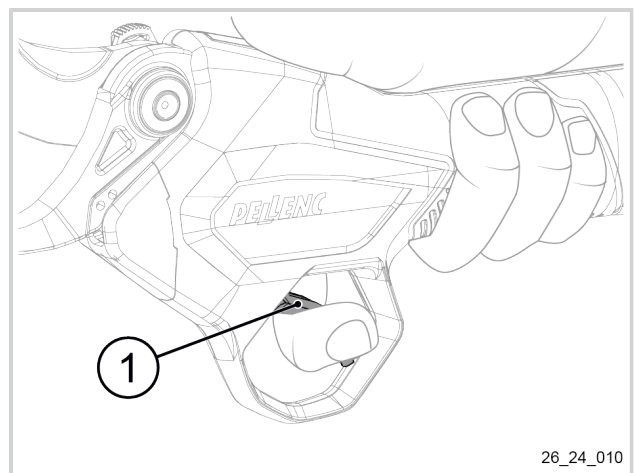
**Note**

The status indicator light switches to flashing green.  
The tool emits a series of beeps.

2. Press the trigger (1) briefly to reactivate the tool.

**Note**

The status indicator light switches to steady green.



26\_24\_010



### 5.5. SWITCHING OFF THE PRUNING SHEARS

1. Hold down the trigger (2).

**Note**

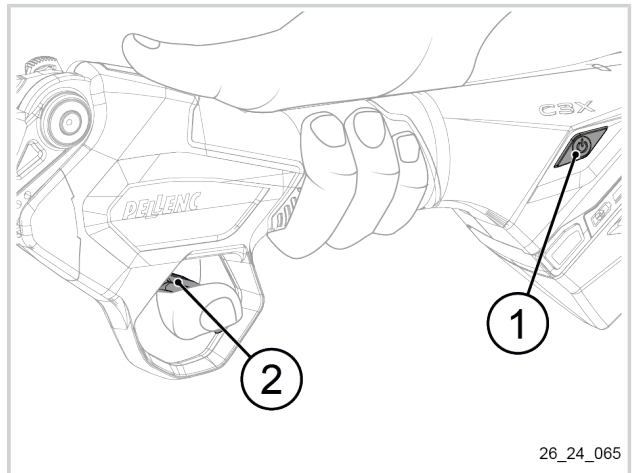
Without this operation, the blade remains open even when the tool is switched off.

2. Press the ON/OFF button (1).

**Note**

The tool will emit a series of beeps to indicate that it is switching off.

3. Release the trigger (2).



26\_24\_065

**6. MAINTENANCE**

**6.1. FREQUENCY OF OPERATIONS**



**Caution**

- All maintenance operations must be carried out with the battery disconnected from the tool, unless otherwise specified in the procedure.
- Use products recommended by PELLENC.
- In the event of any problem, consult an authorised PELLENC dealer.

**Maintenance schedule**

Operations	Frequency of operations			
	At each start-up <sup>1</sup>	Every 4 hours	Every week	After use
Visually check the general condition of the tool. See 6.3.2. Visual check of the general condition of the tool, page 28.	X			
Check the operating trigger. See 6.3.3. Checking the operating trigger, page 28.	X			
Check the sharpness of the blade. See 6.4. Sharpening the blade, page 29.				X
Check the tightness of the blade. See 6.5. Check the tightness of the blade, page 30.	X			
Check the crossing over of the hook and the blade. See ???.	X			
Clean the tool (blowing or brushing, not high pressure jet cleaning). See 6.7. Cleaning the tool, page 30.				X
Grease the blade. See 6.6. Greasing the blade, page 30.			X	
Check the functioning of the Activ' Security. see 6.3.1. Checking the operation of the Activ'Security and the conductivity of the gloves, page 27	X	X		
Check the condition of the gloves and their conductivity. see 6.3.1. Checking the operation of the Activ'Security and the conductivity of the gloves, page 27	X	X		
Check the battery charge level.	X			X
Have the tool checked by a PELLENC authorised dealer.	<p><b>Important</b></p> <p>Have the machine serviced every 400 hours or at least once a year by a PELLENC authorised dealer. Always store the tool clean and in a dry place, with the battery charged.</p>			
Changing the blade kit See 6.8. Changing blade or shaft, page 31.	EVERY 200 HOURS or as necessary to maintain a good quality cutting, replace the blade.			
Battery	Please refer to the battery operating instructions.			

## 6.2. MAINTENANCE ADVICE

If the cut is no longer clean and effortless, this means that the tool is consuming more energy than necessary. Check the following points:

1. blade sharpening,
2. the tightness of the blade,
3. greasing of the blade pin,
4. general condition of the tool.

The operating time and service life of the pruning shears mainly depend keeping the blade properly sharpened and tightened.

## 6.3. CHECK

### 6.3.1. CHECKING THE OPERATION OF THE ACTIV'SECURITY AND THE CONDUCTIVITY OF THE GLOVES

Each time the tool is switched on, the safety system waits for initialisation.



#### Warning

For the proper functioning of the safety system, it is imperative to use conductive gloves PELENC or no gloves at all.



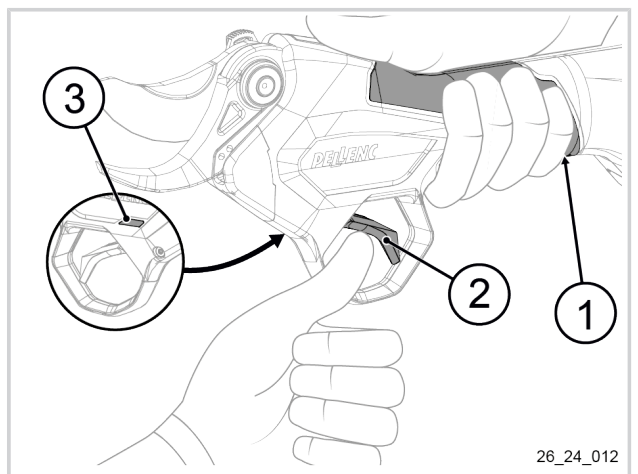
#### Warning

In the event of any problem, consult an authorised PELENC dealer.

**At the beginning of each day or change of user**, it is necessary to ensure that the Activ' Security is working properly. Two methods of verification are possible:

#### Method No. 1:

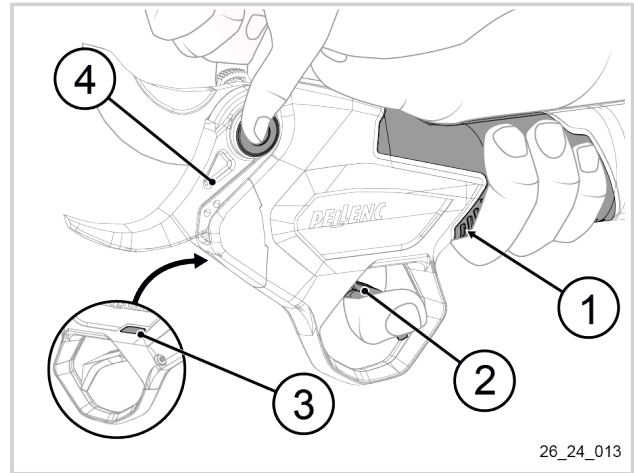
1. Switch the tool on.
2. Hold the tool in your hand, making sure your fingers are in contact with the conductive pad (1).  
The "Activ' Security" LED (3) is solid red.
3. Check the conductivity of each finger of the opposite hand by pressing them one by one against the trigger (2).  
The "Activ' Security" LED (3) must be blue (fixed or flashing) each time a finger is fitted on the trigger.
4. Check the correct operation of the blade according to the position of the trigger (2).



26\_24\_012

**Method No. 2:**

1. Switch the tool on.
2. Hold the tool in your hand, making sure your fingers are in contact with the conductive pad (1).
3. Place the index finger of the hand holding the tool on the trigger (2).
4. Grip on both sides of the blade pin (4) with the other hand.  
The "Activ' Security" LED (3) is solid red.
5. Release the blade pin (4).  
The tool emits a series of beeps.  
The "Activ' Security" LED (3) must be blue.
6. Check the correct operation of the blade according to the position of the trigger (4).



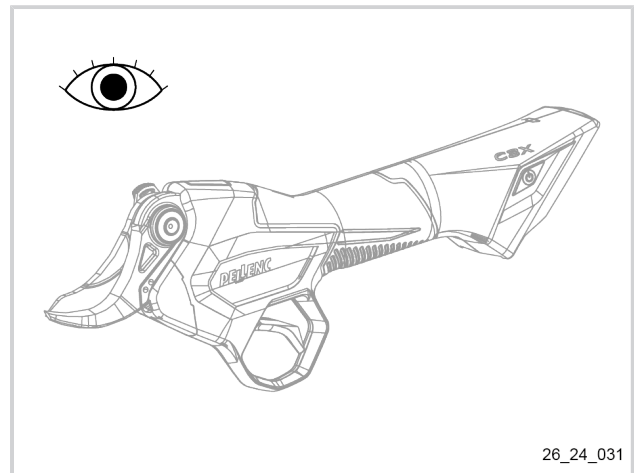
26\_24\_013

**Note**

When the blade is held in the open position and the "Activ' Security" LED is lit red by the tool in the event of simultaneous contact with the two conductive surfaces, this means that Activ' Security is functioning. In case of malfunction, try to increase the contact area with the tool and wear/replace your conductive gloves.

**6.3.2. VISUAL CHECK OF THE GENERAL CONDITION OF THE TOOL**

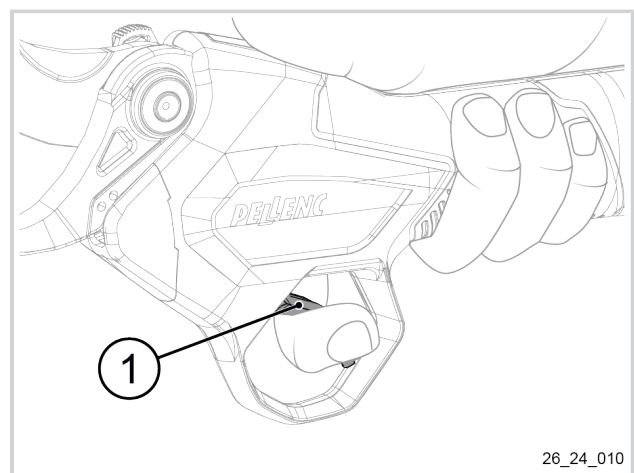
- Visually check the general condition of the tool.



26\_24\_031

**6.3.3. CHECKING THE OPERATING TRIGGER**

1. Check the operation and condition of the operating trigger (1).
2. Check that there are no physical obstructions (e.g. tape, collar, etc.) preventing or hindering the operation of the operating trigger (1).
3. Check the operation of the operating trigger (1) by pressing it.



26\_24\_010

**6.4. SHARPENING THE BLADE**

This operation is essential because it determines the quality of the cut of the tool, guarantees the longevity of the blades and mechanical parts and preserves the autonomy of the battery.

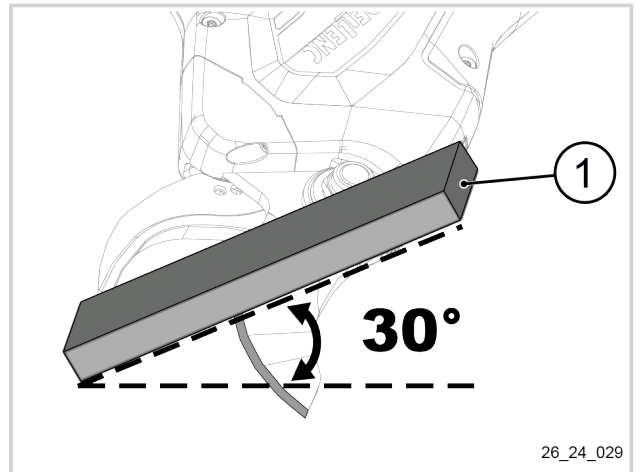
The frequency of blade sharpening depends on:

- the wood being cut (hardness and diameter),
- the rate of pruning,
- the sharpening tool. A sharpening stone is supplied with your tool.

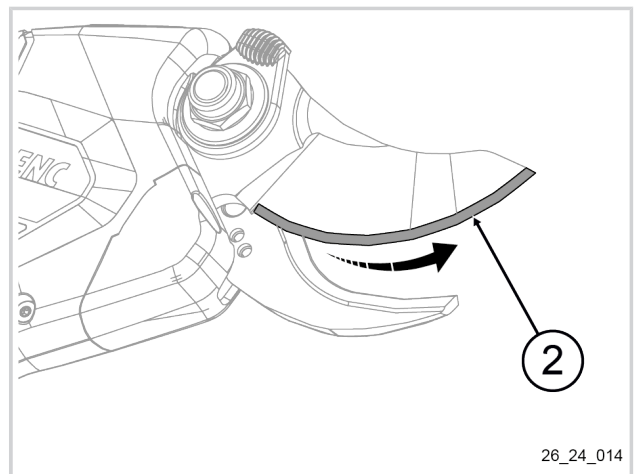
1. Open the tool blade fully  
See 5.3. Blade openings, page 22.
2. Switch off the tool.  
See 5.5. Switching off the pruning shears, page 25.
3. Disconnect the battery from the tool.  
See 4.3. Disconnecting the battery from the tool, page 16.
4. Pose the sharpening stone (1) onto the blade on the right-hand side of the tool.

**Important**

Incline the stone about 30° to match the edge of the blade perfectly.



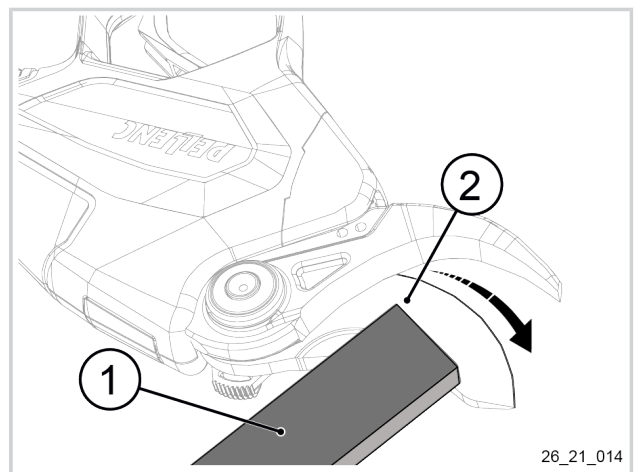
5. Refresh only the 1st cutting angle (2) from the inside to the outside until the burr is removed from the blade edge.



6. Turn the tool over.
7. Deburr the back of the blade (2) once, posing the sharpening stone flat from the inside out.

**Important**

It is imperative to remove the burr from the edge of the blade and to carry out the first refreshment within the first 15 minutes of use, then every 1 or 2 days maximum.



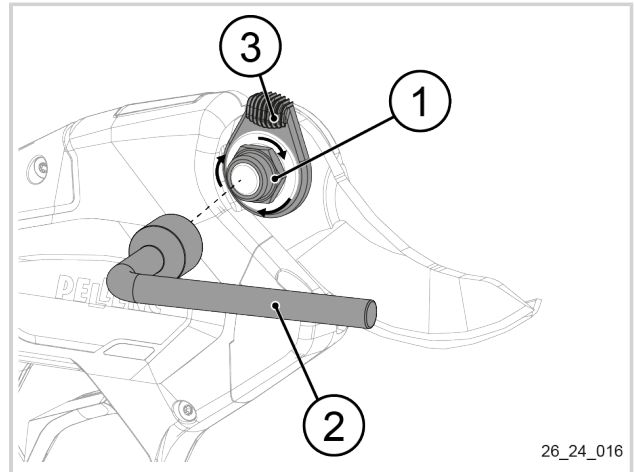
### 6.5. CHECK THE TIGHTNESS OF THE BLADE

For optimum cutting quality, regularly check the blade's tightness:

1. Switch off the tool.  
See 5.5. Switching off the pruning shears, page 25.
2. Disconnect the battery from the tool.  
See 4.3. Disconnecting the battery from the tool, page 16.
3. Tighten the nut (1) with the supplied spanner (2) until the knurled lock washer (3) turns with difficulty.

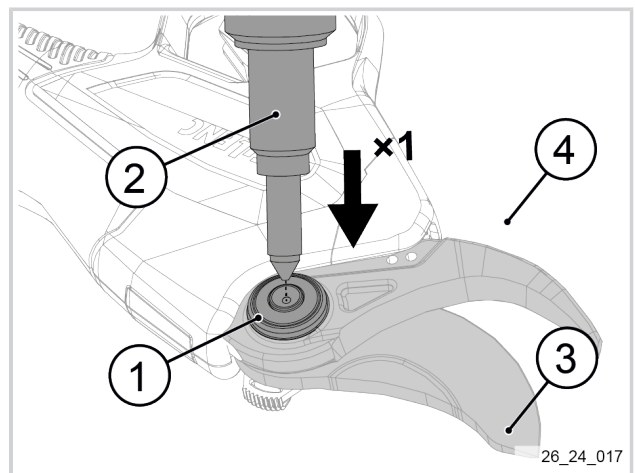
#### Note

Excessive tightening can cause the tool to overheat, resulting in high battery consumption and a significant reduction in battery life.



### 6.6. GREASING THE BLADE

1. Bring the supplied grease gun (2) into contact with the tool's blade pin (1) by pressing once until the grease appears between the blade (3) and the hook (4).
2. Remove the grease gun (2).



### 6.7. CLEANING THE TOOL

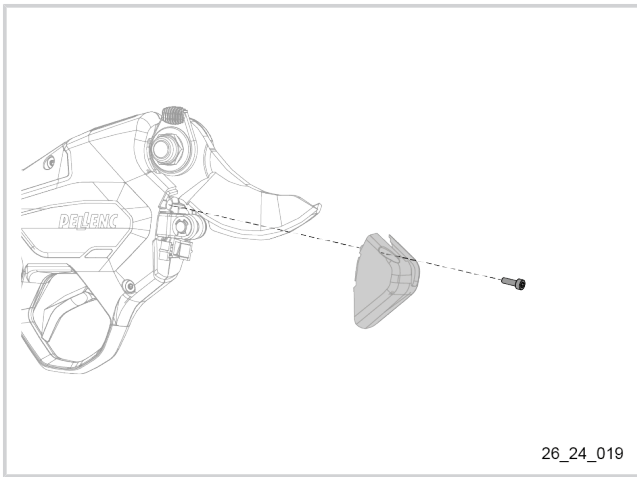
Avoid the formation of abrasive paste (oil + soil) as much as possible by frequent cleaning. To do so:

- Clean the front of the tool with a cloth and compressed air, avoid solvents such as: trichloroethylene, white spirit, petrol, etc.
- Grease the blade and blade pins lightly but often with the grease gun supplied, see 6.6. Greasing the blade, page 30.

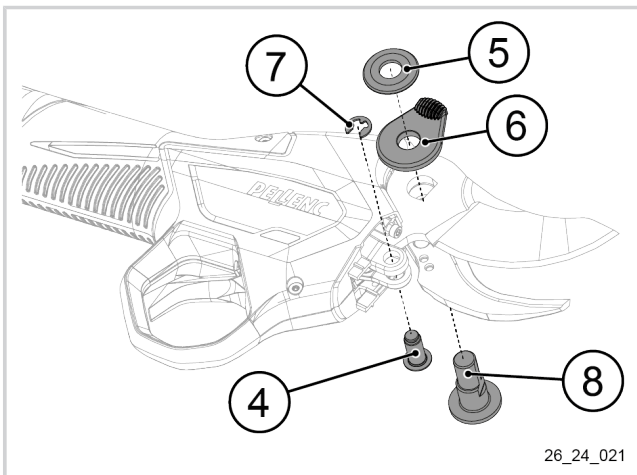
**6.8. CHANGING BLADE OR SHAFT**

**6.8.1. REMOVAL OF THE BLADE AND ITS PIN**

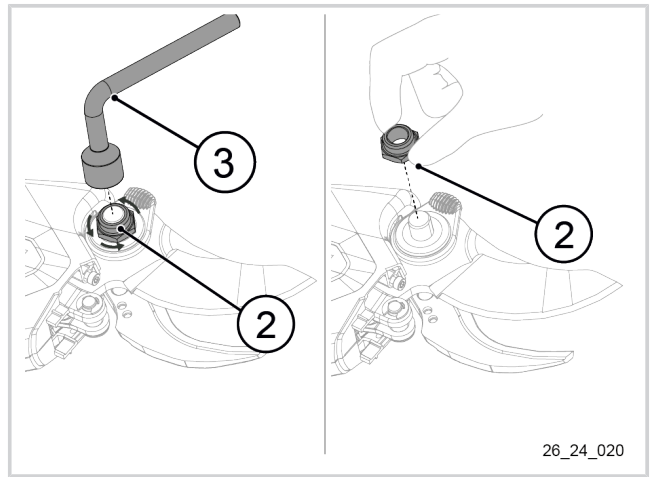
1. Open the blade fully.  
See 5.3. Blade openings, page 22.
2. Switch off the tool.  
See 5.5. Switching off the pruning shears, page 25.
3. Disconnect the battery from the tool.  
See 4.3. Disconnecting the battery from the tool, page 16.



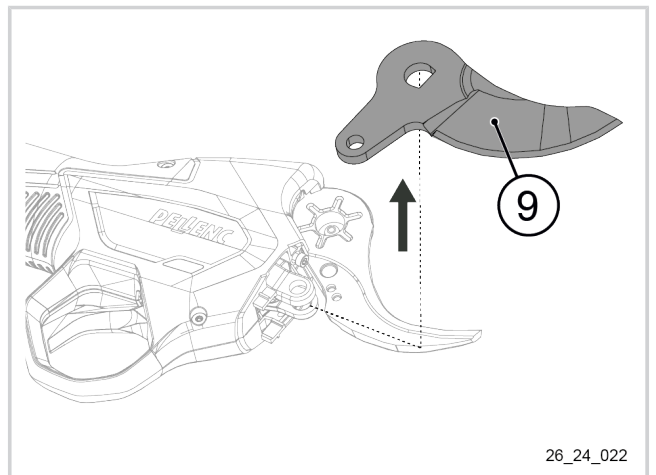
4. Loosen the screw.
4. Remove the screw.
4. Remove the maintenance hatch (1).



9. Remove the parts in this order:
  - The blade pin (4),
  - The washer (5),
  - The knurled adjustment washer (6),
  - The circlip (7) by levering with a small screwdriver,
  - the clevis pin (8).



5. Loosen the nut (2) using the spanner provided (3).
6. Remove the nut (2).



10. Remove the blade (9) and dispose of it.

**Note**

To reinstall the blade and pins, see 6.8.2. Fitting of the blade and its pins, page 32.

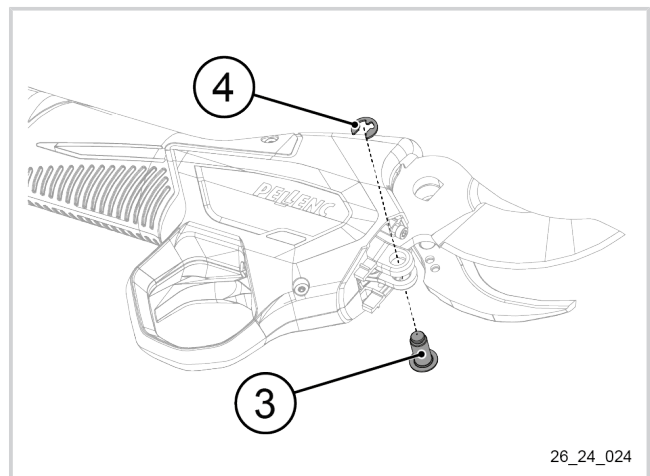
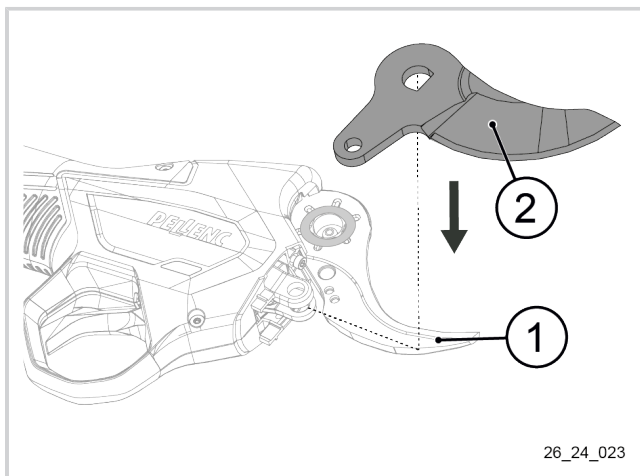
**6.8.2. FITTING OF THE BLADE AND ITS PINS**

**Note**

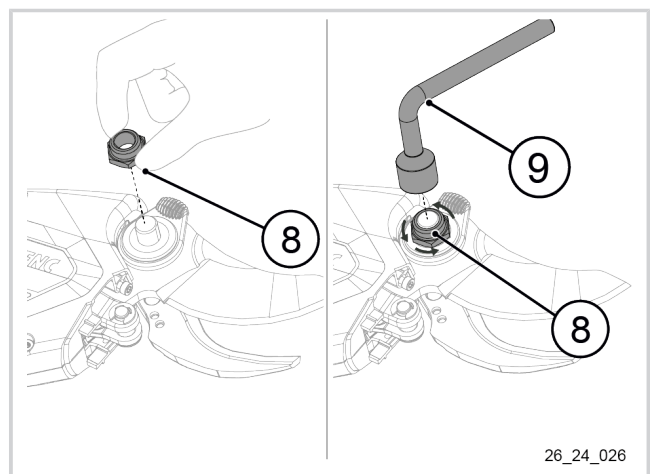
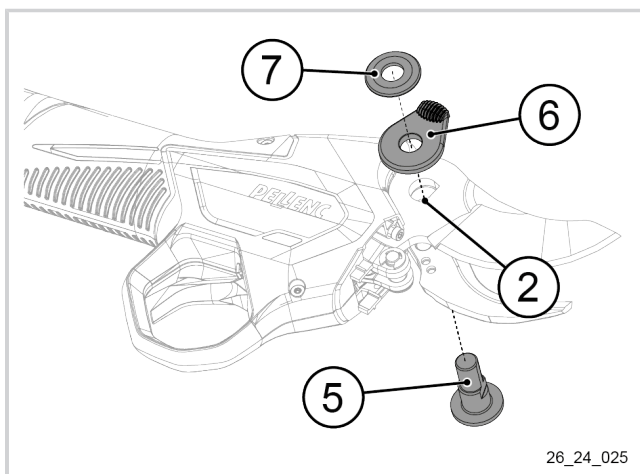
To remove the blade, the pins and change the worn parts, see 6.8.1. Removal of the blade and its pin, page 31.

Before fitting the blade and tool pins:

1. Make sure the tool is switched off.  
See 5.5. Switching off the pruning shears, page 25.
2. Make sure the battery is disconnected from the tool.  
See 4.3. Disconnecting the battery from the tool, page 16.

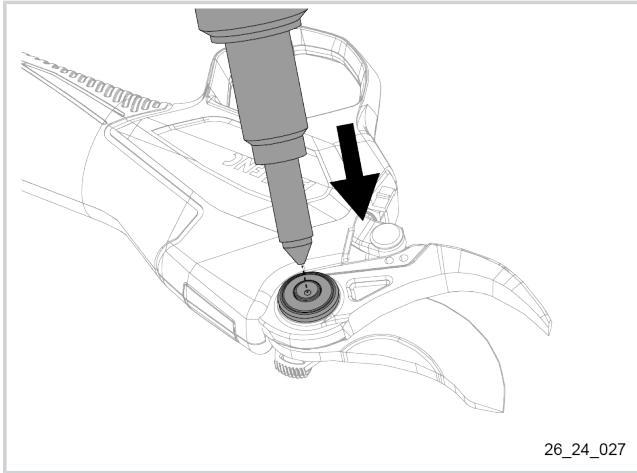


3. Grease the surface of the hook (1) in contact with the blade (2) with the tube of grease supplied.
4. Fit the blade (2) on the hook (1).
5. Grease the clevis pin (3) with the supplied tube of grease.
6. Install the clevis pin (3) on the tool link.
7. Fit a new circlip (4) with the sharp edge facing outwards onto the clevis pin (3).

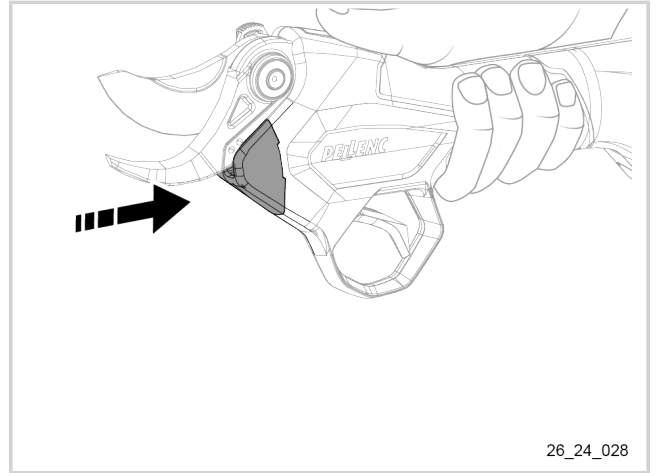


8. Align the flat on the blade pin (5) with the alignment marker on the blade (2).
9. Fit the blade pin (5).
10. Replace the knurled locking washer (6),
11. then the washer (7).
12. Fit the nut (8) on the blade pin.
13. Tighten the nut (8) using the spanner provided (9).  
See 6.5. Check the tightness of the blade, page 30.





14. Grease the blade pin (5).  
See 6.6. Greasing the blade, page 30.



15. Position the maintenance hatch (1).  
16. Position the screw.  
17. Tighten the screw to a torque of 0.6 N.m.

**7. INCIDENTS AND TROUBLESHOOTING**

**7.1. TABLE OF INCIDENTS AND BREAKDOWNS**



**Caution**

Never attempt to open or repair the battery pack or the charger

Problem	Probable cause	Check	Possible action
The tool does not start	The tool is switched off	Check that the tool is switched on.	Switch on the tool.
	Battery discharged	Check that the battery is not completely discharged.	Recharge the battery.
	Problem related to the activation/deactivation of Activ' Security and the presence or absence of gloves PELLENC.	Check the Activ' Security activation and/or the Activ' Security power-up procedure.	See 6.3.1. Checking the operation of the Activ'Security and the conductivity of the gloves, page 27.
	Poor connection between tool and battery	Check that the tool is connected to the battery.	See 4.2. Connecting the battery to the tool, page 16.
The tool makes an unusual noise	Internal breakage	PELLENC authorised dealer	PELLENC authorised dealer.
The tool stops during use	The tool has reached its temperature limit	Abnormally high tool temperature.	Check that the tool is being used under the recommended conditions.  See 2. Safety, page 6.
	Internal breakage	PELLENC authorised dealer	PELLENC authorised dealer.
	Stop and restart the tool; if the tool still does not start, see the "The tool does not start" section of this table.		
Loss of efficiency and/or cutting quality of the tool	Ineffectiveness of the blade	Check the sharpness of the blade, the tightness of the blade, the greasing of the blade and the crossing of the blade and hook.	See 6. Maintenance, page 26.
	The cutting diameter does not correspond to the maximum capacity of the pruning shears		Cut only branches that are suitable for your tool.
	Battery partly discharged	Check that the battery is sufficiently charged.	Recharge the battery.
The tool displays an error code	See 7.3. Summary of pruning shear status indicator light codes, page 36.		
The blade no longer opens in half-open position	Mode problem	Check that you are in a half-open mode	See 5.3.2. Half-opening of the blade, page 23.
	Touch area problem	Check the touch area	See 5.3.2. Half-opening of the blade, page 23.
	Trigger problem	Check the trigger	See 6.3.3. Checking the operating trigger, page 28.

If the tool does not work, return the complete equipment in its original packaging to an authorised repairer PELLENC.

**7.2. ACTIV' SECURITY LED CODES SUMMARY**

<b>Normal operation codes</b>	
<b>Start-up</b>	
Flashing red	• Waiting for initialization
Red and (light) blue fixed	• Activ' Security initialized: user detected on pad and hook
Slow flashing red	• Activ'Security deactivated
<b>Use</b>	
Steady blue	• No fault detected: user detected between pad and trigger
Flashing blue	• No fault and low Activ' Security threshold: user detected between pad and trigger
Slow flashing red and alarm sound	• Activ'Security deactivated
<b>Degraded Mode codes</b>	
<b>Use</b>	
Rapid flashing red	• Poor connection between the hook and the trigger board
<b>Fault codes</b>	
<b>Start-up</b>	
Flashing red and blue	• Waiting for initialization and user detected on the pad
<b>Use</b>	
Steady red	• User not detected on pad or trigger
Steady red and (light) blue	• Fault detected: user in contact with the hook and/or not detected on the pad
Steady red and flashing (light) blue	• Fault detected with Activ' Security threshold low: user in contact with the hook and/or not detected on the pad

**7.3. SUMMARY OF PRUNING SHEAR STATUS INDICATOR LIGHT CODES**

Normal operation Codes	
Use	
Blinking green	• The pruning shears are on standby
Steady green	• The pruning shears are active

Error codes	
<p><b>Note</b></p> <p>In the event of an error, the red indicator light lights up and flashes very rapidly, and the green indicator light flashes a number of times depending on the error.</p>	
Green indicator light flashing once	• The pruning shears are in overcurrent or undervoltage
Green indicator light flashing twice	• Trigger position fault detected
Green indicator light flashing three times	• Motor rotation sensor fault detected
Green indicator light flashing four times	• Ball nut position sensor fault detected
Green indicator light flashing five times	• Tool overheating
Green indicator light flashing six times	• The electronic circuit board is damaged. Can only occur at start-up
Green indicator light flashing seven times	• Fault detected with Activ' Security
Green indicator light flashing eight times	• Fault detected with the software

## 8. STORAGE AND TRANSPORT

### 8.1. STORAGE

1. Switch off the tool.  
See the operating instructions for the battery.
2. Disconnect the battery from the tool.  
See 4.3. Disconnecting the battery from the tool, page 16.
3. Clean the pruning shears.  
See 6.7. Cleaning the tool, page 30.
4. Store the pruning shears in their carrying case away from heat, dust and moisture.
5. Storing the battery.  
See the operating instructions for the battery.

#### **Note**

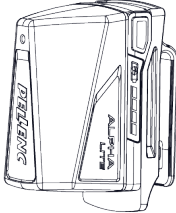
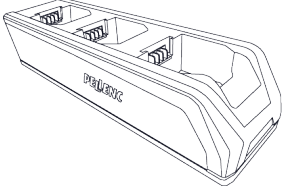
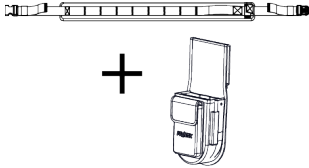
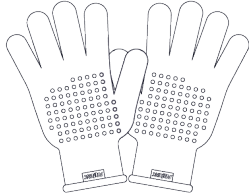
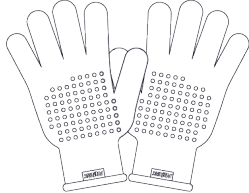
It is possible to have the pruning shears serviced by an authorised repairer out of season. For more information, consult an authorised dealer or contact PELLENC.

**9. ACCESSORIES AND CONSUMABLES**

**9.1. ACCESSORIES INCLUDED**

For a list of accessories included with the tool, see 4.1. Content of the carry-case, page 16.

**9.2. OPTIONAL ACCESSORIES**

Name	Reference	
Alpha Lite battery	57301	 <p>26_24_033</p>
Alpha Lite "3 Batteries" charger	57299	 <p>26_24_036</p>
C3X carrying kit	57298	 <p>26_24_035</p>
Activ' Security Comfort Gloves	164452	 <p>26_24_034</p>
Activ' Security Vegetation Gloves	164453	 <p>26_24_034</p>

**9.3. CONSUMABLES**

Name	Reference
Sharpening stone	02322
Tube of grease	170755
C35 blade kit	159025
C35 feather blade kit	159029
C3X maintenance kit	176945

## 10. WARRANTIES

### 10.1. GENERAL WARRANTIES

#### 10.1.1. STATUTORY WARRANTY

##### 10.1.1.1. LATENT DEFECTS WARRANTY

Apart from the commercial warranty provided for under Article II, Article 1641 of the French Civil Code states that "the seller is bound to a warranty on account of latent defects of the object sold which render it unfit for the use for which it was intended, or which would impair said use to the extent that the buyer would not have acquired it, or would only have paid a lesser price for it, had he/she known of them".

Article 1648 of the French Civil Code "The action resulting from latent defects must be brought by the purchaser within two years after the discovery of the defect."

##### 10.1.1.2. LEGAL GUARANTEE OF CONFORMITY

Article L.217-4 of the French Consumer Code "The seller delivers goods in compliance with the contract and is liable for defects of conformity existing upon delivery.

The seller is also liable for any lack of conformity resulting from the packaging, assembly or installation instructions whenever its contractual liability is engaged in this regard or the latter are carried out under its responsibility.

Article L.217-5 of the French Consumer Code "Goods are compliant with the contract":

1. If they are fit for the purpose normally expected of similar goods and, where applicable:
  - If they correspond to the description given by the seller and possess the qualities that were presented to the buyer in the form of a sample or model;
  - If they possess the qualities that a buyer can reasonably expect given the public statements made by the seller, the producer or its representative, especially in advertising or labelling;
2. Or if it has the characteristics defined by mutual agreement between the parties or be suitable for any special use sought by the buyer, brought to the attention of the seller and accepted by the latter.

Article L.217-12 of the French Consumer Code "legal action resulting from lack of conformity lapses two years after delivery of the goods".

#### 10.1.2. PELENC COMMERCIAL WARRANTY

##### 10.1.2.1. CONTENTS

###### 10.1.2.1.1. GENERAL INFORMATION

In addition to legal warranties, client users benefit from the commercial warranty on PELENC products covering the exchange and replacement of parts recognised as being out of order, due to machining defects, assembly defects or material defects, whatever the cause.

The warranty forms an inseparable whole with the product sold by PELENC.

###### 10.1.2.1.2. SPARE PARTS

The commercial warranty also covers PELENC original spare parts, excluding labour and to the exclusion of certain parts of each product provided at delivery.



### **10.1.2.2. DURATION OF WARRANTY**

#### **10.1.2.2.1. GENERAL INFORMATION**

PELLENC products are guaranteed under the commercial warranty as from delivery to the customer for a period of two (2) years for products connected to a PELLENC battery, and for a period of one (1) year for other PELLENC products.

#### **10.1.2.2.2. SPARE PARTS**

PELLENC replacement parts replaced under the product warranty are guaranteed under the commercial warranty as from delivery of the PELLENC product to the customer user for a period of two (2) years for products connected to a PELLENC battery, and for a period of one (1) year for other PELLENC products.

In the case of products connected to a PELLENC battery, parts that are replaced under the product warranty after the 12th month of use, are covered for a period of one (1) year.

#### **10.1.2.2.3. WARRANTY EXCLUSIONS**

Products that have been subject to abnormal use, or that have been used under conditions and for purposes other than those for which they were manufactured, are excluded from the commercial warranty, especially in the case of non-compliance with the conditions stipulated in this user manual.

Nor does it apply in the event of impact, dropping, negligence, lack of supervision or maintenance or if the product has been transformed. Products that have been altered, transformed or modified by the user customer are also excluded from the warranty.

Wear parts and/or consumables are not covered by the warranty.

### **10.1.2.3. IMPLEMENTATION OF THE COMMERCIAL WARRANTY**

#### **10.1.2.3.1. PRODUCT COMMISSIONING AND COMMISSIONING DECLARATION**

No later than eight days after delivery of the goods to the user customer, the DISTRIBUTOR undertakes to complete the computerised commissioning declaration form in order to activate the latter on the website [www.pellenc.com](http://www.pellenc.com), under the heading "Extranet Access" in the "Pellenc Extranet Service" menu, using the identifier previously issued by PELLENC.

Failing that, commissioning declaration will not be effective and implementation of the PELLENC commercial warranty will not occur. As a consequence thereof, the DISTRIBUTOR must ensure the financial burden of its intervention under the warranty without being able to pass on the cost to the client user.

The DISTRIBUTOR also undertakes to complete the warranty card or the certificate of warranty and commissioning for self-propelled equipment provided with the product after having the user customer sign and date it.

### **10.1.3. PAID AFTER-SALES SERVICE**

#### **10.1.3.1. GENERAL INFORMATION**

Malfunctions, breakdowns, breakages resulting from misuse, negligence or improper maintenance by the user customer, as well as malfunctions resulting from the normal wear of the product, are subject to the payment of the after-sales service, even during the period of the legal and commercial warranty. After-sales service repairs that fall

outside of the legal and commercial warranty also include maintenance, adjustments, diagnostics of all types, and cleaning, without the present list being exhaustive.

#### **10.1.3.2. WEAR PARTS AND CONSUMABLES**

Wear parts and consumables also fall within the after-sales service.

#### **10.1.3.3. SPARE PARTS**

Paid after-sales service also covers PELLENC original spare parts, excluding labour and outside the legal and commercial warranty period.

In case of replacement of original PELLENC spare parts in the context of after-sales service, said latter are covered by a warranty of one year as from the installation date.

**11. STATEMENTS OF COMPLIANCE**

**11.1. STATEMENT  OF COMPLIANCE: C3X**

MANUFACTURER / PERSON AUTHORISED TO COMPILE THE TECHNICAL FILE	PELLENC
ADDRESS	Quartier Notre-Dame - 84120 Pertuis (France)

We hereby declare that the machine designated below:

GENERIC DENOMINATION	Pruning shears		
FUNCTION	INTENDED FOR PRUNING		
COMMERCIAL NAME	C3X		
TYPE	C3X		
MODEL	C3X		
SERIAL NO.	26X00001 - 26X99999	26Y00001 - 26Y49999	26Z00001 - 26Z49999

This declaration of conformity is issued under the sole responsibility of the manufacturer.

The object of the declaration described above complies with the relevant Union harmonisation legislation:

- Directive 2006/42/EC
  - EN 62841-1:2015 + A11:2022
- Regulation (REACH) No 1907/2006
- Directive 2014/30/EU
  - EN IEC 55014-1:2021
  - EN IEC 55014-2:2021
- Directive 2011/65/EU
- Directive 2012/19/EU

Signed for and on behalf of:

Simon BARBEAU

CEO



PERTUIS, on 18/04/2024

**11.2. UK DECLARATION OF CONFORMITY <sup>UK</sup>CA : C3X**

MANUFACTURER / ENTITY AUTHORIZED TO COMPILE THE TECHNICAL FILE	PELENC
ADDRESS	Quartier Notre-Dame - 84120 Pertuis (France)

We hereby declare that the machine referred to below as:

GENERIC DENOMINATION	Pruning shears		
FUNCTION	Usó dirigido a la poda		
COMMERCIAL NAME	C3X		
TYPE	C3X		
MODEL	C3X		
SERIAL No.	26X00001 - 26X49999	26Y00001 - 26Y49999	26Z00001 - 26Z49999

This declaration of conformity is issued under the sole responsibility of the manufacturer.

The object of the declaration described above is in conformity with the relevant statutory requirements:

- S.I. 2008 No. 1597 "Machinery"
  - EN 62841-1: 2015 + A11: 2022
- S.I. 2016 No. 1091 Electromagnetic Compatibility Regulations 2016
  - EN IEC 55014-1:2021
  - EN IEC 55014-2:2021
- S.I. 2012 No. 3032 RoHS
- S.I. 2021 No. 904 UK REACH Regulation

Signed by and on behalf of :

Simon BARBEAU  
CHIEF EXECUTIVE OFFICER



SIGNED IN PERTUIS, 18/04/2024







# **PELENC**

   [www.pellenc.com](http://www.pellenc.com)

PELENC  
Quartier Notre Dame - 84120 Pertuis (France)

