

ENG

Translation of the original operating instructions manual



TYING MACHINE FIXION 2

Operating instructions

29_133084-G
02/2022

READ THE USER GUIDE CAREFULLY BEFORE USE

TABLE OF CONTENTS

1. INTRODUCTION	5
2. SAFETY	6
2.1. INTENDED USAGE	6
2.2. GENERAL POWER TOOL SAFETY WARNINGS	6
2.2.1. WORK AREA SAFETY	6
2.2.2. ELECTRICAL SAFETY	6
2.2.3. PERSONAL SAFETY	7
2.2.4. POWER TOOL USE AND CARE	7
2.2.5. BATTERY TOOL USE AND CARE	7
2.2.6. SERVICING	8
2.2.7. MANAGEMENT OF THE RECYCLING AND RECOVERY OF WASTE FROM YOUR TOOL	8
2.3. SAFETY WARNING THE TYING MACHINE	8
2.4. SAFETY MEASURES ASSOCIATED WITH BATTERY USE	8
2.5. SAFETY MEASURES WHEN USING THE "PELENC" CHARGER	9
2.6. SAFETY SIGNAGE	9
2.7. PERSONAL PROTECTION EQUIPMENT	10
3. DESCRIPTION AND TECHNICAL CHARACTERISTICS	11
3.1. DESCRIPTION OF THE TOOL	11
3.2. TECHNICAL FEATURES	12
4. COMMISSIONING	13
4.1. FITTING THE HOLSTER TO THE BELT	13
4.2. FITTING THE LATERAL DISPENSER EQUIPPED WITH THE LARGE TIE BAND SPOOL ONTO THE BELT.	13
4.3. FITTING THE ADAPTABLE DISPENSER LOADED WITH THE SMALL TIE BAND SPOOL ONTO THE TYING MACHINE.	15
5. USE	16
5.1. TYING MACHINE ON/OFF	16
5.2. ADJUSTING THE TIGHTNESS OF THE TIE	16
5.3. RELOAD WITH THE LARGE TIE BAND SPOOL	16
5.4. RELOAD THE SMALL TIE BAND SPOOL	18
5.5. INSERT THE TIES INTO THE TYING MACHINE	19
5.6. GRIP	20
5.7. END OF THE TIE BAND SPOOL	22
5.8. CHARGING THE TOOL	24
5.8.1. INSTRUCTIONS BEFORE CHARGING BUILT-IN BATTERY	24
5.8.2. THE DISPLAY SHOWING REMAINING BUILT-IN BATTERY CAPACITY	24
5.8.3. CHARGING THE BUILT-IN BATTERY	24
6. MAINTENANCE	28

6.1. MAINTENANCE TABLE	28
6.2. SPARE PARTS	28
6.3. NETTOYAGE	28
6.4. REPLACEMENT OF THE UPPER GUIDE	31
6.5. REPLACING THE SUPPORT ROLLER	32
6.6. REPLACING THE TWISTER	34
6.7. BUILT-IN BATTERY	35
6.8. CHARGER	35
7. INCIDENTS AND TROUBLESHOOTING	37
7.1. SUMMARY OF CHARGE INDICATOR AND BEEP MESSAGES	37
7.2. TYING MACHINE AND INTEGRATED BATTERY	37
7.3. CHARGER	38
8. STORAGE AND TRANSPORT	39
8.1. STORAGE	39
9. ACCESSORIES AND CONSUMABLES	39
9.1. ACCESSORIES INCLUDED	39
9.2. OPTIONAL ACCESSORIES	39
9.3. CONSUMABLES	40
9.3.1. TIES	40
10. WARRANTIES	41
10.1. GENERAL WARRANTIES	41
10.1.1. STATUTORY WARRANTY	41
10.1.2. COMMERCIAL WARRANTYPELLENC	41
10.1.3. PAID AFTER-SALES SERVICE	42
11. EC STATEMENT OF COMPLIANCE	44
11.1. "EC" DECLARATION OF CONFORMITY: FIXION 2	44

1. INTRODUCTION

Dear Customer,

Thank you for purchasing your Tying machine FIXION 2 . Properly used and maintained, this equipment will give you years of satisfaction.



Warning

In accordance with product liability laws, we are not responsible for damage caused by our product if the product includes an accessory that is not from the manufacturer or is not approved by the manufacturer. The use of any other accessory may increase the risk of injury.



Warning

Your machine contains numerous recoverable or recyclable materials. Return it to your dealer or, failing this, to an approved servicing centre to be treated.



Comply with the regulations in force in your country as concerns environmental protection associated with your activity.



Warning

It is imperative that you read through the ENTIRE user's manual guide before using or servicing the tool. Always comply with the instructions and illustrations provided in the user's manual.


Throughout the user's manual guide you will find advisory notes and information entitled: NOTE, IMPORTANT, ATTENTION and WARNING.

Points marked "NOTE" indicate additional information.

Points marked "IMPORTANT" warn the user of a potential risk for the equipment.

Points marked "ATTENTION" warn the user of a potentially hazardous situations which if not avoided may result in minor injuries.

Points marked "WARNING" warn the user of a potentially hazardous situation which if not avoided may result in serious injury or death.

The warning  indicates that damage resulting from failure to comply with the procedures and instructions is not covered by the warranty and the owner will be liable for any repair costs.

Safety indications are also given on the tool; they remind you of the safety precautions to be taken. Identify and read these indications before using the tool. Immediately replace any indications that may become partially illegible or deteriorated.

Refer to Section 2.6, "Safety signage" for the location diagram of the safety stickers affixed to the tool.

No part of this manual may be reproduced without the written permission of the company PELENC. The illustrations provided in this manual are for information purposes only and are in no way contractual. The PELENC company reserves the right to make any modification or improvement to its products as deemed necessary without informing customers already in possession of a similar model. This manual forms an integral part of the tool and must accompany the tool if it changes hands.

2. SAFETY

2.1. INTENDED USAGE

- The Tying machine FIXION 2 is a professional tool whose use is reserved exclusively for tying vine shoots.
- Any other use of this tool is not intended.
- The PELENC company accepts no responsibility for any damage caused by improper or unspecified use different from its original intention.
- The user is responsible for any accident resulting from improper use or unauthorized modification of this tool.
- The PELENC company accepts no responsibility for any damage caused by the use of non-original parts or accessories.

2.2. GENERAL POWER TOOL SAFETY WARNINGS



Warning

Read all safety warnings, instructions, illustrations and specifications provided with this power tool. Failure to follow all instructions listed below may result in electric shock, fire and/or serious injury.

Note

Save all warnings and instructions for future reference.

The term "power tool" in the warnings refers to your mains-operated (corded) power tool or battery-operated (cordless) power tool.

2.2.1. WORK AREA SAFETY

1. **Keep the work area clean and well lit.** Cluttered or dark areas invite accidents.
2. **Do not operate power tools in explosive atmospheres, such as in the presence of flammable liquids, gases or dust.** Power tools create sparks, which may ignite the dust or fumes.
3. **Keep children and bystanders away while operating a power tool.** Distractions can cause you to lose control of the tool.

2.2.2. ELECTRICAL SAFETY

1. **Power tool plugs must match the outlet. Never modify the plug in any way. Do not use any adapter plugs with earthed (grounded) power tools.** Unmodified plugs and matching outlets will reduce risk of electric shock.
2. **Avoid body contact with earthed surfaces or grounded surfaces such as pipes, radiators, ranges, and refrigerators.** There is an increased risk of electric shock if your body is earthed or grounded.
3. **Do not expose power tools to rain or wet conditions.** Water entering a power tool will increase the risk of electric shock.
4. **Do not abuse the cord. Never use the cord for carrying, pulling or unplugging the power tool. Keep cord away from heat, oil, sharp edges or moving parts.** Damaged or entangled cords increase the risk of electric shock.
5. **When operating a power tool outdoors, use an extension cord suitable for outdoor use.** Use of a cord suitable for outdoor use reduces the risk of electric shock.
6. **If operating a power tool in a damp location is unavoidable, use a residual current device (RCD) protected supply.** Use of an RCD reduces the risk of electric shock.

2.2.3. PERSONAL SAFETY

1. **Stay alert, watch what you are doing, and use common sense when operating a power tool. Do not use a power tool while you are tired or under the influence of drugs, alcohol or medication.** A moment of inattention while operating power tools may result in serious personal injury.
2. **Use personal protective equipment. Always wear eye protection.** Protective equipment such as dust mask, non-skid safety shoes, hard hat, or hearing protection used for appropriate conditions will reduce personal injuries.
3. **Prevent unintentional starting. Ensure the switch is in the off-position before connecting to power source and/or battery pack, picking up or carrying the tool.** Carrying power tools with your finger on the switch or plugging in power tools with the switch in the on position can cause accidents.
4. **Remove any adjusting key or wrench before turning the power tool on.** A wrench or a key left attached to a rotating part of the power tool may result in personal injury.
5. **Do not overreach. Keep proper footing and balance at all times.** This enables better control of the power tool in unexpected situations.
6. **Dress properly. Do not wear loose clothing or jewelry. Keep your hair and clothing away from moving parts.** Loose clothes, jewelry or long hair can be caught in moving parts.
7. **If devices are provided for connection of dust extraction and collection facilities, ensure these are connected and properly used.** Use of dust collection can reduce dust-related hazards.
8. **Do not let familiarity gained from frequent use of tools allow you to become complacent and ignore tool safety principles.** A careless action can cause severe injury within a fraction of a second.

2.2.4. POWER TOOL USE AND CARE

1. **Do not force the power tool. Use the correct power tool for your application.** The correct power tool will do the job better and safer at the rate for which it was designed.
2. **Do not use the power tool if the switch does not turn it on and off.** Any power tool that cannot be controlled with the switch is dangerous and must be repaired.
3. **Disconnect the plug from the power source and/or remove the battery pack, if detachable, if from the power tool before making any adjustment, changing accessories, or storing power tools.** Such preventive safety measures reduce the risk of starting the power tool accidentally.
4. **Store idle power tools out of the reach of children and do not allow persons unfamiliar with the power tool or these instructions to operate the power tool.** Power tools are dangerous in the hands of untrained users.
5. **Maintain power tools and accessories. Check for misalignment or binding of moving parts, breakage of parts and any other condition that may affect the power tool's operation. If damaged, have the power tool repaired before use.** Many accidents are caused by poorly maintained power tools.
6. **Keep cutting tools sharp and clean.** Properly maintained cutting tools with sharp cutting edges are less likely to bind and are easier to control.
7. **Use the power tool, accessories and tool bits etc. in accordance with these instructions, taking into account the working conditions and the work to be performed.** Use of the power tool for operations different from those intended could result in a hazardous situation.
8. **Keep handles and grasping surfaces dry, clean and free from oil and grease.** Slippery handles and grasping surfaces do not allow for safe handling and control of the tool in unexpected situations.

2.2.5. BATTERY TOOL USE AND CARE

1. **Recharge only with the charger specified by the manufacturer.** A charger that is suitable for one type of battery pack may create a risk of fire when used with another battery pack.
2. **Use power tools only with specifically designated battery packs.** Use of any other battery packs may create a risk of injury and fire.
3. **When battery pack is not in use, keep it away from other metal objects, like paper clips, coins, keys, nails, screws or other small metal objects, that can make a connection from one terminal to another.** Shorting the battery terminals together may cause burns or a fire.
4. **Under abusive conditions, liquid may be ejected from the battery; avoid contact. If contact accidentally occurs, flush with water. If liquid contacts eyes, additionally seek medical help.** Liquid ejected from the battery may cause irritation or burns.

5. **Do not use a battery pack or tool that is damaged or modified.** Damaged or modified batteries may exhibit unpredictable behaviour resulting in fire, explosion or risk of injury.
6. **Do not expose a battery pack or tool to fire or excessive temperature.** Exposure to fire or temperature above 130 °C (or 265°F) may cause explosion.
7. **Follow all charging instructions and do not charge the battery pack or tool outside the temperature range specified in the instructions.** Charging improperly or at temperatures outside the specified range may damage the battery and increase the risk of fire.

2.2.6. SERVICING

1. **Have your power tool serviced by a qualified repair person using only identical replacement parts.** This will ensure that the safety of the power tool is maintained.
2. **Never service damaged battery packs.** Service of battery packs should only be performed by the manufacturer or authorized service providers.

2.2.7. MANAGEMENT OF THE RECYCLING AND RECOVERY OF WASTE FROM YOUR TOOL

1. **When the tool reaches the end of its life, PELLENC keeps the end of life sheet of the equipment at disposal.** The end of life sheet provides instructions for safely removing components.

2.3. SAFETY WARNING THE TYING MACHINE

1. Never modify the connector in any way whatsoever.
2. Always switch off the battery when the machine is not in use (LED must be off).
3. Never use the tool if it is damaged, incorrectly set or incompletely assembled.
4. Never remove or disable a safety device. Have the safety device repaired if is faulty.
5. Do not disassemble the tying machine.
6. Please test the machine before use to check that it is working properly.

2.4. SAFETY MEASURES ASSOCIATED WITH BATTERY USE

1. If not using the battery unit, store it away from other metal objects such as paper clips, coins, keys, nails, screws or other such small metal items that might form a connection between the two terminals. Creating a short-circuit between the battery terminals can lead to burns or cause a fire.
2. Keep the battery out of the reach of children and place it on a non-combustible support.
3. Do not interfere with its cooling cycle.
4. Do not use or leave the battery near a heat source (> 60°C).
5. Do not leave the battery in direct, strong sunlight.
6. Do not expose the battery to microwaves or high pressure.
7. Do not immerse the battery in water.
8. The batteries must be charged in a dry, ventilated room at a temperature between 10°C and 25°C maximum, away from any moisture.
9. If the battery is not used for 10 days, the battery will automatically discharge until it reaches its storage charge rate, then goes to standby. It will heat up during this phase.
10. Over time, the capacity of your battery decreases. When it reaches half of its original battery-life operating autonomy, it should be replaced.
11. The battery may lose 1 to 4 % of its capacity when exposed to a temperature higher than or equal to 55 °C for one week.
12. The charging location must be equipped with a class D fire extinguisher (for metal fires) in good working order.
13. The standards in effect must be complied with when shipping a complete tool or a battery.
 - Complete tool with battery: product classified UN3481 class 9.
 - Battery alone: product that is classified as class 9, UN3480.
14. Use of a battery other than that provided by Pellenc SA is dangerous (risk of serious injury). If a different battery is used, Pellenc SA cannot be held responsible for any consequences.

15. The battery must be protected from any impact and must be positioned and secured appropriately during transportation.
16. In the case of suspicious smoke, place the battery outside the charging area or transportation vehicle as far away as possible from any inflammable material.
17. Never store a battery when its capacity is below 50 %. Recharge the battery before storage if the value is below 50%.
18. In inappropriate conditions, a liquid can flow batteries; avoid contact with it. In the event of accidental contact, rinse with water. In the event of contact with eyes, seek professional medical help. The liquid leaking from the batteries can cause irritations or burns.
19. Pellenc power tools must only be used with the battery units designed for the purpose. Use of other battery units can present a risk of injury and fire.
20. Recharge only with the charger specified by the manufacturer. A charger adapted to one type of battery unit may present a fire risk if used with a different battery unit.
21. Do not use the battery for any purpose other than that initially envisaged (exclusively for use with Pellenc tools).
22. At the end of its life, the battery must be returned to the authorized distributor from whom it was purchased to be recycled in accordance with waste regulations.
23. Fragile case, contains an electronic board and lithium.

2.5. SAFETY MEASURES WHEN USING THE "PELLENC" CHARGER

1. When in operation, the charger's temperature can reach 60°C. No flammable material must be within 1.5 metres of the charger and battery.
2. Place the charger out of the reach of children and on a non-combustible support.
3. Do not interfere with its cooling cycle.
4. The charger is intended only for recharging the battery. Do not charge non-rechargeable batteries.
5. The charging location must be equipped with a class D fire extinguisher (for metal fires) in good working order.
6. If the output cord is cut or damaged, bring the entire charger back to the authorised distributor where the tool was purchased.
7. Only recharge using the "PELLENC" charger indicated by the manufacturer. A charger adapted to one type of battery unit may present a fire risk if used with a different battery unit.
8. This charger is designed to charge Pellenc tool lithium batteries.
9. Do not use it for any other purposes.
10. Children must be supervised to ensure they do not play with the charger.
11. Check that the cable cannot be bent and that it does not touch hot surfaces or sharp edges.
12. Ensure good ventilation during the charging.
13. Never cover the charger. This charger must not be used outdoors.
14. Make sure the power connector is not exposed to water.
15. Never attempt to charge a damaged battery.
16. The grid connection must comply with national electrical regulations.
17. Check the wiring of the charger before use. Never use the charger if the wiring is damaged.
18. When the battery is charging, place the charger on a non-flammable support, more than 1.5 m away from any flammable object.

2.6. SAFETY SIGNAGE

California State Proposition 65:

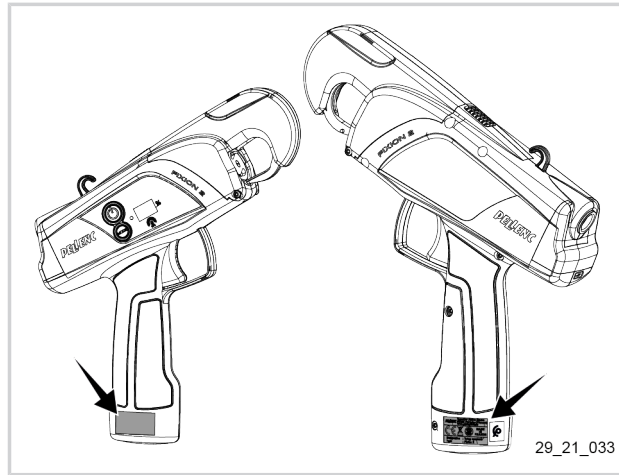


Caution

This product contains or emits a chemical recognized by the State of California to cause cancer, birth defects or other reproductive harm.



The RBRC™ sticker (found on the packaging) indicates that PELLENC voluntarily participates in an industry program for the collection and recycling of used batteries in the United States and Canada.



Tool compliant with Moroccan standards.



Lithium-ion battery.

At the end of its life, the battery must be returned to the authorized distributor from whom it was purchased to be recycled in accordance with waste regulations.



Tool compliant with EC standards.



Do not expose to rain.

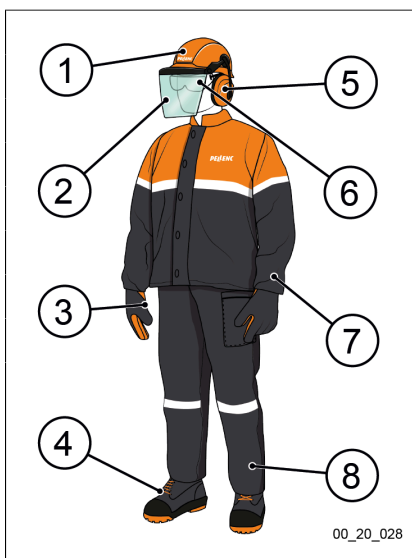


Tool compliant with British standards



Please read the operating instructions.

2.7. PERSONAL PROTECTION EQUIPMENT

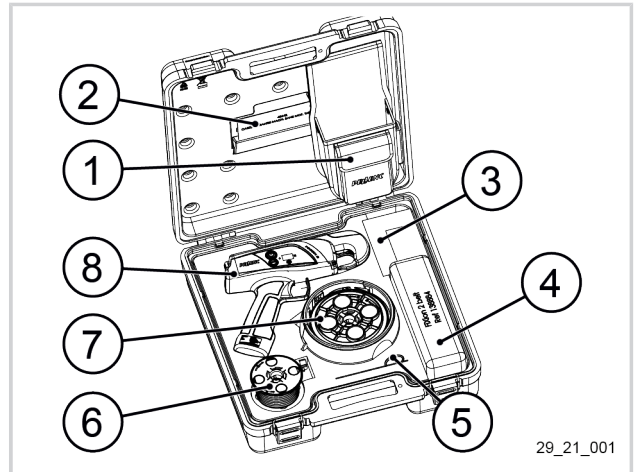
	Equipment	Wearing of
	1 Safety helmet	--
	2 Protective visor	--
	3 Protective gloves	Recommended
	4 Safety footwear	Recommended
	5 Ear protection	--
	6 Protective goggles	Recommended
	7 Jacket or over-sleeves	--
	8 Work trousers	--

3. DESCRIPTION AND TECHNICAL CHARACTERISTICS

3.1. DESCRIPTION OF THE TOOL

Complete carry-case

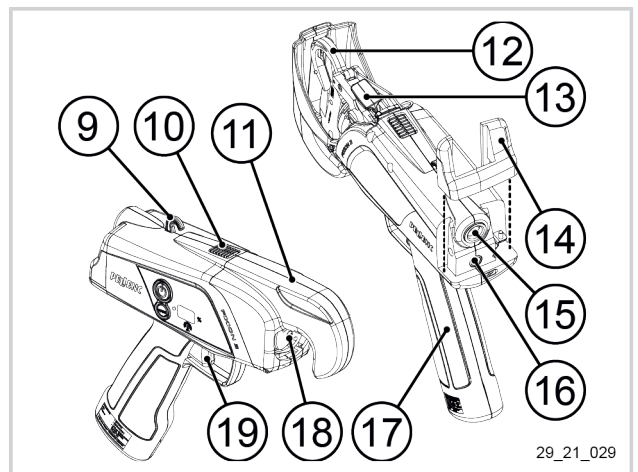
1. Holster
2. User guide and warranty card
3. Charger unit with adapters
4. Belt
5. Disgorging scissors
6. Small tie band spool with dispenser adaptable for use with the tool
7. Large tie band spool with lateral dispenser
8. Fixion 2 tying machine



29_21_001

Fixion 2 tying machine

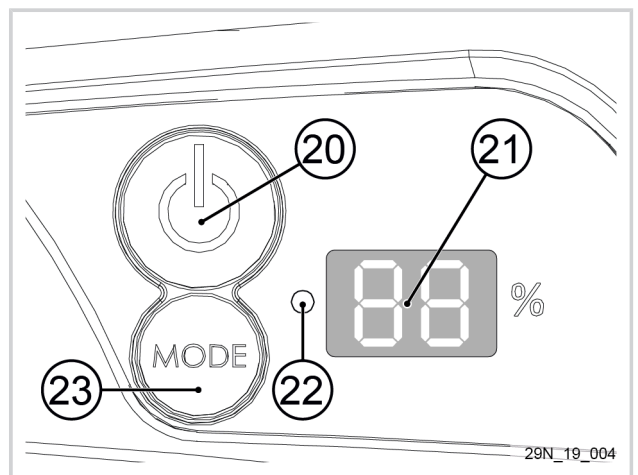
9. Hanging hook
10. Lock button for detachable dispenser
11. Swivel dispenser
12. Attachment hook
13. Upper guide
14. Guard
15. Inlet for ties
16. Charging connector
17. Handle with built-in battery (lithium-ion battery)
18. Twister
19. Operating trigger



29_21_029

Fixion 2 display

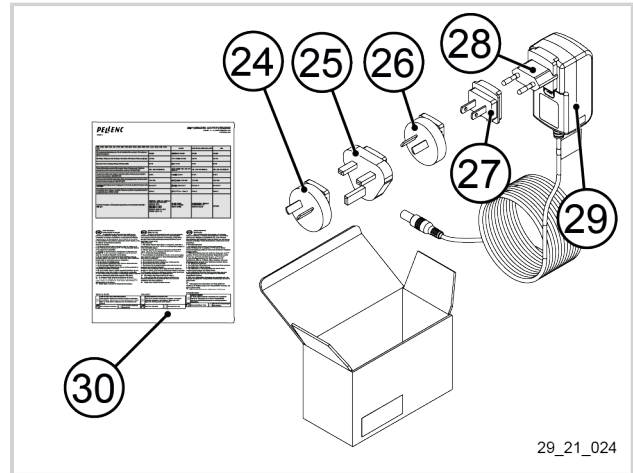
20. Tool on/off button
21. Gauge display
22. Power on LED for tool.
23. "MODE" button (1 to 4 twist selector)



29N_19_004

Fixion 2 charger

- 24. Plug adaptor Australia
- 25. Plug adaptor UK
- 26. Plug adaptor Argentina
- 27. Plug adaptor USA-Japan
- 28. Plug adaptor Europe
- 29. Li-Ion battery charger
- 30. Charger manual



3.2. TECHNICAL FEATURES

Max tying capacity	25 mm
Nominal voltage for the tying machine	10.9 V DC
Charger supply voltage	12.6V DC 500mA output
Li-Ion battery capacity	38 Wh 3.4 Ah
Charging time	8 hours
Tying machine operating capacity before recharging	up to 15,000 ties
Large tie band spool tie length (carried by the user)	about 200 m/tie band spool
Corresponding no. of ties on large reel	around 1500 ties
Small tie band spool tie length (carried on the tool)	about 60 m/tie band spool
Corresponding no. of ties on small reel	Around 450 ties
Weight of tying machine alone	800 g
Weight of tying machine with adaptable dispenser and small reel	990 g
Weight of complete carrying set (tying machine, belt, holster, dispenser and tie band spool)	1050 g

Total vibration values (triaxial vector sum) determined in accordance with the EN 62841-1 standard (uncertainty of $K=1.5 \text{ m/s}^2$)	$a_h < 2.5 \text{ m/s}^2$
--	---------------------------

Noise value measured according to Standard EN 62841-1	
Acoustic power level measured (uncertainty of $K=3 \text{ dB}$)	$L_{WA} = 80 \text{ dB}$
Level of acoustic pressure measured at the work station (uncertainty of $K=3 \text{ dB}$)	$L_{pA} = 69 \text{ dB}$

4. COMMISSIONING

4.1. FITTING THE HOLSTER TO THE BELT

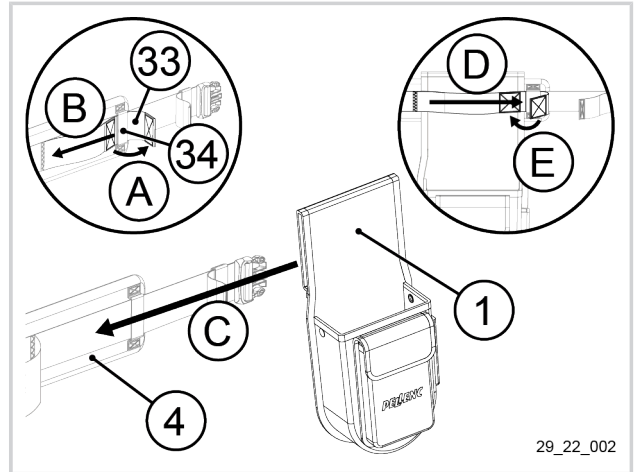
1. Detach the hook and loop strap (33).
2. Pull the hook and loop strap (33) out of the belt loop (34).
3. Install the holster (1) on the belt (4).

Note

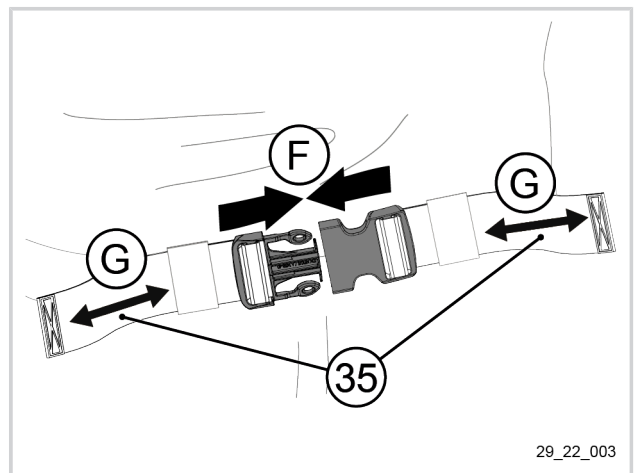
When fitting the holster on the right, ensure that the hook and loop strap is on your right.

When fitting the holster on the left, ensure that the hook and loop strap is on your left.

4. Position the hook and loop strap (33) on the holster (1).
5. Slide the end of the hook and loop strap (33) into the belt loop (34).
6. Pull and fasten the hook and loop strap (33).
7. Position the belt at waist level and adjust the tightness with the tabs (35).



29_22_002



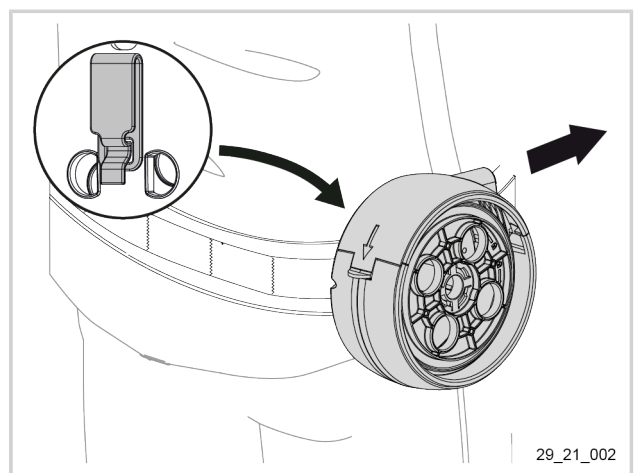
29_22_003

4.2. FITTING THE LATERAL DISPENSER EQUIPPED WITH THE LARGE TIE BAND SPOOL ONTO THE BELT.

1. Clip the dispenser fitted with the large tie band spool onto the belt.

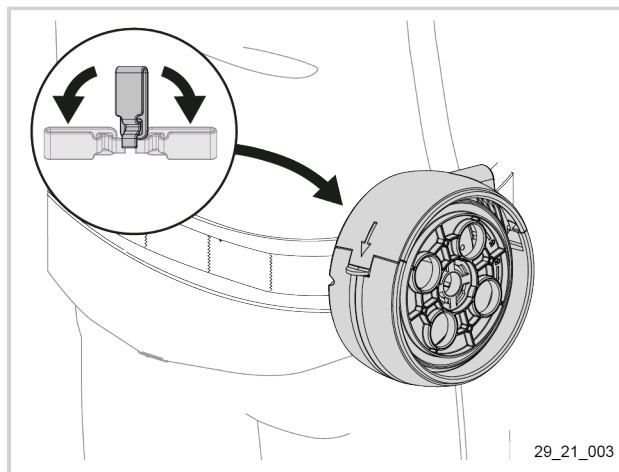
Note

The reel cover is placed on the user's right side by default. This is so that the dispenser clips are on the right of the belt, with the ties outlet towards the front.

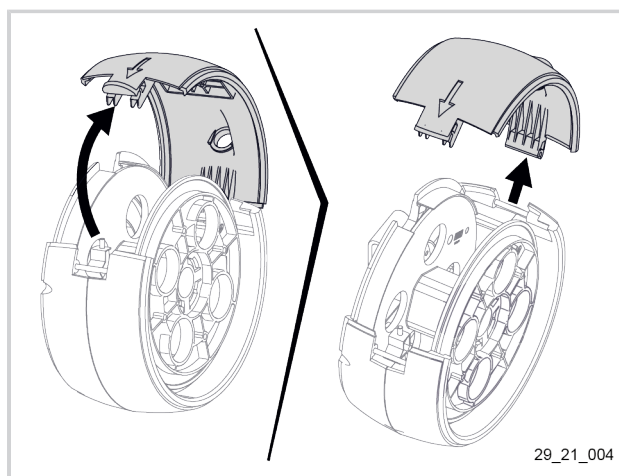


29_21_002

- The reel clips pivot horizontally and vertically as required.



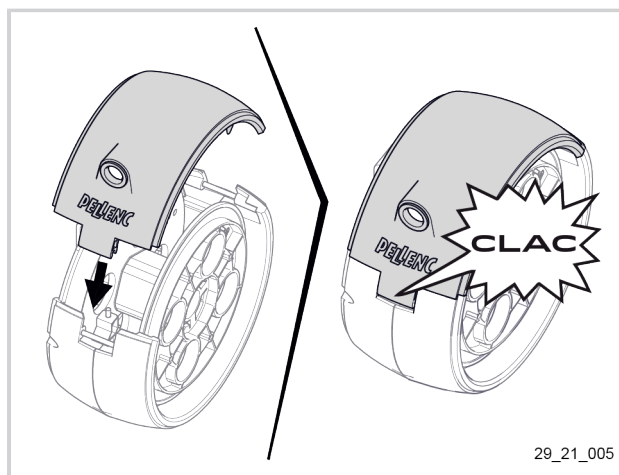
- To switch the cover over to the left-handed version: Open the reel cover and unclip it.



- Reverse the cover and clip it onto the reel.
- Close the cover.

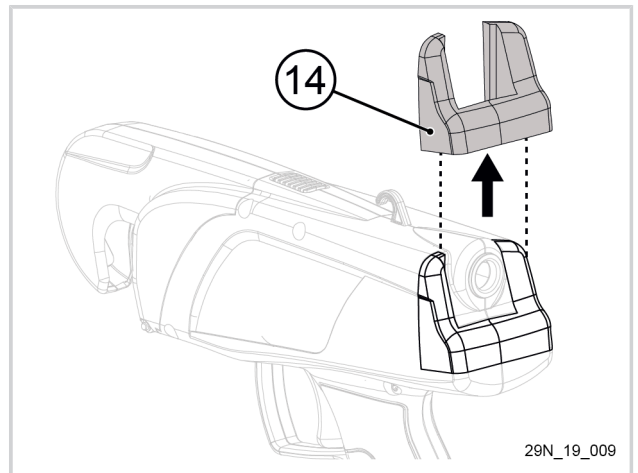
Note

In this configuration, the dispenser clips are on the left of the belt, with the ties outlet towards the front.

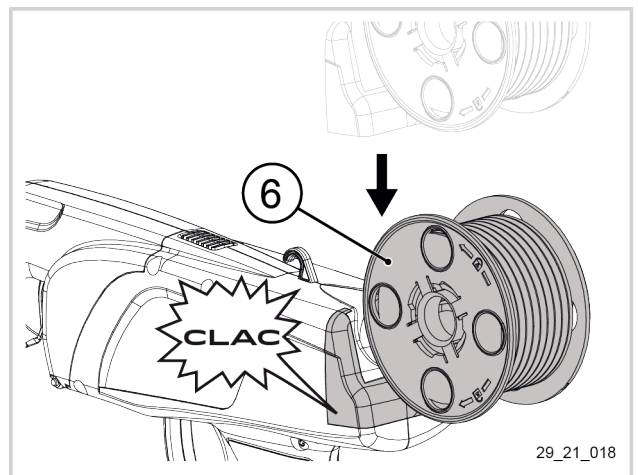


4.3. FITTING THE ADAPTABLE DISPENSER LOADED WITH THE SMALL TIE BAND SPOOL ONTO THE TYING MACHINE.

1. Remove the guard (14) on the back of the tying machine.
2. Place the guard (14) into the slot reserved inside the carrycase.



3. Fit the small tie band spool in place with the adaptable dispenser (6) instead of the guard (14).

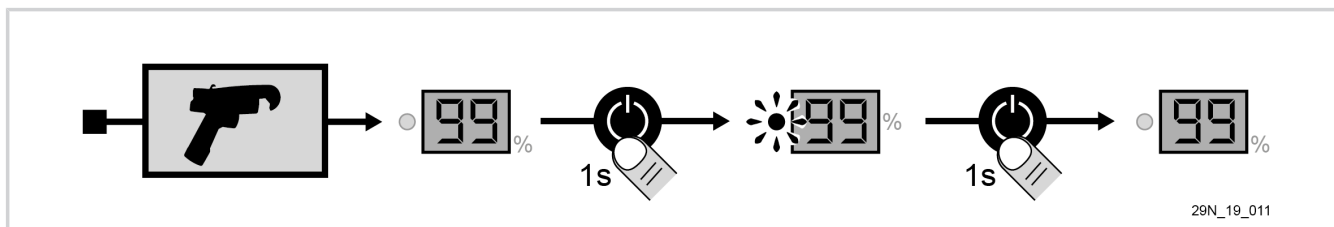
**Note**

The mounting is identical for the 200 metre tie band spool.

5. USE

5.1. TYING MACHINE ON/OFF

The tying machine is started and stopped with the start/stop button (20).



5.2. ADJUSTING THE TIGHTNESS OF THE TIE

You can adjust the tightness of the tie to suit the type of wood you have to tie in place, by using the MODE button (23).

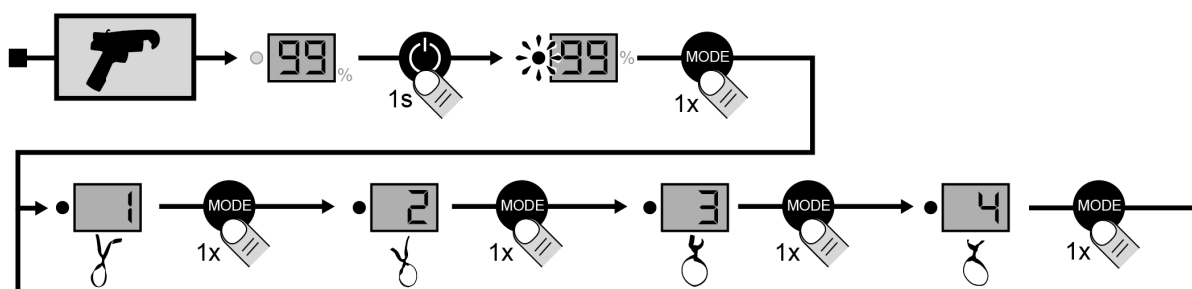
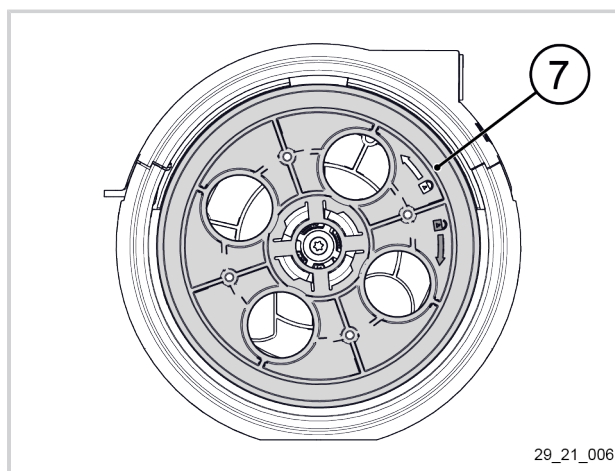


Table of equivalences

"MODE" button	1	2	3	4
Number of twists	2 to 2.5	4 to 4.5	6 to 6.5	7.5 to 8

5.3. RELOAD WITH THE LARGE TIE BAND SPOOL

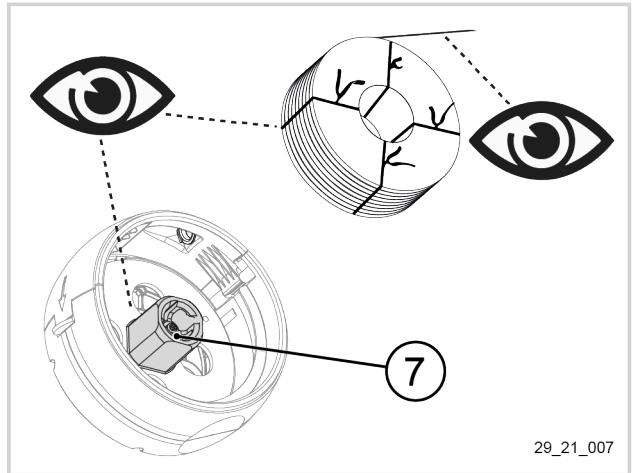
1. Block the rear flange and turn the front flange clockwise to unlock it.
2. Remove the front flange from the lateral dispenser (7).



3. Fit the tie band spool in place: Match up the 4 straps with the 4 flats on the hub of the lateral dispenser (7) and make sure the tie end exits in the right direction.

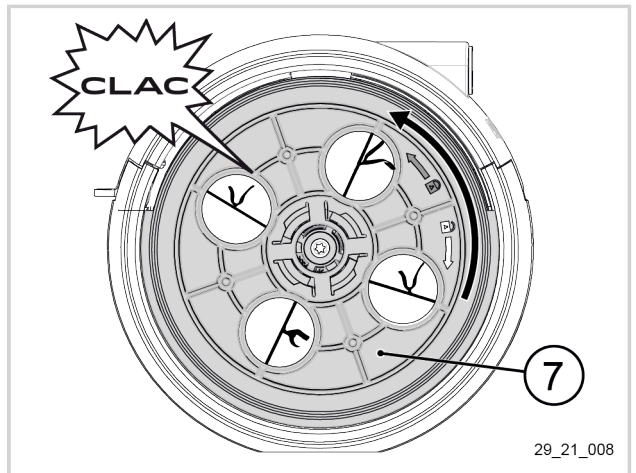
Note

The tie band spool must unwind clockwise through the outlet opening of the lateral dispenser (7) (right-handed user). The tie band spool must run counter-clockwise through the outlet hole of the lateral dispenser (7) (left-handed user).



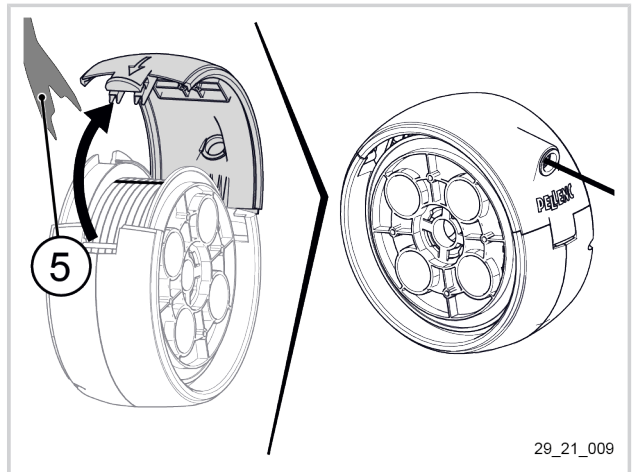
29_21_007

4. Replace the front flange on the hub of the lateral dispenser (7).
5. Block the rear flange and turn the front flange anti-clockwise to lock it.



29_21_008

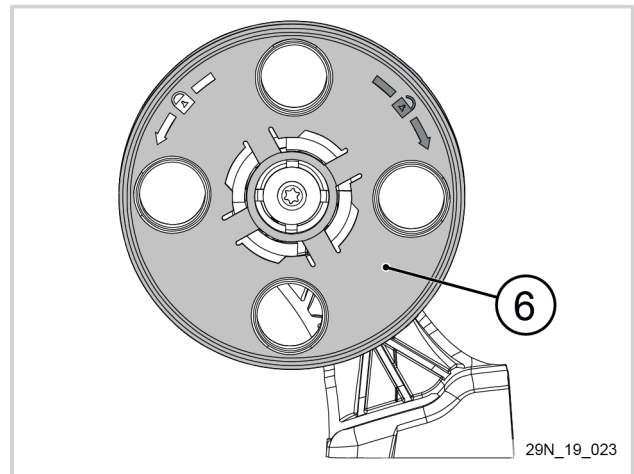
6. Open the cover of the dispenser and pass the tie through the opening.
7. Cut and remove the 4 straps with the disgorging scissors (5).
8. Close the cover and unwind the tie to the desired length.



29_21_009

5.4. RELOAD THE SMALL TIE BAND SPOOL

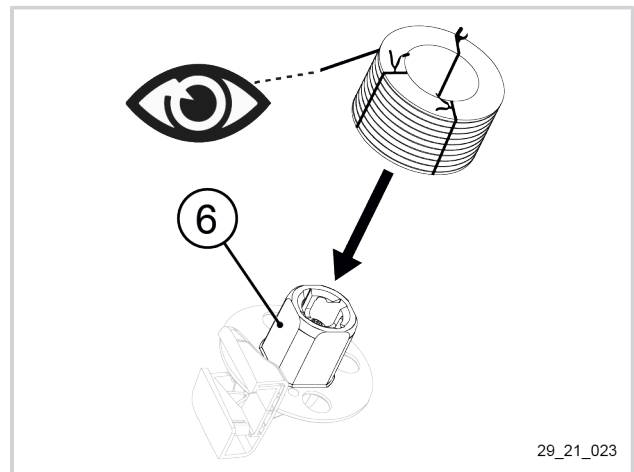
1. Block the rear flange and turn the front flange clockwise to unlock it.
2. Remove the front flange from the adaptable dispenser (6).



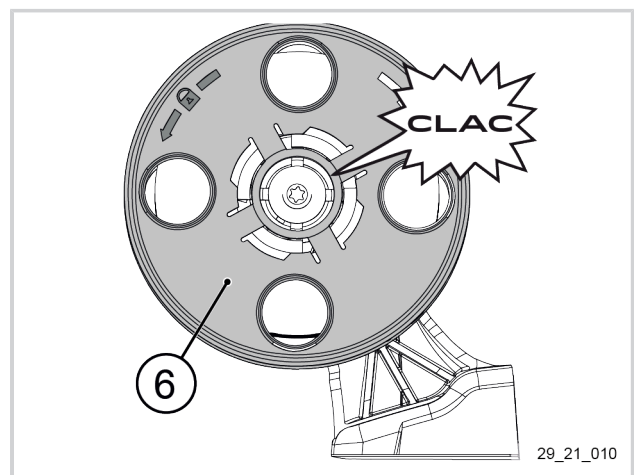
3. Place the tie band spool on the hub of the adaptable dispenser (6).
4. Ensure the correct direction of exit of the ties end.

Note

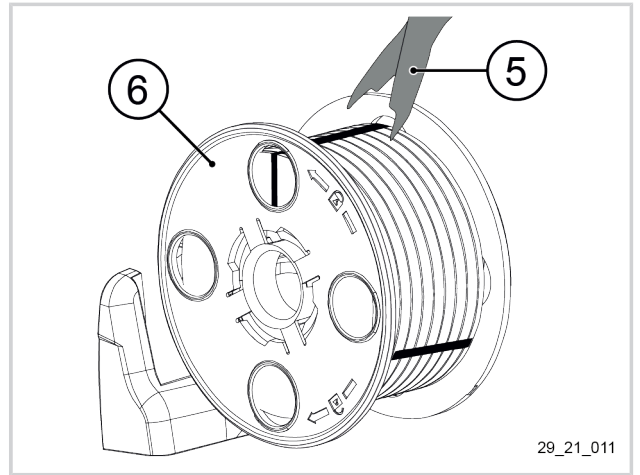
The tie band spool must unwind clockwise.



5. Replace the front flange on the hub of the adaptable dispenser (6).
6. Block the rear flange and turn the front flange anti-clockwise to lock it.



- Cut and remove the 3 straps with the disgorging scissors (5).



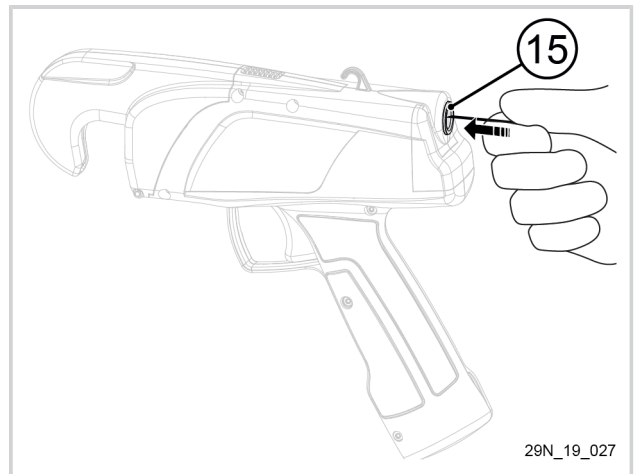
5.5. INSERT THE TIES INTO THE TYING MACHINE

Large tie band spool:

- Insert the tie cord, flat, into the opening (15) of the tying machine until the tie cord reaches the end stop.

Note

The tie band spool must unwind clockwise through the outlet opening of the lateral dispenser (7).

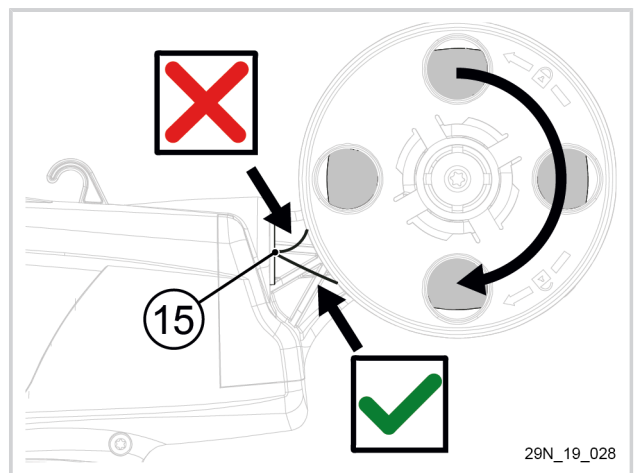


Small tie band spool:

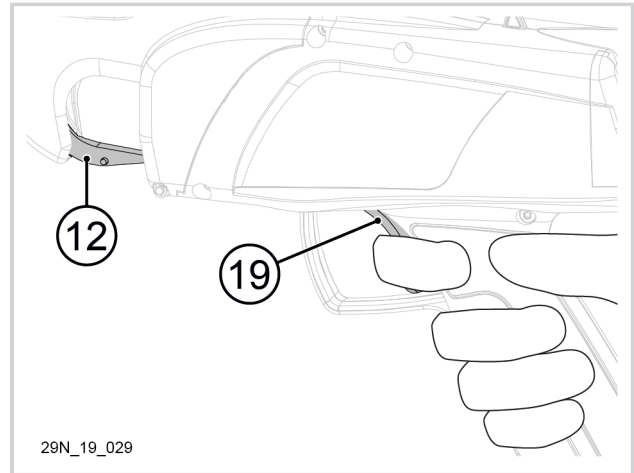
- Insert the tie cord, flat, into the opening (15) of the tying machine until the tie cord reaches the end stop.
- Make sure the tie cord is inserted from below and not from above.

Note

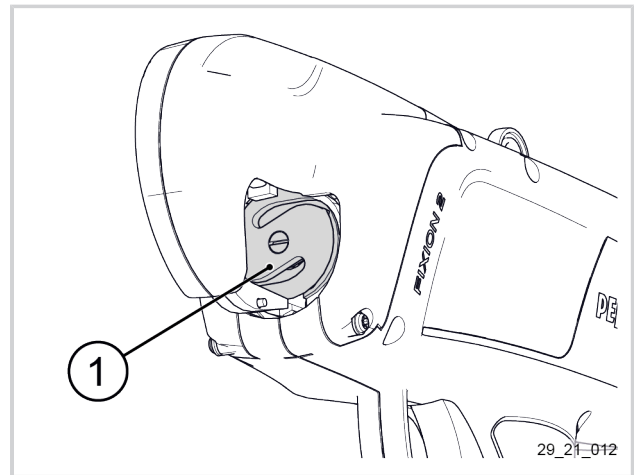
The tie band spool must unwind clockwise.



3. Start the tying machine (see Section 5.1, "Tying machine on/off").
4. Press the trigger (19) (a single press) to push the tie through to the hook (12).



5. Check that no scrap of tie cord remains trapped in the twister (18), do a practice tie test it, and remove this tie afterwards.



5.6. GRIP

It takes a few hours handling to become familiar with the tying machine. The tying process is not automatic. To ensure your tool is working properly, and you are comfortable with it, always comply with the following conditions:

- When you use the large tie band spool, keep the assemblies properly aligned: dispenser / ties / tying machine.
- When you use the small tie band spool, check that the tie cord has been properly inserted into the intake opening of the tying machine.

Important

The tie cord must not be caught up at the tying machine intake.

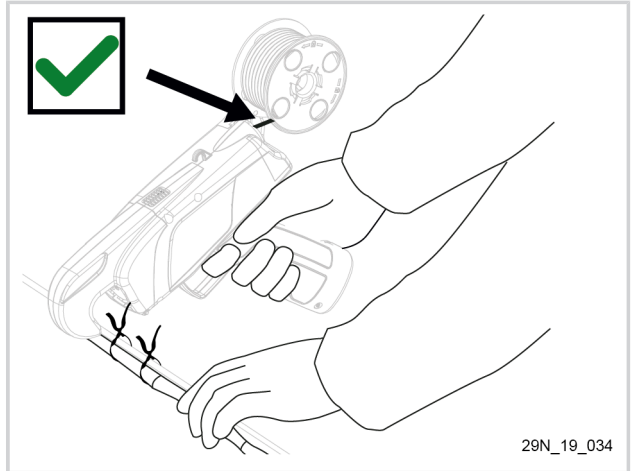


Warning

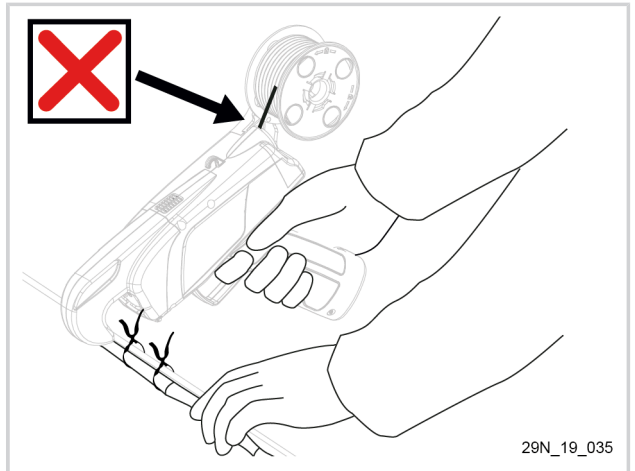
Avoid any malfunction by making sure the tie cord is not bent at the tying machine intake opening.

The tying machine must be used at a temperature of between -5° and $+35^{\circ}\text{C}$.

Correct position of the ties when using the small tie band spool.



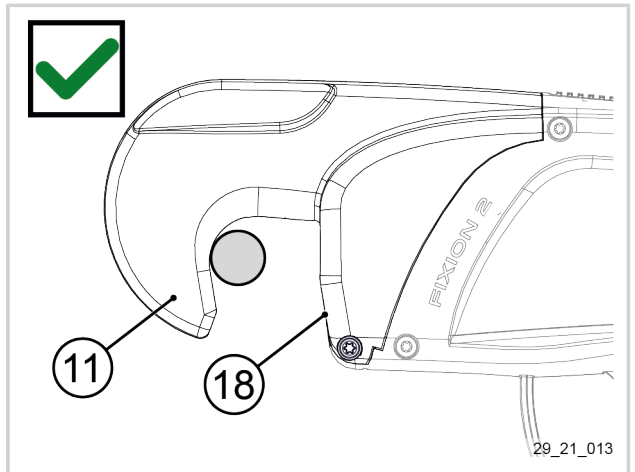
Incorrect position of the ties when using the small tie band spool.



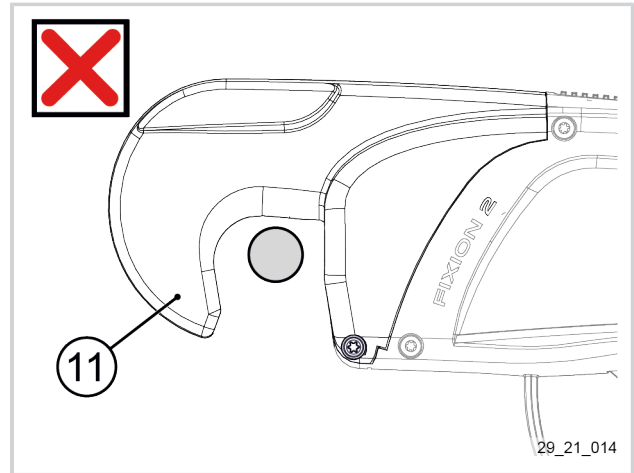
Correct position of wood in the tying machine.

Note

The wood must be positioned against the swivel dispenser (11) so the twister (18) can attach the tie correctly on the metal wire.



Incorrect position of wood in the tying machine.



5.7. END OF THE TIE BAND SPOOL

Check the remaining level of ties on the tie band spool. When the marker for the end of the tie cord appears (there are no more ties in the tie band spool-holder) and there is only around ten centimetres of ties visible at the back of the tying machine, stop tying.

Important

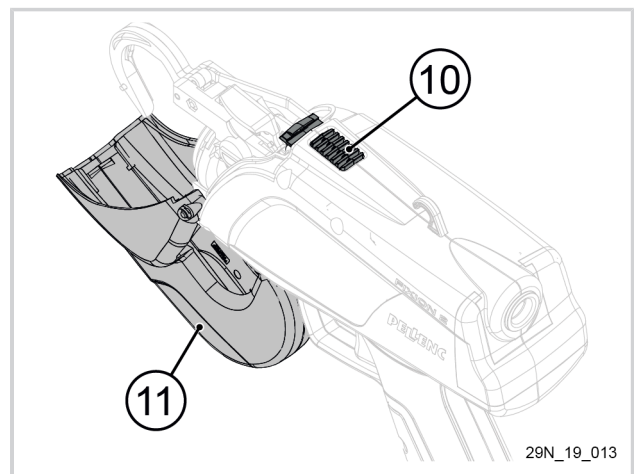
These operations must be done each time the tie band spool is emptied.



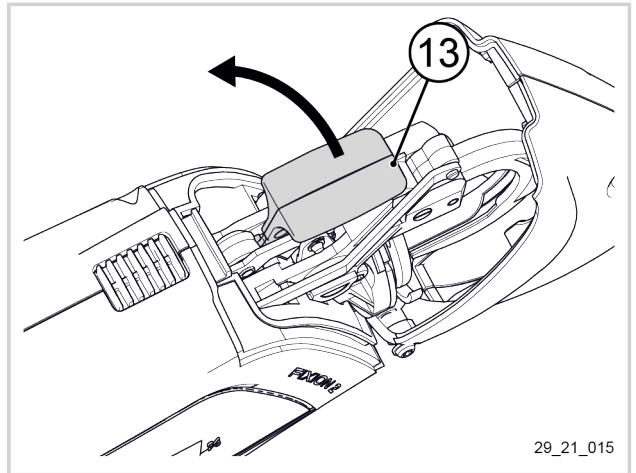
Warning

To avoid damage to the tool, it is best not to operate it without tie cord loaded.

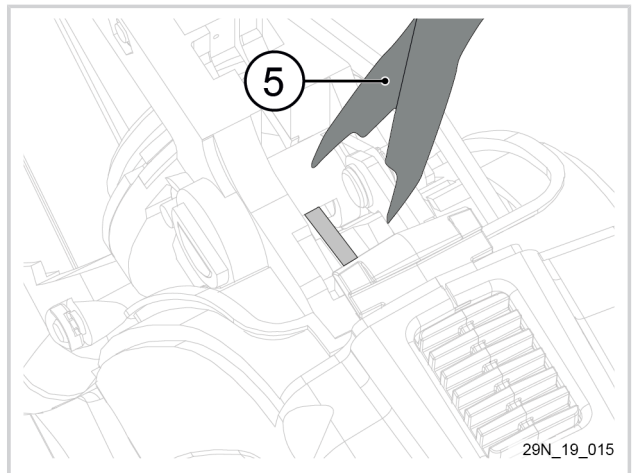
1. Turn off the tying machine (start/stop button (20), see Section 5.1, "Tying machine on/off").
2. Open the swivel dispenser (11) with the lock/unlock button (10).



3. Manually remove the upper guide by hand (13).



4. Extract the remaining tie cord with the disgorging scissors (5).

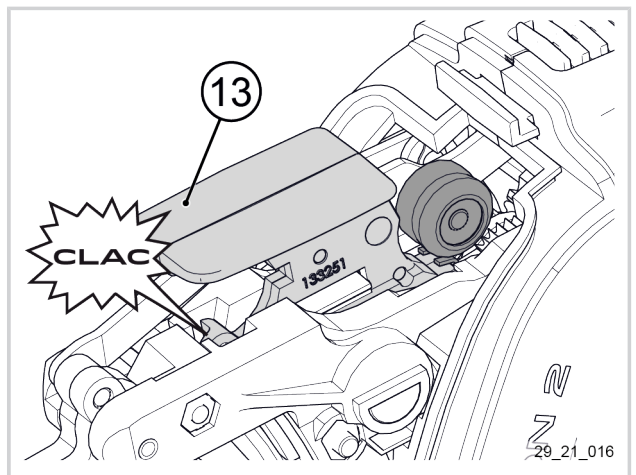


5. Insert the upper guide (13) to the end stop, under the support roller.
6. Clip the upper guide (13) into position.

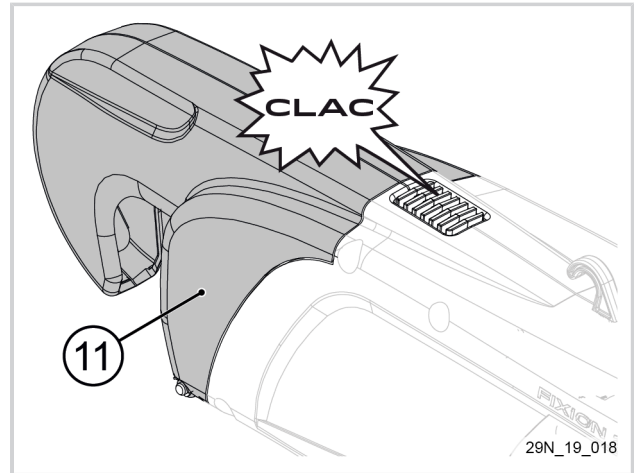
Important

The top guide (13) should be slid all the way back and then clipped to the front of the tool.

You should hear a "click".



7. Close the swivel dispenser (11).



5.8. CHARGING THE TOOL

5.8.1. INSTRUCTIONS BEFORE CHARGING BUILT-IN BATTERY

Only the battery supplied with the charger must be used. Failing to comply with this instruction leads to premature deterioration of the battery, and increases the risk of physical injury.

Pellenc S.A. declines all responsibility if the charger is used for an application other than that specified.

Important

Before using the battery for the first time at the start of a new season, it must be fully charged (99% steady).

5.8.2. THE DISPLAY SHOWING REMAINING BUILT-IN BATTERY CAPACITY

The battery is equipped with a gauge display (21) which allows you to see the remaining battery capacity. The capacity is expressed as a percentage.

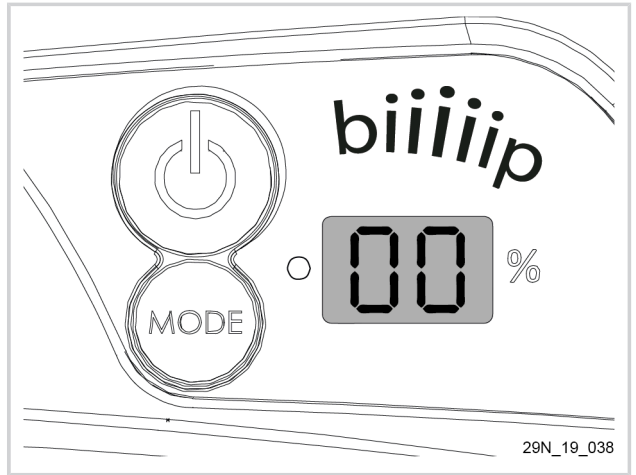
- If the display (21) shows **99**, the battery is fully charged.
- If after a day's work, the display (21) shows more than **55** there is no need to recharge the battery.
- If the display (21) shows **00**, or very close to it, it must be recharged at once.
- The battery gauge (21) must be used like a fuel gauge on a car.

5.8.3. CHARGING THE BUILT-IN BATTERY

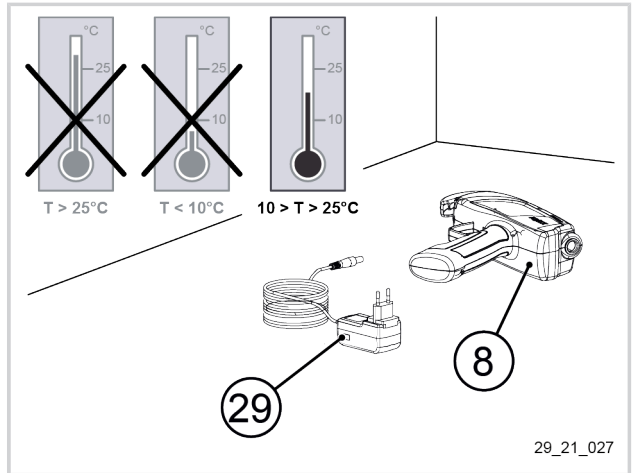
Important

Ⓒ The tool battery must be charged only using the tns30w-126050 charger supplied in the case.

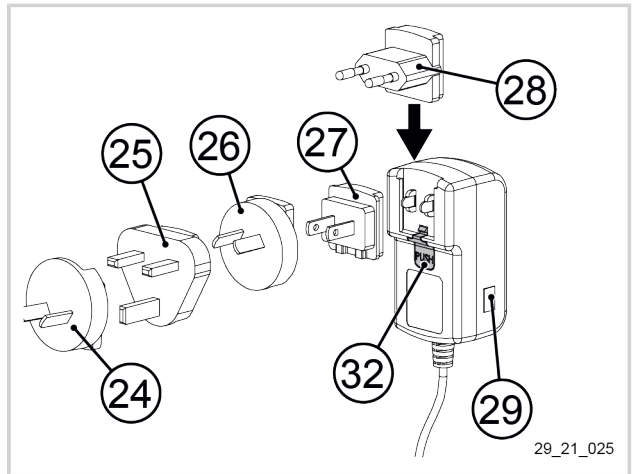
1. When the battery is discharged, the tool stops automatically. The gauge display goes off and the buzzer beeps once (see Section 7.1, "Summary of charge indicator and beep messages").



2. Keep the charger (29) and tying machine (8) in a dry, ventilated and dust-free room at 10#25°C.



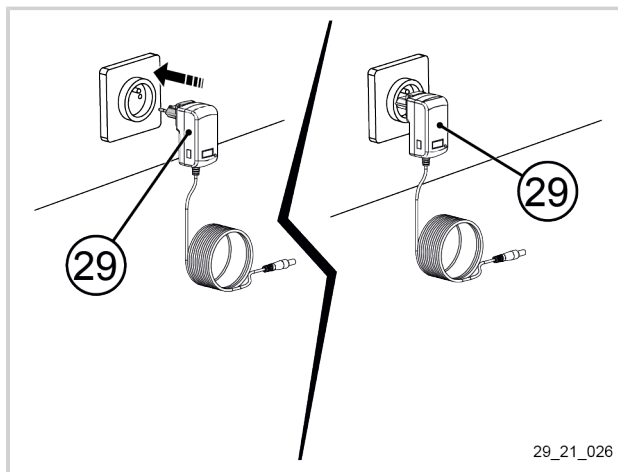
3. Fit the correct plug adapter (24), (25), (26), (27) or (28) to the charger (29) depending on your country.
4. To remove a plug adapter, press the "PUSH" button (32).



5. Connect the charger plug (29) to the mains. The charger LED lights up green.

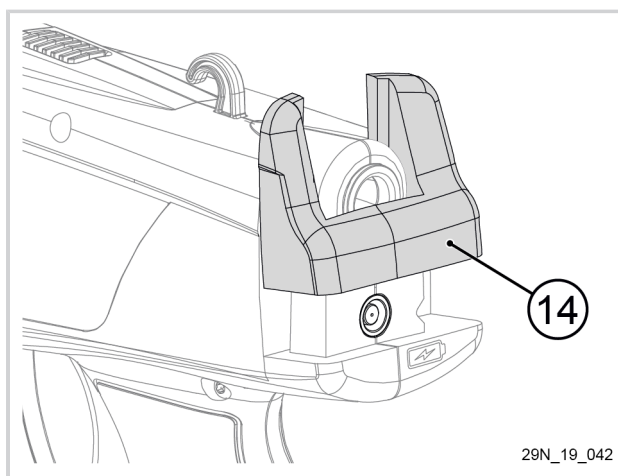
Caution

ⓘ Before connecting the charger to the mains, check that your power system characteristics comply with the specifications given on the charger (see Section 3.2, "Technical features").



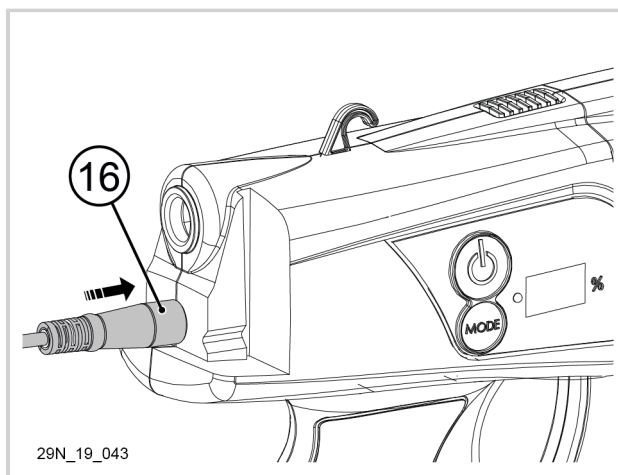
29_21_026

6. Partly detach the guard (14) (or the adaptable dispenser (6)). If the adaptable dispenser (6) is fitted, make sure the tie cord has been withdrawn from the tool intake opening.



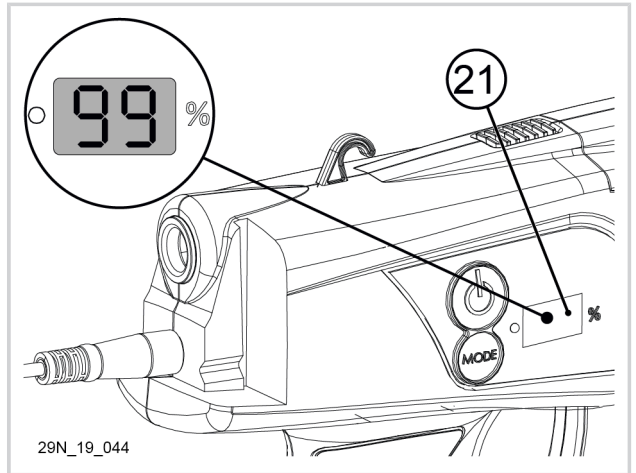
29N_19_042

7. Connect the charging cord to the tying machine's charging connector (16). The charger LED turns red.



29N_19_043

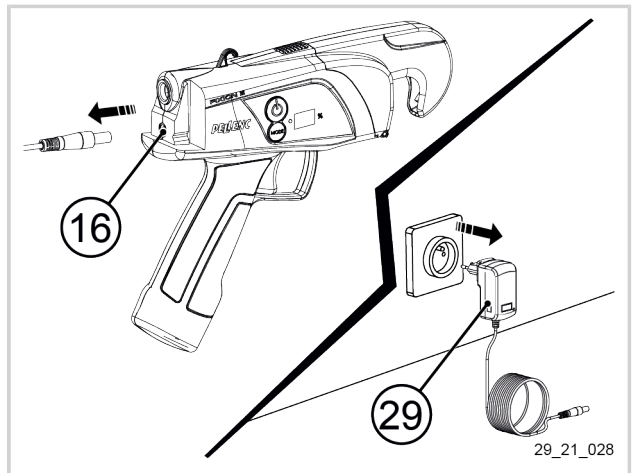
8. When the gauge display (21) flashes, the battery is charging. Charging is complete when the message **99** appears steadily on the gauge display (21).



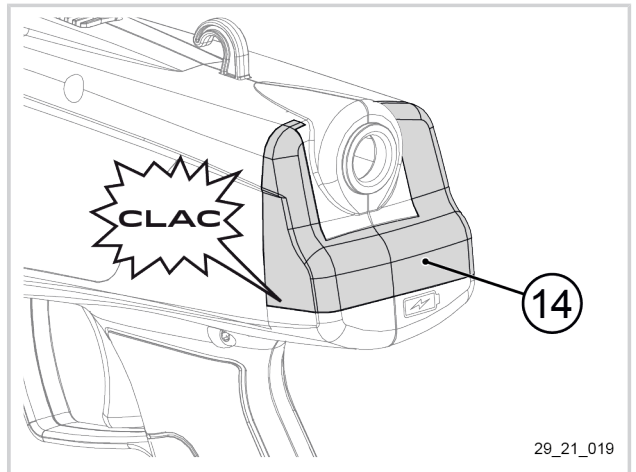
9. Once the battery is charged, first disconnect the charging cable from the charging connector (16) and then the mains plug from the charger (29).

Note

After a long storage period (new battery, winter storage etc.), when you disconnect the charger, the charge level indicator may display a value of less than 99%. This is a normal phenomenon which can reoccur for up to 5 charge cycles with normal use between each charge.



10. Replace the guard (14) on the back of the tying machine (or the adaptable dispenser (6)).



6. MAINTENANCE

6.1. MAINTENANCE TABLE

Maintenance task	At each start-up	After each use	Every year or every 300,000 ties
Cleaning the tool, see Section 6.3, "Nettoyage"		X	
Visual inspection of the tool	X	X	
Check the support roller and replace if necessary, see Section 6.5, "Replacing the support roller".	X		
Check the twister and replace if necessary, see Section 6.6, "Replacing the twister".	X		
Check the upper guide and replace if necessary, see Section 6.4, "Replacement of the upper guide"	X		
Check the ties with the tool	X		
Have the tool checked by an authorised PELLENC dealer.			X

Important

Have the tool serviced every 300,000 attachments or at least once a year by an authorised dealer PELLENC to ensure that necessary servicing is carried out sufficiently to ensure the longevity of your tool. Always store the tool clean and in a dry place, with the battery charged.

6.2. SPARE PARTS

Spare parts	reference
Support roller	17828
Upper guide	155881
Twister	17849

6.3. NETTOYAGE

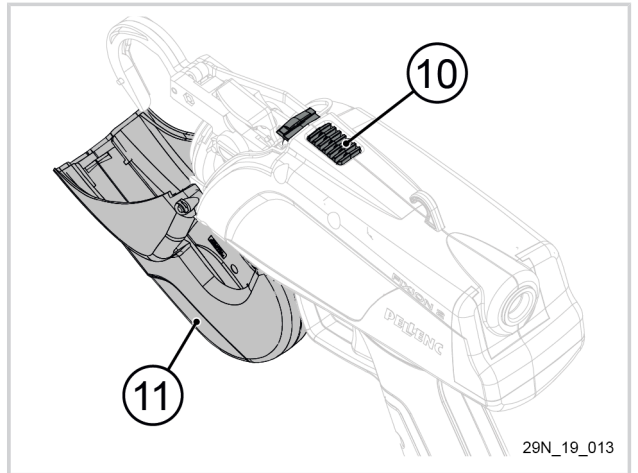
Important

Do not oil the central part where the ties pass through, as this could cause a malfunction.

Important

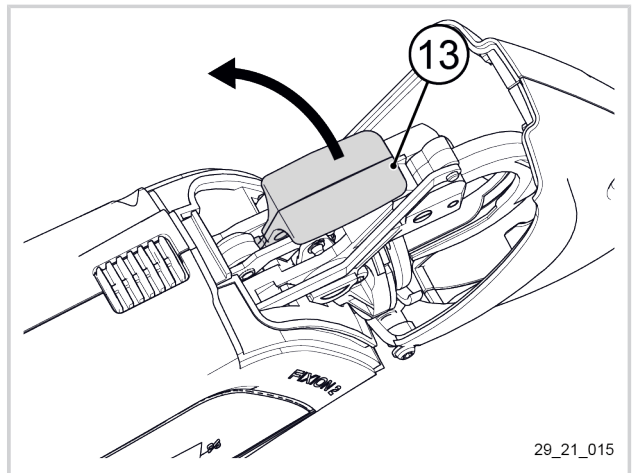
Do not use products such as trichloroethylene, white spirit, petrol etc.

1. Turn on the tying machine (on/off button (20), see Section 5.1, "Tying machine on/off").
2. Open the swivel dispenser (11) with the lock/unlock button (10).



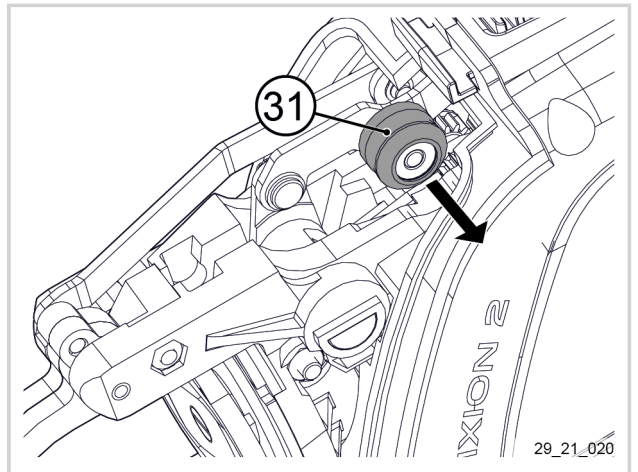
29N_19_013

3. Manually remove the upper guide by hand (13).



29_21_015

4. Press and hold the trigger for 4 seconds to raise the support roller (31).
5. Turn off the tying machine (start/stop button (20), see Section 5.1, "Tying machine on/off").
6. Use a flathead screwdriver to remove the support roller (31) and replace it if necessary.



29_21_020

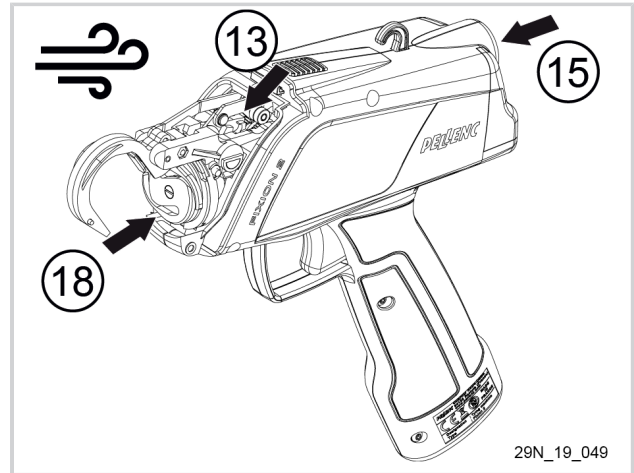
Important

Remove the support roller (31) carefully to avoid damaging the bearing.

7. Using an air compressor, blow:
 - a. In front of the twister (18)
 - b. Interior of the tie cord inlet (15)
 - c. At the upper guide (13), towards the front.
8. Refit the support roller (31).

Important

Place the flat side of the support roller (31) against the connecting rod.



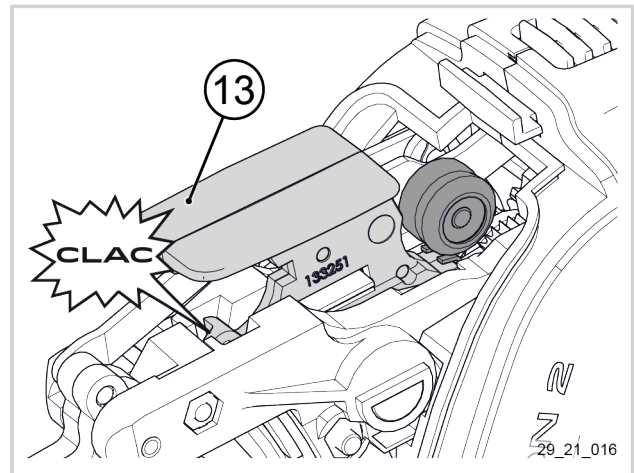
29N_19_049

9. Turn on the tying machine (on/off button (20), see Section 5.1, "Tying machine on/off").
10. Press the trigger to return the support roller to its original position.
11. Turn off the tying machine (start/stop button (20), see Section 5.1, "Tying machine on/off").
12. Insert the upper guide (13) to the end stop, under the support roller.
13. Clip the upper guide (13) into position.

Important

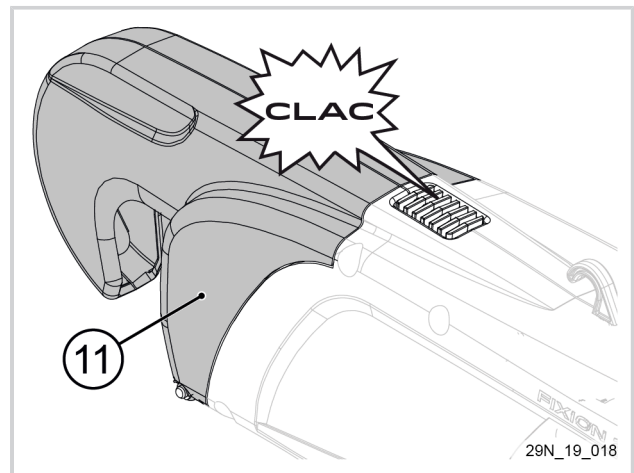
The top guide (13) should be slid all the way back and then clipped to the front of the tool.

You should hear a "click".



29_21_016

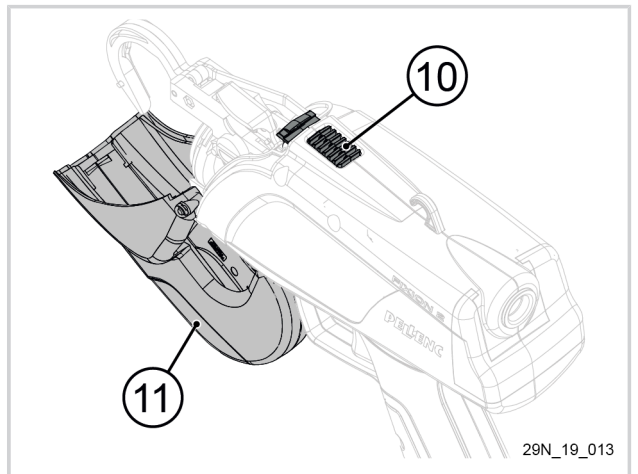
14. Close the swivel dispenser (11).



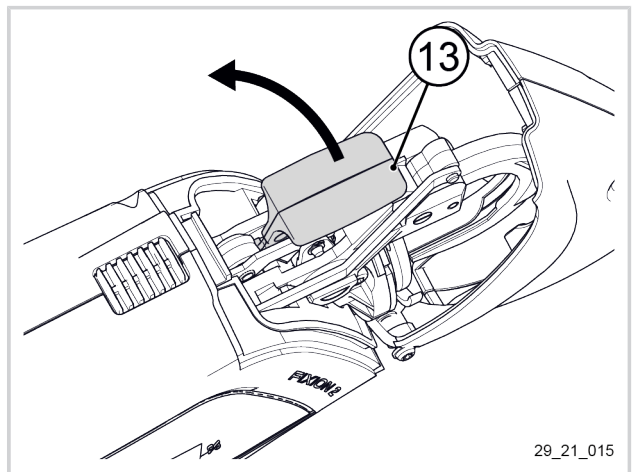
29N_19_018

6.4. REPLACEMENT OF THE UPPER GUIDE

1. Open the swivel dispenser (11) with the lock/unlock button (10).



2. Manually remove and discard the upper guide (13).

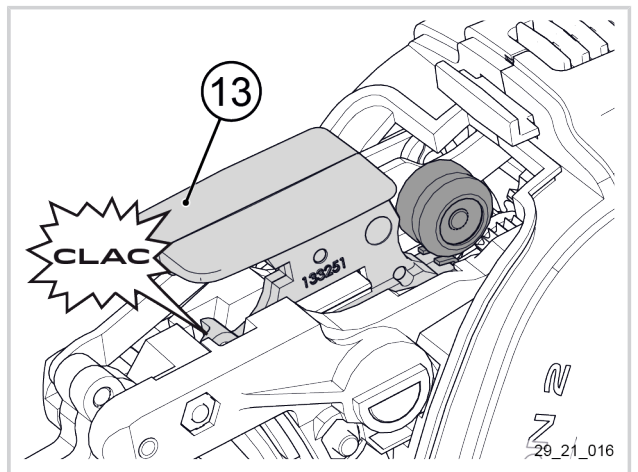


3. Insert the new upper guide (13) to the stop under the support roller.
4. Clip the new upper guide (13) into its position.

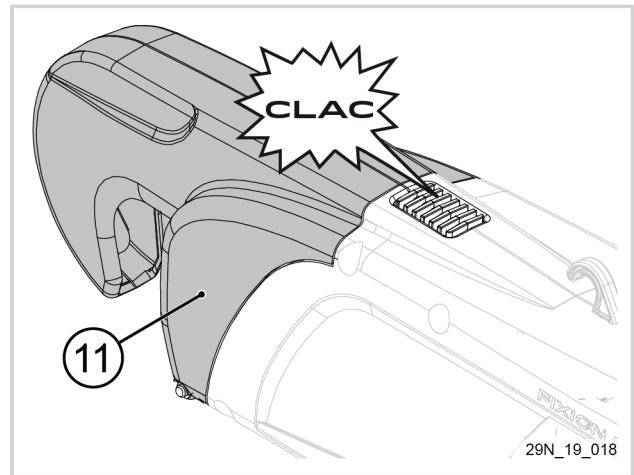
Important

The top guide (13) should be slid all the way back and then clipped to the front of the tool.

You should hear a "click".

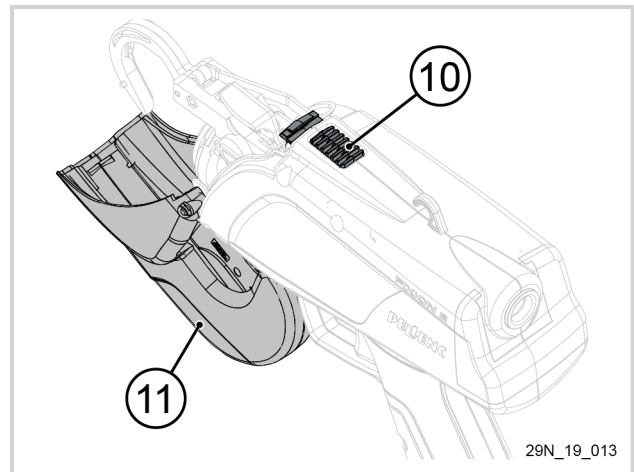


5. Close the swivel dispenser (11).

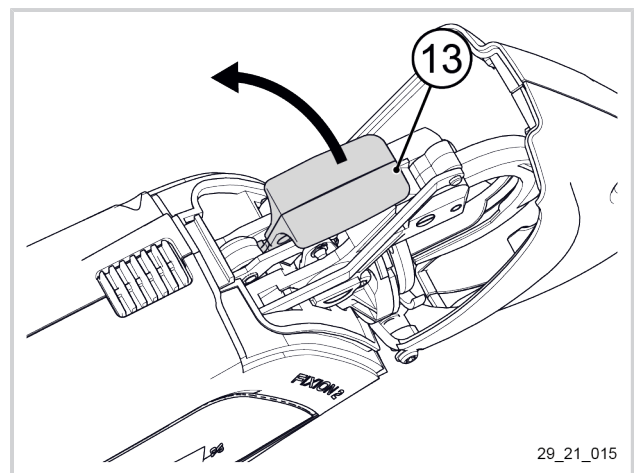


6.5. REPLACING THE SUPPORT ROLLER

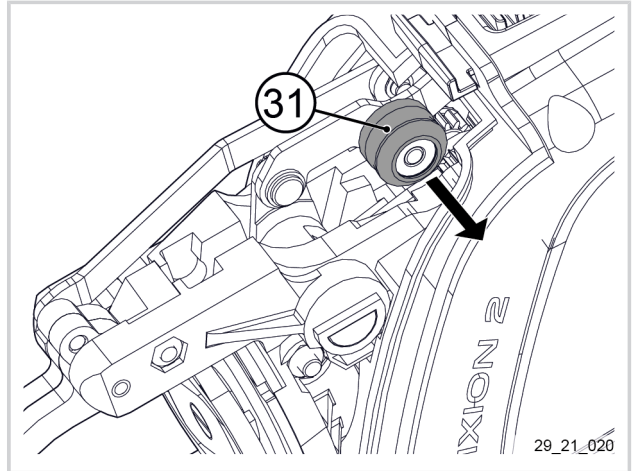
1. Turn on the tying machine (on/off button (20), see Section 5.1, "Tying machine on/off").
2. Open the swivel dispenser (11) with the lock/unlock button (10).



3. Manually remove the upper guide by hand (13).



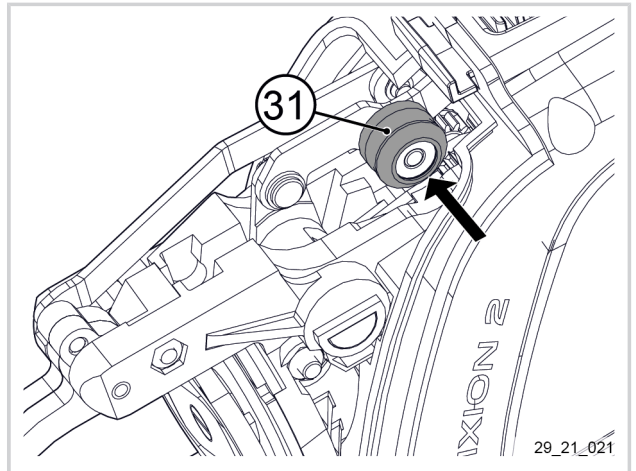
4. Press and hold the trigger for 4 seconds to raise the support roller (31).
5. Turn off the tying machine (start/stop button (20), see Section 5.1, "Tying machine on/off").
6. Using a flathead screwdriver, remove and discard the support roller (31).



7. Fit the new support roller (31).

Important

Place the flat side of the support roller (31) against the connecting rod.

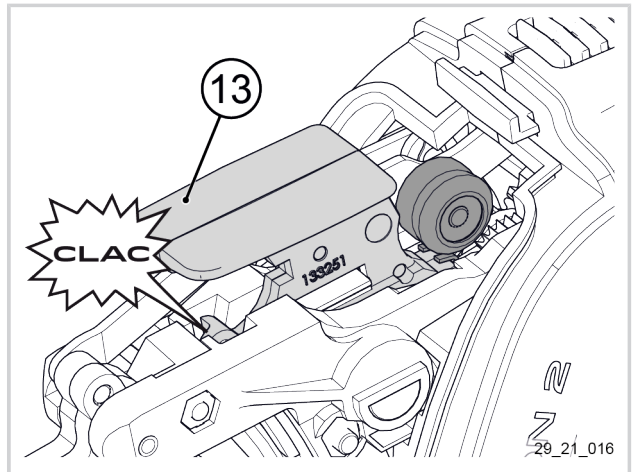


8. Insert the upper guide (13) to the end stop, under the support roller.
9. Clip the upper guide (13) into position.

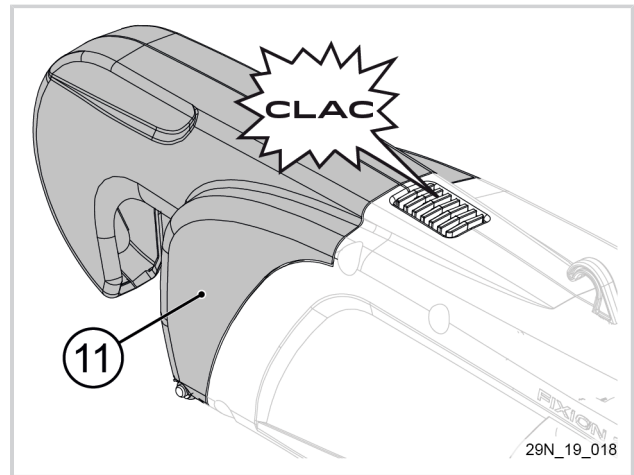
Important

The top guide (13) should be slid all the way back and then clipped to the front of the tool.

You should hear a "click".

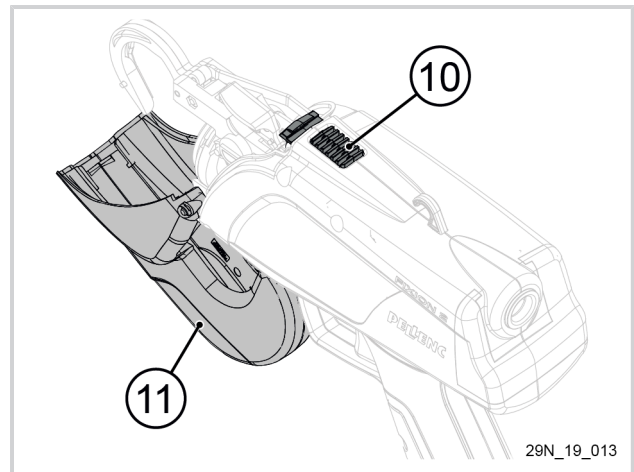


10. Close the swivel dispenser (11).



6.6. REPLACING THE TWISTER

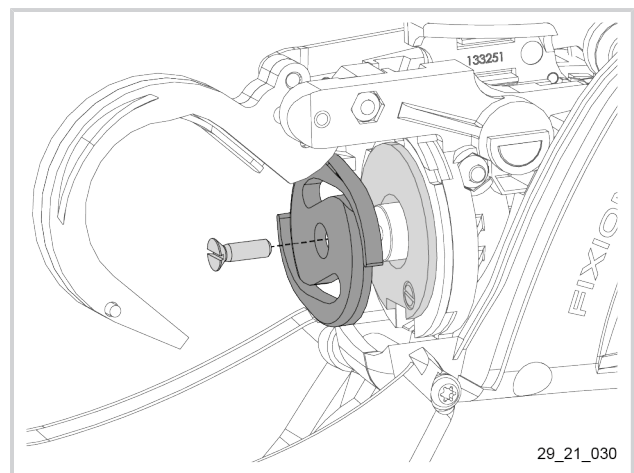
1. Open the swivel dispenser (11) with the lock/unlock button (10).



2. Manually hold the twister.
3. Loosen the screw with a flat screwdriver.
4. Remove the screw.
5. Remove the twister (18).

Tip

Use a flat screwdriver to detach the twister (18) from the back plate.



6. Position the new twister (18) in place.

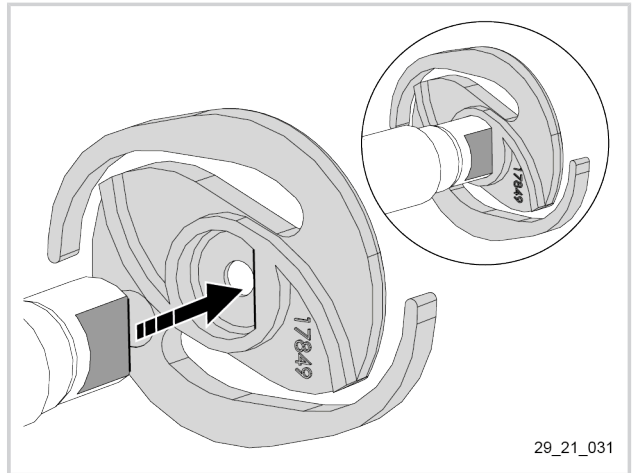
Important

Check the positioning of the twister:

- the flat of the twister (18) must be on the flat of the indexer.

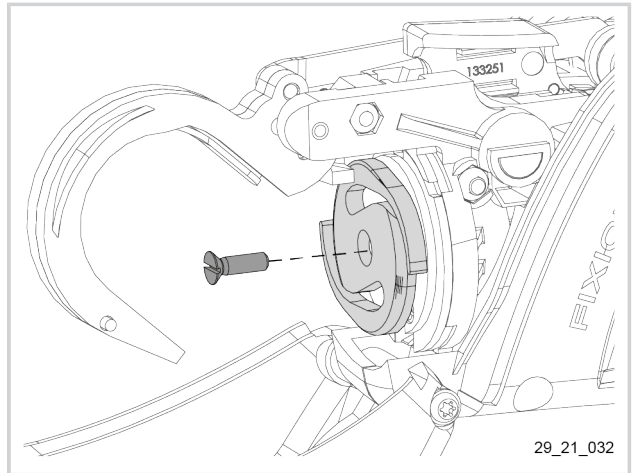
Check the rotation direction of the twister (18):

- The smooth side of the twister should be on the outside.



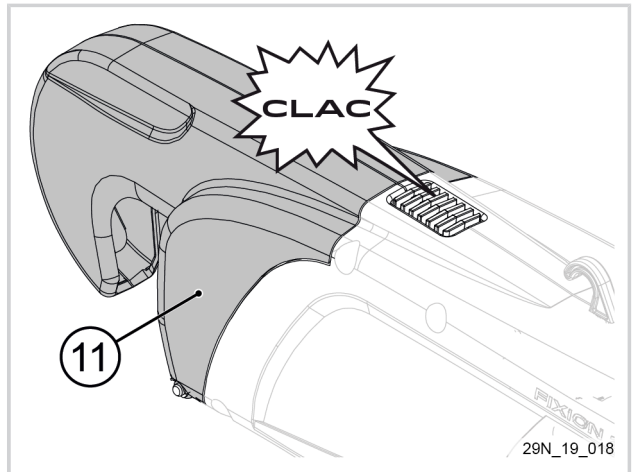
29_21_031

7. Position the screw.
8. Tighten the screw to a torque of 0.3 N.m using a flat torque screwdriver.



29_21_032

5. Close the swivel dispenser (11).



29N_19_018

6.7. BUILT-IN BATTERY

Important

Ⓒ The battery must be replaced only by an approved distributor. The integrated battery must be checked by an authorised dealer PELLENC when the tool is serviced.

6.8. CHARGER

This does not need any particular maintenance, but must be kept in a dry, ventilated, dust-free place, away from heat.

Important

Ⓒ The charger must be checked by an authorised dealer PELENC when the tool is serviced.

7. INCIDENTS AND TROUBLESHOOTING

7.1. SUMMARY OF CHARGE INDICATOR AND BEEP MESSAGES

Normal messages	
Use	
88 fixed	Battery charge level (0 to 99)
00 with 1 beep per minute	Battery empty, recharge immediately
00 flashing with 1 beep every 10 seconds	Stop using, recharge immediately
Charging	
88 flashing every 4 seconds	Battery charge level (0 to 99)
99 fixed	Charging complete
Storage	
88 flashing	Auto discharge indicator after 10 days unused (final threshold <30%).

Degraded mode messages	
Use	
°C and 55 alternately	Stop the tool; the battery temperature is too high
1 long beep and 1 short beep	Stop the tool: current too high
1 long beep and 4 short beeps	Stop the tool; the tool temperature is too high
Charging	
°C and 00 alternately	Charge interrupted: Battery temperature too low
°C and 45 alternately	Charge interrupted: Battery temperature too high

Fault messages	
Use	
88 and 1 beep every 2 minutes for 24 hours	Voltage too low after 3 hours of non-use. Recharge battery immediately
Charging	
Pb and bA alternating and continuous beep	Battery problem
Pb and CH alternately	Charger problem

7.2. TYING MACHINE AND INTEGRATED BATTERY


If your tool no longer works:

1. Turn off the tool with the off button (power indicator light off).
2. Check the battery is charged, as shown on the gauge display.
3. Check that nothing is blocking the passage of the tie: Repeat the procedure in the Section 5.7, "End of the tie band spool".
4. Clean the tool (see Section 6, "Maintenance").
5. Turn on the tool with the on button (power indicator light on).
6. Press the trigger.
7. If the tool does not work, return the complete equipment in its original packaging to a certified repair service.

If the tie breaks during tying:

1. Adjust the tightness of the tie by reducing the number of twists, refer to Section 5.2, "Adjusting the tightness of the tie".


Important

 Never attempt to dismantle the tying machine, under penalty of cancellation of the warranty. Contact your authorised repair person.

7.3. CHARGER**If the light indicator does not come on when charging:**

1. Disconnect the charger power connector.
2. Check the mains supply.
3. Reconnect the charger power connector (if the charger still does not work, return the complete equipment in its original packaging to a certified repair service).

Important

 Never try to open one of the components other than those specified in this manual.

8. STORAGE AND TRANSPORT

8.1. STORAGE

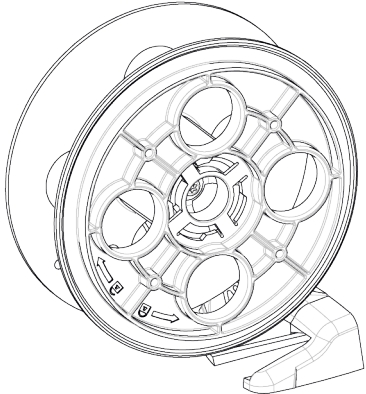
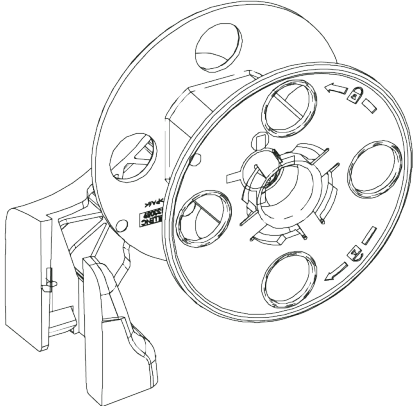
- Store the tool in its carrying case away from heat, dust and moisture, and ensure that the tool is switched off.
- Never store the tool at an ambient temperature above +45 °C.
- To preserve the life of the battery and to avoid deterioration, it is imperative to store the tool with the battery charged and to recharge it every 24 months if not used.
- Do not leave the tool on the ground or exposed to the weather.

9. ACCESSORIES AND CONSUMABLES

9.1. ACCESSORIES INCLUDED

Refer to Section 3.1, "Description of the tool".

9.2. OPTIONAL ACCESSORIES

Name	reference	
200 metre tie band spool support assembly	159299	 <p style="text-align: right;">29_21_017</p>
Dispenser for small tie band spool	133063	 <p style="text-align: right;">29_21_022</p>

9.3. CONSUMABLES

9.3.1. TIES

Name	reference
Box of 30 s/steel tie band spools	57053
Box of 30 paper 0.36 tie band spools	57052
Box of 30 STD tie band spools	57047
Box of 30 climate tie band spools	57273
Box of 30 paper tie band spools	57049
Box of 60 s/steel tie band spools	57228
Box of 60 paper 0.36 tie band spools	57191
Box of 60 STD tie band spools	57203
Box of 60 climate tie band spools	57274
Box of 60 paper tie band spools	57204

Note

Box of 30 tie band spools = 200 metres of ties.

Box of 60 tie band spools = 60 metres of ties.

10. WARRANTIES

10.1. GENERAL WARRANTIES

10.1.1. STATUTORY WARRANTY

10.1.1.1. LATENT DEFECTS WARRANTY

Apart from the commercial warranty provided for under Article II, Article 1641 of the Civil Code provides that "the seller is bound to a warranty on account of latent defects of the object sold which render it unfit for the use for which it was intended, or which would impair said use to the extent that the buyer would not have acquired it, or would only have given a lesser price for it, had he known of them".

Article 1648 of the Civil Code "The action resulting from latent defects must be brought by the purchaser within two years after the discovery of the defect."

10.1.1.2. LEGAL WARRANTY OF CONFORMITY

Article L.217-4 of the French Consumer Code "The seller delivers goods in conformity with the contract and is liable for defects of conformity existing upon delivery".

The seller is also liable for any lack of compliance resulting from the packaging, assembly or installation instructions whenever its contractual liability is engaged in this regard or the latter are carried out under its responsibility.

Article L.217-5 of the French Consumer Code "Goods are compliant with the contract":

1. Where they are fit for the purpose normally expected of similar goods and, where applicable:
 - If it matches the description given by the seller and possesses the qualities that were presented to the purchaser in the form of a sample or model;
 - If it possesses the qualities that a purchaser can reasonably expect given the public statements made by the seller, the producer or its representative, especially in advertising or labelling;
2. Or, if it has the characteristics defined by mutual agreement of the parties or is fit for any particular purpose that the buyer made known to the seller and that the latter accepted.

Article L.217-12 of the Consumer Code "legal action resulting from lack of conformity lapses two years after delivery of the goods".

10.1.2. COMMERCIAL WARRANTYPELENC

10.1.2.1. CONTENT

10.1.2.1.1. GENERAL INFORMATION

In addition to legal warranties, client users benefit from the commercial warranty on products PELENC covering the exchange and replacement of parts recognised as being out of order, due to machining defects, assembly defects or material defects, whatever the cause.

The warranty is fully integral to the product sold by PELENC.

10.1.2.1.2. SPARE PARTS

The commercial warranty also covers original PELENC spare parts, excluding labour and to the exclusion of certain parts of each product provided at delivery.

10.1.2.2. DURATION OF THE WARRANTY**10.1.2.2.1. GENERAL INFORMATION**

PELLENC Products are guaranteed under the commercial warranty as from delivery to the customer for a period of two (2) years for products connected to a PELLENC battery, and for a period of one (1) year for other PELLENC products.

10.1.2.2.2. SPARE PARTS

PELLENC Replacement parts replaced under the product warranty are guaranteed under the commercial warranty as from delivery of the PELLENC product to the customer user for a period of two (2) years for products connected to a PELLENC battery, and for a period of one (1) year for other PELLENC products.

In the case of products connected to a PELLENC battery, parts that are replaced under the product warranty after the 12th month of use, are covered for a period of one (1) year.

10.1.2.2.3. WARRANTY EXCLUSIONS

Excluded from the commercial warranty are products that have been subject to abnormal use, or were used under conditions and for purposes other than those for which they were manufactured, especially in the case of non-compliance with conditions stipulated in this operating instructions manual.

It does not apply in case of shock, fall, neglect, lack of supervision or maintenance or in case of transformation of the product. Also excluded from the warranty are products that have been subject to tampering, alteration or modification by the customer user.

Wear parts and/or consumables cannot be covered by the warranty.

10.1.2.3. IMPLEMENTATION OF THE COMMERCIAL WARRANTY**10.1.2.3.1. PRODUCT COMMISSIONING AND COMMISSIONING DECLARATION**

The DISTRIBUTOR undertakes to complete the computer commissioning declaration form, no later than eight days after the delivery of the property to the user customer, in order to activate the latter on the www.pellenc.com website under "warranties and training" in the "extranet" menu, using the identifier previously provided to them by PELLENC.

Failing that, commissioning declaration will not be effective and implementation of the commercial warranty PELLENC will not occur. As a consequence thereof, the DISTRIBUTOR must ensure the financial burden of its intervention under the warranty without being able to pass on the cost to the client user.

The DISTRIBUTOR shall also undertake to complete the warranty card or the certificate of warranty and commissioning for self-propelled equipment provided with the product after having the client user sign and date it.

10.1.3. PAID AFTER-SALES SERVICE**10.1.3.1. GENERAL INFORMATION**

Malfunctions, breakdowns, breakages resulting from misuse, neglect or improper maintenance by the client user as well as malfunctions resulting from normal wear of the product are subject to the payment of after-sales service, even during the period of the legal and commercial warranty. After-sales service repairs that fall outside of the legal and commercial warranty also include maintenance, adjustments, diagnostics of all types, and cleaning without the present list being exhaustive.

10.1.3.2. WEAR PARTS AND CONSUMABLES

Wear parts and consumables also fall within the after-sales service.

10.1.3.3. SPARE PARTS

Paid after-sales service also covers original PELENC spare parts, excluding labour and outside the legal and commercial warranty period.

In case of replacement of original PELENC spare parts in the context of after-sales service, said latter are covered by a warranty of one year as from the installation date.

11. EC STATEMENT OF COMPLIANCE

11.1. "EC" DECLARATION OF CONFORMITY: FIXION 2

MANUFACTURER/ENTITY AUTHORISED TO COMPILE THE TECHNICAL FILE	PELENC
ADDRESS	Quartier Notre-Dame - 84120 Pertuis (France)

We hereby declare that the machine referred to below as:

GENERIC DENOMINATION	Tying machine		
FUNCTION	Intended to attach vine shoots		
COMMERCIAL NAME	FIXION 2		
TYPE	FIXION 2		
MODEL	FIXION 2		
SERIAL NO.	29V00001 - 29V49999	29W00001 - 29W49999	29X00001 - 29X49999

Complies with the relevant provisions of the machinery directive 2006/42/EC.

Complies with the provisions of the following European Directives:

- 2014/30/EU EMC Directive; 2011/65/EU ROHS Directive; 2014/53/EU RED Directive; 2006/66/EC Batteries & Accumulators Directive; 1907/2006 REACH Regulation; 2012/19/EU WEEE Directive

The following harmonised European standards have been used in part or in full:

- EN 62841-1:2015 ; EN 55014-1:2017 ; EN 55014-2:2015 ; EN 62133-2:2017 ; EN 61000-3-2:2019 ; EN 61000-3-3:2013+A1:2019

SIGNED IN PERTUIS, DATED 22/06/2021

JEAN-MARC GIALIS

CHIEF EXECUTIVE OFFICER



PELLENC

   www.pellenc.com

PELLENC
Quartier Notre Dame - 84120 Pertuis (France)

