

ENG

Translation of the original operating instructions manual



ELECTRIC HEDGE TRIMMER HELION 3



Operating instructions

54_161520-B
01/2022

READ THE USER GUIDE CAREFULLY BEFORE USE

TABLE OF CONTENTS

1. INTRODUCTION	5
2. SAFETY	6
2.1. INTENDED USAGE	6
2.2. GENERAL POWER TOOL SAFETY WARNINGS	6
2.2.1. <i>WORK AREA SAFETY</i>	6
2.2.2. <i>ELECTRICAL SAFETY</i>	6
2.2.3. <i>PERSONAL SAFETY</i>	7
2.2.4. <i>POWER TOOL USE AND CARE</i>	7
2.2.5. <i>BATTERY TOOL USE AND CARE</i>	7
2.2.6. <i>SERVICING</i>	8
2.2.7. <i>MANAGEMENT OF THE RECYCLING AND RECOVERY OF WASTE FROM YOUR TOOL</i>	8
2.3. SAFETY WARNING FOR THE HEDGE TRIMMER	8
2.4. SAFETY SIGNAGE	9
2.5. PERSONAL PROTECTION EQUIPMENT	10
3. DESCRIPTION AND TECHNICAL CHARACTERISTICS	11
3.1. DESCRIPTION OF THE TOOL	11
3.2. TECHNICAL FEATURES	11
3.2.1. <i>TOOL FEATURES</i>	11
3.2.2. <i>CHARGERS AND BATTERIES COMPATIBILITY</i>	12
3.2.3. <i>COMPATIBLE BLADES</i>	12
3.2.4. <i>VIBRATION AND NOISE EMISSION VALUES</i>	12
4. COMMISSIONING	13
4.1. PACKAGE CONTENTS	13
4.2. MOUNTING THE HANDLE	13
4.3. MOUNTING THE BLADE	14
4.4. POSITION OF THE HANDLE	15
4.5. CONNECTING PELENC BATTERIES TO THE TOOL	15
4.6. DISCONNECTING THE BATTERY	16
5. USAGE	16
5.1. STARTING AND STOPPING THE ELECTRIC HEDGE TRIMMER HELION 3	16
5.1.1. <i>START-UP OF THE TOOL</i>	16
5.1.2. <i>STOPPING THE TOOL</i>	18
5.2. HEDGE-TRIMMING SPEED MANAGEMENT	18
5.3. TIPS FOR USING THE ADAPTABLE BLADES	19
5.4. WORKING TECHNIQUES	19
6. MAINTENANCE	20
6.1. MAINTENANCE ADVICE	20
6.2. TOOL MAINTENANCE TABLE	21

6.3. ANNUAL OVERHAUL	22
6.4. TIGHTENING BLADES	22
6.5. CLEANING THE BLADES	23
6.6. GREASING THE HEDGE TRIMMER BLADE REDUCER	24
6.7. SHARPENING THE BLADES	25
7. INCIDENTS AND TROUBLESHOOTING	26
7.1. TROUBLESHOOTING SYMPTOMS OF THE HELION 3 ELECTRIC HEDGE TRIMMER	26
8. STORAGE AND TRANSPORT	27
8.1. STORAGE	27
8.2. OFF-SEASON STORAGE	27
9. ACCESSORIES AND CONSUMABLES	28
9.1. PRESENTATION OF BLADE TYPES	28
9.1.1. ACCESSORIES PROVIDED WITH EACH BLADE	28
9.2. ACCESSORIES	28
9.3. CONSUMABLES	28
10. WARRANTIES	29
10.1. GENERAL WARRANTIES	29
10.1.1. STATUTORY WARRANTY	29
10.1.2. COMMERCIAL WARRANTY PELLENC	29
10.1.3. PAID AFTER-SALES SERVICE	30
11. COMPLIANCE STATEMENTS	32
11.1. STATEMENT  OF COMPLIANCE: HELION 3	32
11.2. UK DECLARATION OF CONFORMITY  : HELION 3	33

1. INTRODUCTION

Dear Customer,

Thank you for purchasing your Electric hedge trimmer Helion 3. Properly used and maintained, this equipment will give you years of satisfaction.



Warning

Your machine contains numerous recoverable or recyclable materials. Return it to your dealer or, failing this, to an approved servicing centre to be treated.



Comply with the regulations in force in your country as concerns environmental protection associated with your activity.



Warning

It is imperative that you read through the ENTIRE user's manual guide before using or servicing the tool. Always comply with the instructions and illustrations provided in the user's manual.


Throughout the user's manual guide you will find advisory notes and information entitled: NOTE, IMPORTANT, ATTENTION and WARNING.

Points marked "NOTE" indicate additional information.

Points marked "IMPORTANT" warn the user of a potential risk for the equipment.

Points marked "ATTENTION" warn the user of a potentially hazardous situations which if not avoided may result in minor injuries.

Points marked "WARNING" warn the user of a potentially hazardous situation which if not avoided may result in serious injury or death.

The warning  indicates that damage resulting from failure to comply with the procedures and instructions is not covered by the warranty and the owner will be liable for any repair costs.

Safety indications are also given on the tool; they remind you of the safety precautions to be taken. Identify and read these indications before using the tool. Immediately replace any indications that may become partially illegible or deteriorated.

Refer to Section 2.4, "Safety signage" for the location diagram of the safety stickers affixed to the tool.

No part of this manual may be reproduced without the written permission of the company PELENC. The illustrations provided in this manual are for information purposes only and are in no way contractual. The PELENC company reserves the right to make any modification or improvement to its products as deemed necessary without informing customers already in possession of a similar model. This manual forms an integral part of the tool and must accompany the tool if it changes hands.

2. SAFETY

2.1. INTENDED USAGE

- The Electric hedge trimmer Helion 3 is a professional tool whose use is reserved exclusively for trimming vegetation.
- Any other use of this tool is not intended.
- The PELENC company accepts no responsibility for any damage caused by improper or unspecified use different from its original intention.
- The user is responsible for any accident resulting from improper use or unauthorized modification of this tool.
- The PELENC company accepts no responsibility for any damage caused by the use of non-original parts or accessories.

2.2. GENERAL POWER TOOL SAFETY WARNINGS



Warning

Read all safety warnings, instructions, illustrations and specifications provided with this power tool. Failure to follow all instructions listed below may result in electric shock, fire and/or serious injury.

Note

Save all warnings and instructions for future reference.

The term "power tool" in the warnings refers to your mains-operated (corded) power tool or battery-operated (cordless) power tool.

2.2.1. WORK AREA SAFETY

1. **Keep the work area clean and well lit.** Cluttered or dark areas invite accidents.
2. **Do not operate power tools in explosive atmospheres, such as in the presence of flammable liquids, gases or dust.** Power tools create sparks, which may ignite the dust or fumes.
3. **Keep children and bystanders away while operating a power tool.** Distractions can cause you to lose control of the tool.

2.2.2. ELECTRICAL SAFETY

1. **Power tool plugs must match the outlet. Never modify the plug in any way. Do not use any adapter plugs with earthed (grounded) power tools.** Unmodified plugs and matching outlets will reduce risk of electric shock.
2. **Avoid body contact with earthed surfaces or grounded surfaces such as pipes, radiators, ranges, and refrigerators.** There is an increased risk of electric shock if your body is earthed or grounded.
3. **Do not expose power tools to rain or wet conditions.** Water entering a power tool will increase the risk of electric shock.
4. **Do not abuse the cord. Never use the cord for carrying, pulling or unplugging the power tool. Keep cord away from heat, oil, sharp edges or moving parts.** Damaged or entangled cords increase the risk of electric shock.
5. **When operating a power tool outdoors, use an extension cord suitable for outdoor use.** Use of a cord suitable for outdoor use reduces the risk of electric shock.
6. **If operating a power tool in a damp location is unavoidable, use a residual current device (RCD) protected supply.** Use of an RCD reduces the risk of electric shock.

2.2.3. PERSONAL SAFETY

1. **Stay alert, watch what you are doing, and use common sense when operating a power tool. Do not use a power tool while you are tired or under the influence of drugs, alcohol or medication.** A moment of inattention while operating power tools may result in serious personal injury.
2. **Use personal protective equipment. Always wear eye protection.** Protective equipment such as dust mask, non-skid safety shoes, hard hat, or hearing protection used for appropriate conditions will reduce personal injuries.
3. **Prevent unintentional starting. Ensure the switch is in the off-position before connecting to power source and/or battery pack, picking up or carrying the tool.** Carrying power tools with your finger on the switch or plugging in power tools with the switch in the on position can cause accidents.
4. **Remove any adjusting key or wrench before turning the power tool on.** A wrench or a key left attached to a rotating part of the power tool may result in personal injury.
5. **Do not overreach. Keep proper footing and balance at all times.** This enables better control of the power tool in unexpected situations.
6. **Dress properly. Do not wear loose clothing or jewelry. Keep your hair and clothing away from moving parts.** Loose clothes, jewelry or long hair can be caught in moving parts.
7. **If devices are provided for connection of dust extraction and collection facilities, ensure these are connected and properly used.** Use of dust collection can reduce dust-related hazards.
8. **Do not let familiarity gained from frequent use of tools allow you to become complacent and ignore tool safety principles.** A careless action can cause severe injury within a fraction of a second.

2.2.4. POWER TOOL USE AND CARE

1. **Do not force the power tool. Use the correct power tool for your application.** The correct power tool will do the job better and safer at the rate for which it was designed.
2. **Do not use the power tool if the switch does not turn it on and off.** Any power tool that cannot be controlled with the switch is dangerous and must be repaired.
3. **Disconnect the plug from the power source and/or remove the battery pack, if detachable, if from the power tool before making any adjustment, changing accessories, or storing power tools.** Such preventive safety measures reduce the risk of starting the power tool accidentally.
4. **Store idle power tools out of the reach of children and do not allow persons unfamiliar with the power tool or these instructions to operate the power tool.** Power tools are dangerous in the hands of untrained users.
5. **Maintain power tools and accessories. Check for misalignment or binding of moving parts, breakage of parts and any other condition that may affect the power tool's operation. If damaged, have the power tool repaired before use.** Many accidents are caused by poorly maintained power tools.
6. **Keep cutting tools sharp and clean.** Properly maintained cutting tools with sharp cutting edges are less likely to bind and are easier to control.
7. **Use the power tool, accessories and tool bits etc. in accordance with these instructions, taking into account the working conditions and the work to be performed.** Use of the power tool for operations different from those intended could result in a hazardous situation.
8. **Keep handles and grasping surfaces dry, clean and free from oil and grease.** Slippery handles and grasping surfaces do not allow for safe handling and control of the tool in unexpected situations.

2.2.5. BATTERY TOOL USE AND CARE

1. **Recharge only with the charger specified by the manufacturer.** A charger that is suitable for one type of battery pack may create a risk of fire when used with another battery pack.
2. **Use power tools only with specifically designated battery packs.** Use of any other battery packs may create a risk of injury and fire.
3. **When battery pack is not in use, keep it away from other metal objects, like paper clips, coins, keys, nails, screws or other small metal objects, that can make a connection from one terminal to another.** Shorting the battery terminals together may cause burns or a fire.
4. **Under abusive conditions, liquid may be ejected from the battery; avoid contact. If contact accidentally occurs, flush with water. If liquid contacts eyes, additionally seek medical help.** Liquid ejected from the battery may cause irritation or burns.

5. **Do not use a battery pack or tool that is damaged or modified.** Damaged or modified batteries may exhibit unpredictable behaviour resulting in fire, explosion or risk of injury.
6. **Do not expose a battery pack or tool to fire or excessive temperature.** Exposure to fire or temperature above 130 °C (or 265°F) may cause explosion.
7. **Follow all charging instructions and do not charge the battery pack or tool outside the temperature range specified in the instructions.** Charging improperly or at temperatures outside the specified range may damage the battery and increase the risk of fire.

2.2.6. SERVICING

1. **Have your power tool serviced by a qualified repair person using only identical replacement parts.** This will ensure that the safety of the power tool is maintained.
2. **Never service damaged battery packs.** Service of battery packs should only be performed by the manufacturer or authorized service providers.

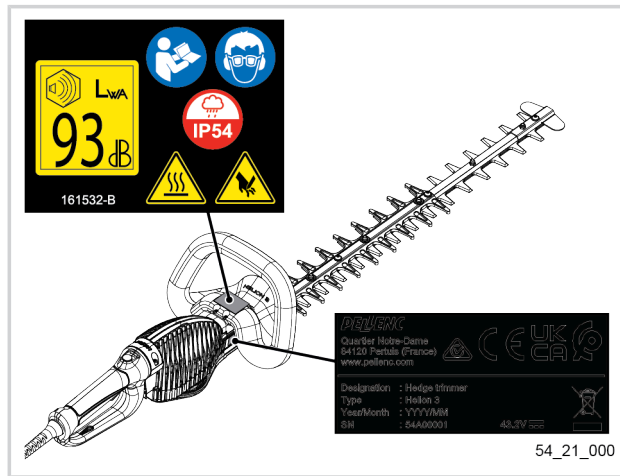
2.2.7. MANAGEMENT OF THE RECYCLING AND RECOVERY OF WASTE FROM YOUR TOOL

1. **When the tool reaches the end of its life, PELENC keeps the end of life sheet of the equipment at disposal.** The end of life sheet provides instructions for safely removing components.

2.3. SAFETY WARNING FOR THE HEDGE TRIMMER

1. **Keep all parts of the body away from the cutting blade. Do not clear away cut materials or hold elements when blades are moving.** The cutting blades continue to move after powering off. A moment of inattention while operating a hedge trimmer may result in serious personal injury.
2. **Carry the hedge trimmer by the handle with the cutter bar stopped and being careful not to press the On/Off switch.** Proper transportation of the hedge trimmer reduces the risk of inadvertent starting of the machine and bodily injuries from the blades.
3. **When transporting or storing the hedge trimmer, always install the blade protector sleeve.** Correct use of the hedge trimmer reduces the risk of bodily injury from the blades.
4. **When clearing jams or repairing the machine, make sure all power switches are off and the power cable is removed or disconnected.** Unintentional activation of the hedge trimmer when clearing jams or undertaking repairs can result in serious injury.
5. **Hold the hedge trimmer with both hands on the insulated gripping surfaces only, as the blade may come into contact with hidden electrical wires.** Blades that come in contact with an "active" wire may "electrify" the exposed metal parts of the hedge trimmer and expose the operator to electrical shock.
6. **Keep all power cords and cables away from the cutting area.** Power cords and cables may be hidden in hedges or bushes and can be accidentally cut by the blade.
7. **Do not use the hedge trimmer in adverse weather conditions, especially if there is a risk of lightning.** This decreases the risk of being struck by lightning.

2.4. SAFETY SIGNAGE



LWA sound power level guaranteed



Please read the operating instructions.



It is mandatory to wear safety goggles.



Protection rating IP54 (All-over protection against dust and water spray).



Risk of burns



Sharp cutting tool: Keep your hands away from the hedge-trimmer blade.



Regulatory Compliance Mark (RCM).

The product complies with the legal requirements for electrical safety and/or electromagnetic compatibility (EMC).



Tool compliant with EC standards.



Tool compliant with British standards



Tool compliant with Moroccan standards.



Lithium-ion battery.

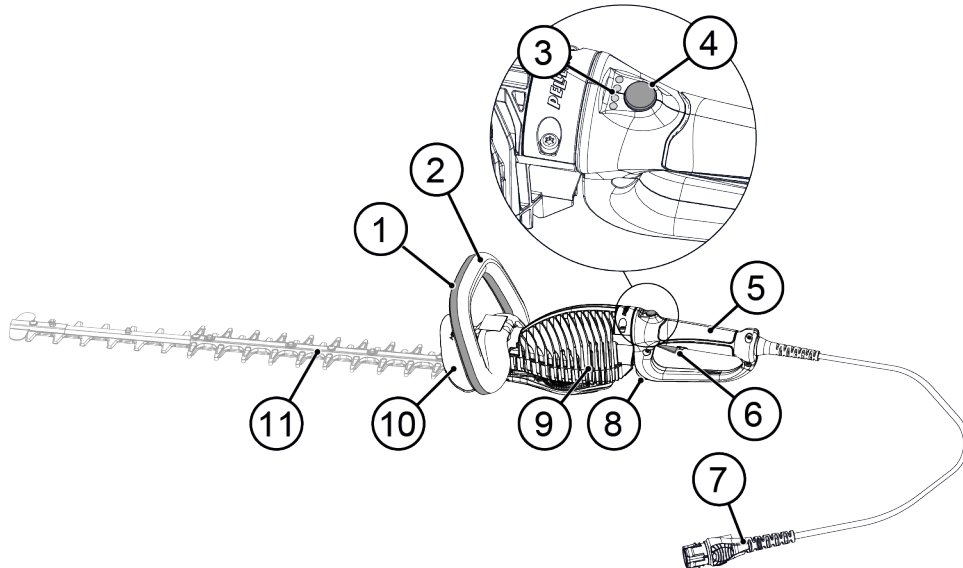
At the end of its life, the battery must be returned to the authorized distributor from whom it was purchased to be recycled in accordance with waste regulations.

2.5. PERSONAL PROTECTION EQUIPMENT

	Equipment	Wearing of	Description	
<p>00_20_054</p>	1	Safety helmet	Recommended	Mandatory if there is a risk of falling objects
	2	Protective visor	Recommended	Risk of projections.
	3	Protective gloves	Recommended	Wear hand protection especially when working on the cutting tool.
	4	Robust, non-slip safety shoes	Recommended	When operating the machine, always wear non-slip safety shoes. Do not operate the machine in bare feet or with sandals.
	5	Ear protection	Mandatory	Wear approved ear protectors with sufficient noise attenuating effect. Prolonged exposure to noise can cause permanent hearing damage.
	6	Safety goggles	Mandatory	Wear approved eye protection.
	7	Jacket or over-sleeves	Recommended	Risk of projections.
	8	Work trousers	Recommended	Always wear clothing that covers the operator's legs when the machine is in operation.
	9	Shin pads	Optional	Risk of projections.

3. DESCRIPTION AND TECHNICAL CHARACTERISTICS

3.1. DESCRIPTION OF THE TOOL



54_21_001

- | | |
|------------------------------------|---------------------------|
| 1. Front handle safety trigger | 7. Quick connector |
| 2. Front handle | 8. Handle rotation button |
| 3. Power "On" and speed indicators | 9. Engine housing |
| 4. Speed button | 10. Hand guard |
| 5. Rear handle | 11. Blade (not included) |
| 6. Drive trigger | |

3.2. TECHNICAL FEATURES

3.2.1. TOOL FEATURES

	HELION 3		
Power	1200 W		
Tool voltage	43.2V		
Hedge trimmer blade	L51	L63	L75
Blade weight	1.2 kg	1.3 kg	1.4 kg
Tool + blade weight	3.4 kg	3.55 kg	3.7 kg
Dimensions (l x w x h) in mm	985x232x181	1105x232x181	1225x232x181
Effective cutting length/blade	510 mm	630 mm	750 mm
Space between teeth	33 mm		
Teeth height	23 mm		
Blade speed	3200 to 3800 cuts/min		
Battery-life	Depends on use and battery type		
Protection rating	IP54		

3.2.2. CHARGERS AND BATTERIES COMPATIBILITY

Battery	Charger	Remarks
ALPHA 260	CB5022 ; CB5022HV	*with adapter cord ref. 57248
ALPHA 520	CB5022 ; CB5022HV	*with adapter cord ref. 57248
ULIB 750	CB5022; CB5022HV	*with adapter cord ref. 57238

3.2.3. COMPATIBLE BLADES

Blade type	References
L51	56205
L63	56206
L75	56207

3.2.4. VIBRATION AND NOISE EMISSION VALUES

The determination of noise levels and vibration rates is based on operating conditions at maximum rated speed according to a standardised test method. It can be used to compare two machines.

Sound pressure values

Maximum sound pressure level at the user's position (uncertainty K_{pA} : 1.5 dB (A))	$L_{pa} = 79$ dB (A)
Peak sound pressure level at the user's position	$L_{pC} < 130$ dB(C)

Sound power values

Measured sound power level L_{WA} (uncertainty K_{WA} : 0.6 dB(A))	$L_{WA_m} = 92$ dB
Guaranteed sound power level L_{WA_g}	$L_{WA_g} = 93$ dB

The measured sound power level and the guaranteed sound power level were measured on a hedge trimmer with a 750 mm long blade.

The measured sound level and the guaranteed sound power level were measured according to a procedure in accordance with Directive 2000/14 / EC Annex V.

Vibration values

Vibratory emission values at the handle determined in accordance with EN 62841-4-2: 2009 (uncertainty of $K = 1.5$ m / s ²)	$a_h = 3.4$ m/s ²
---	------------------------------

The total declared values for vibration and noise emissions can be used for a preliminary exposure assessment.

Caution

Vibrations during actual working use of the machine may differ from the total declared value, depending on the way the machine is used

It is necessary to identify safety measures to protect the operator, based on an estimate of exposure under actual operating conditions (taking into account all parts of the operating cycle, such as the time the machine is switched off and the time it is idling, in addition to the working time).

4. COMMISSIONING

4.1. PACKAGE CONTENTS

Check that the Electric hedge trimmer Helion 3 is delivered with:

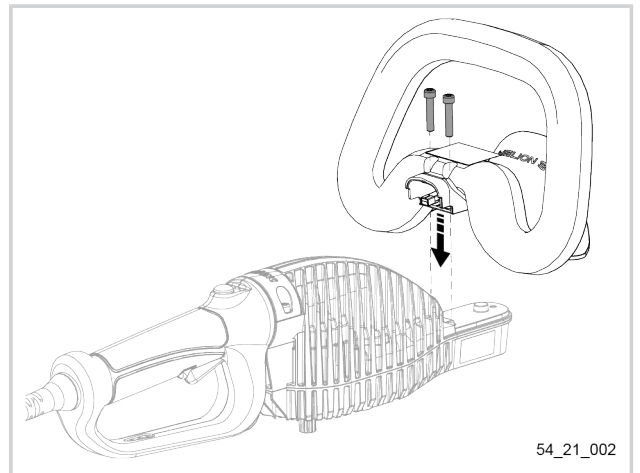
- 1x hedge trimmer without blade (handle removed)
- 1 x Torx wrench
- 1 x user guide
- 5 x M5x25 screws
- 1x warranty card

4.2. MOUNTING THE HANDLE

1. Take the tool out of its packaging.
2. Retrieve 2 M5x25 screws from the zip bag supplied with the tool.
3. Position the front handle on the tool.
4. Attach the handle with the two M5x25 screws.

Important

Tightening torque: 2.5 N.m.



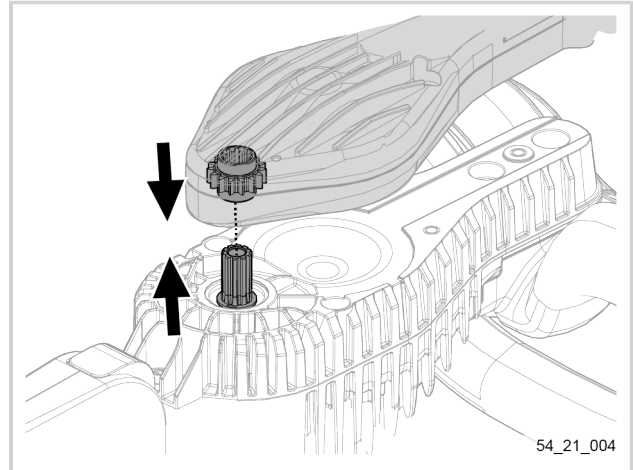
4.3. MOUNTING THE BLADE



Caution

Before working on the tool, check that the battery is switched off and then disconnect the power cord from the battery.

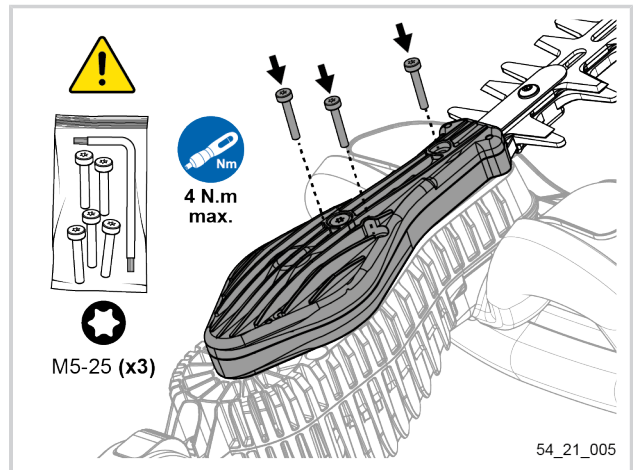
1. Retrieve three M5x25 screws from the zip bag supplied with the tool.
2. Locate the motor shaft over the safety casing and the reducer over the hedge trimmer blade.
3. Position the motor shaft halfway into the reducer.
4. If necessary, rotate the blade slightly to align it with the safety casing.



5. Attach the blade with the three M5x25 screws.

Important

Tightening torque: 4 N.m.



Caution

Ⓢ Only ever use blades supplied by PELLENC to avoid the risk of injury.

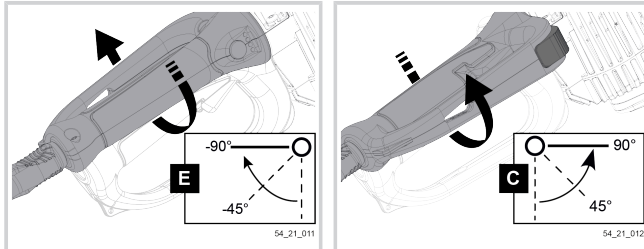


Warning

Ⓢ Running-in of the blade must be done for 1 minute at each change of the blade in a dry run. Check the tightness of the blade after running-in.

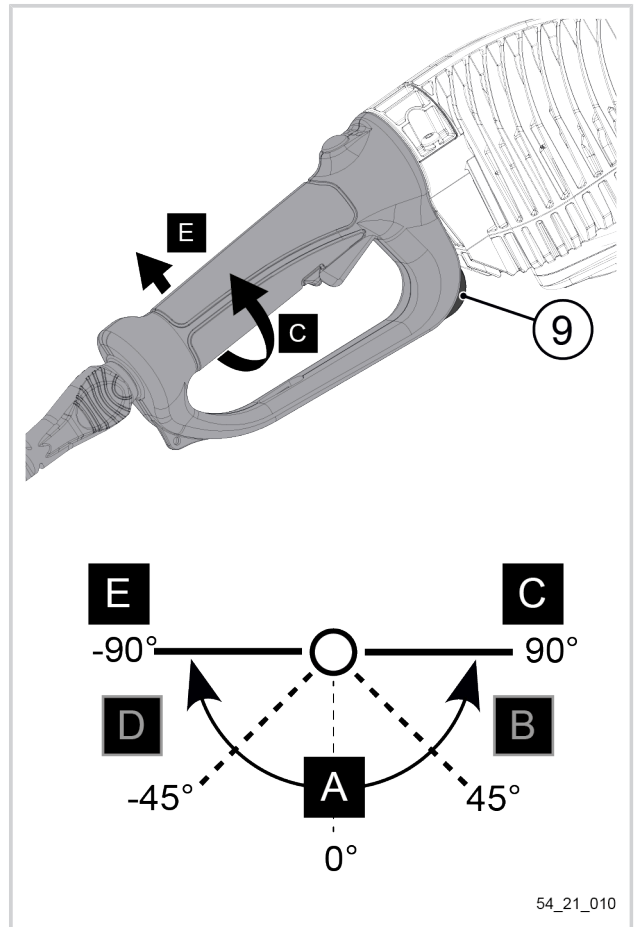
4.4. POSITION OF THE HANDLE

1. Press and hold the handle rotation button (9) to unlock the handle rotation.
2. Rotate the handle to the desired position and release the button.



Note

The handle must be placed in one of the 5 lock positions in order to work.



4.5. CONNECTING PELLENC BATTERIES TO THE TOOL

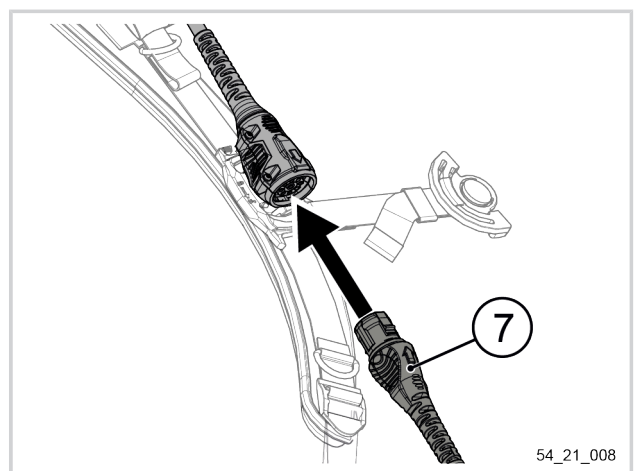
Important

Always check the remaining battery-life before use. If necessary, recharge the battery using the charger.

To prolong the life of the connectors, it is advisable to protect them when they are disconnected. Avoid leaving them in contact with abrasive or dirty surfaces, or subjecting them to significant impacts (falls).

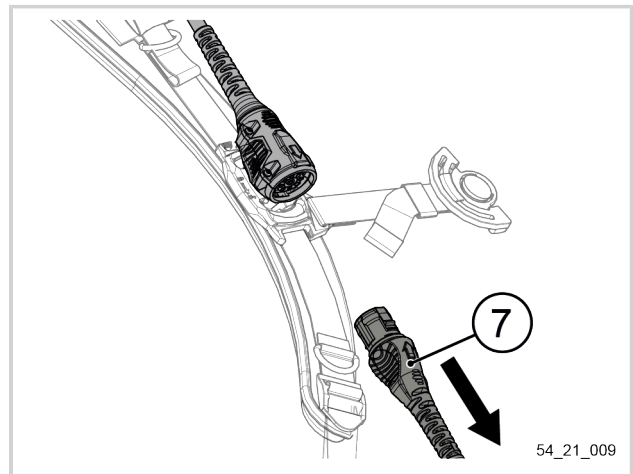
For more information on PELLENC batteries see the battery instructions.

1. Install the battery and the power cord on the harness, refer to the assembly sheet supplied with the harness.
2. Check that the power cord is properly connected.
3. On the right chest strap of the harness, connect the adapter cord (part number 57238 for 750 battery, 57248 for Alpha 520 battery) to the power cord quick connector (7) of the Electric hedge trimmer.



4.6. DISCONNECTING THE BATTERY

1. Switch off the battery.
2. On the right chest strap of the harness, disconnect the adapter cord from the quick connector of the power cord (7) of the Electric hedge trimmer.
3. To remove the battery from the harness, refer to the battery instructions and to the harness assembly instructions



5. USAGE

5.1. STARTING AND STOPPING THE ELECTRIC HEDGE TRIMMER HELION 3

5.1.1. START-UP OF THE TOOL



Caution

Check that the safety devices are running properly before starting work.

1. Check the working area (fences, posts, etc.)
2. Turn the rear handle to the correct position.
3. Connect the tool to the battery, refer to Section 4.5, "Connecting PELLENC batteries to the tool".
4. Turn on your battery.

Note

The front handle safety throttle trigger must be released when the power is turned on. If this is not the case, a flashing inside/outside LED appears and the tool remains non-functional.

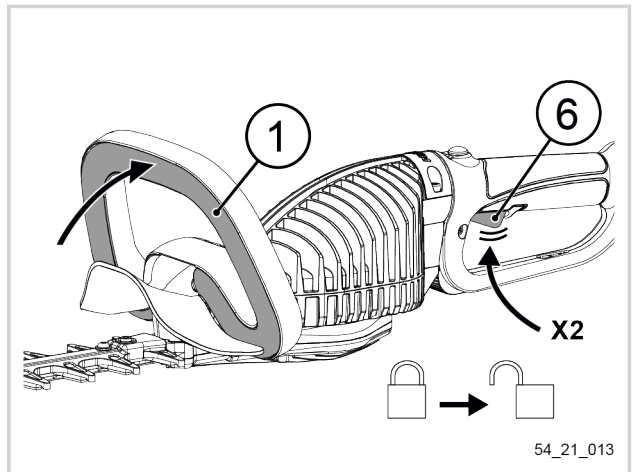
Note

If at least 1 indicator light on the handle is on, the tool is powered up.

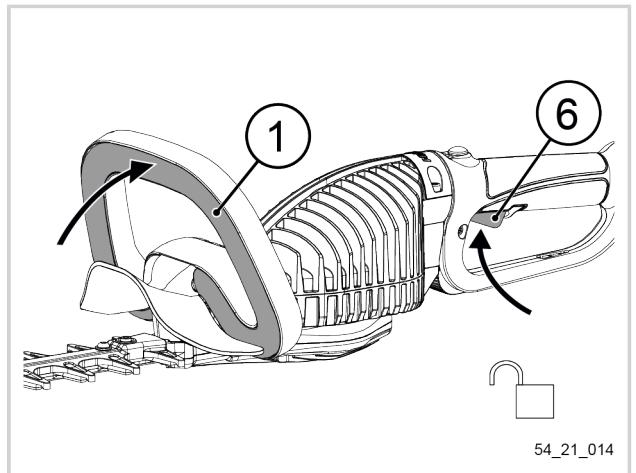


To start the Helion 3 Electric hedge trimmer:

- Hold the front handle safety throttle trigger (1) and pull the drive trigger (6) twice to start the tool.



- Hold the front handle safety throttle trigger (1) and the drive trigger (6) while trimming.

**Note**

If the drive trigger remains released for more than 5 minutes, repeat the above process to re-prime the tool.

The Helion 3 hedge trimmer allows quick connector connection / disconnection. To activate the function, the battery must remain on (switch on I)

Important

Always start the motor before bringing the cutter bar into contact with the wood

5.1.2. STOPPING THE TOOL

1. Switch off the battery and disconnect the tool, refer to Section 4.6, "Disconnecting the battery".
2. Fit the sleeve over the blade.

Note

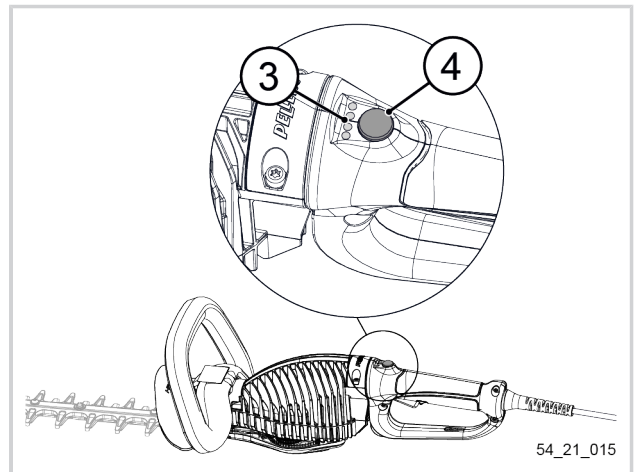
Cover the blade with the sleeve in all of the following situations: transport, adjustment, handling and storage of the tool.



5.2. HEDGE-TRIMMING SPEED MANAGEMENT

Speed setting

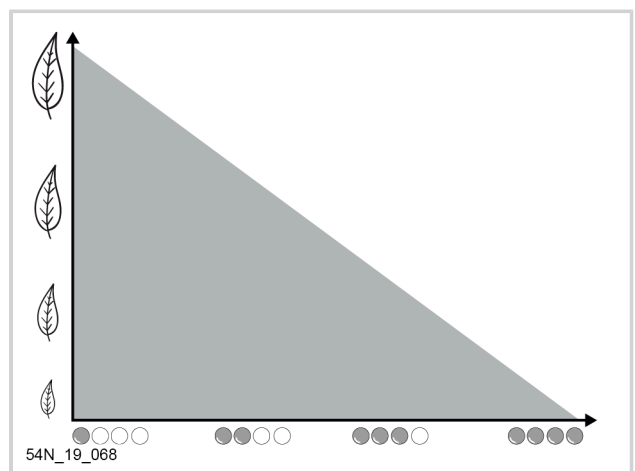
Your tool is equipped with a speed selector system. Changing speeds allows the desired quality of work to be optimised using the speed selector (4) located on the handle. **Four indicator LEDs (3) located on the handle indicate the selected speed level.**



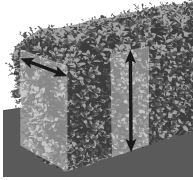
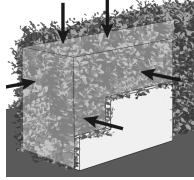
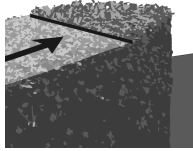
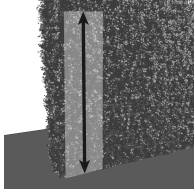
Note

Reduce the speed to a minimum for greater autonomy or when the lights flash (close to thermal safety stop)

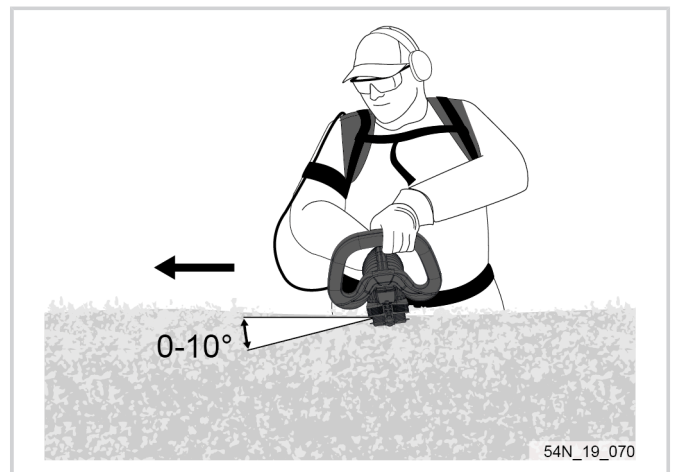
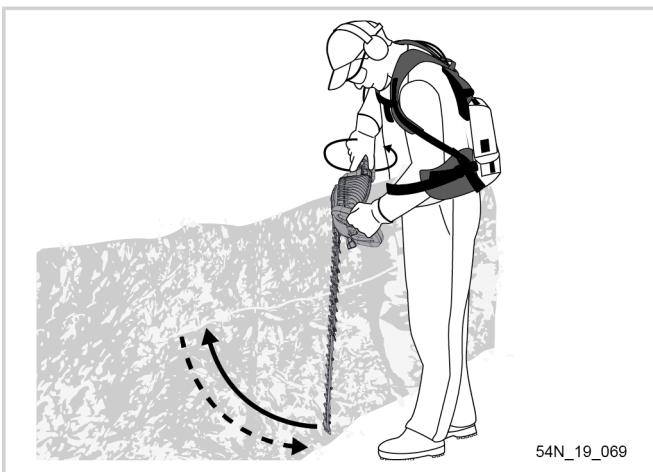
	Speed 1 = 1 LED on (3200 cuts / min)
	Speed 2 = 2 LEDs on (3400 cuts / min)
	Speed 3 = 3 LEDs on (3600 cuts / min)
	Speed 4 = 4 LEDs on (3800 cuts / min)



5.3. TIPS FOR USING THE ADAPTABLE BLADES

				
L51	“POSSIBLE USE”	“OPTIMAL USE” Pruning work over large sections	“POSSIBLE USE”	“POSSIBLE USE”
L63	“OPTIMAL USE” Dense vegetation in small sections	“POSSIBLE USE”	“POSSIBLE USE”	“POSSIBLE USE”
L75	“OPTIMAL USE” Gain working depth on the top of the hedge	“POSSIBLE USE”	“POSSIBLE USE”	“OPTIMAL USE” Not very dense, output efficiency required.

5.4. WORKING TECHNIQUES



6. MAINTENANCE

6.1. MAINTENANCE ADVICE



Caution

Always disconnect the tool battery before starting tool maintenance.

- Use products recommended by PELLENC.
- In the event of any problem, consult an authorised PELLENC distributor.

6.2. TOOL MAINTENANCE TABLE

Elements concerned	Elements concerned	Frequency				Repairer	Notes
		Prior to each use	After each use	Every 50 hours	When necessary		
General appearance	Visual inspection	X	X			User	
	Cleaning		X			User	
Hedge trimmer blade	Cleaning the quick connector base					User	
	Cleaning		X			User	See Section 6.5, "Cleaning the blades"
	Lubrication	X	X			User	See Section 6.5, "Cleaning the blades"
	Screws and fittings	X				User	Tightening torque of the hedge trimmer blade screws: 3.0 N.m Tightening torque of the 3 attachment screws: 4.0 N.m (5.0 N.m max)
Reducer	Sharpening					Authorised PELLENCE distributor	See Section 6.7, "Sharpening the blades"
	Adjustment				X	PELLENCE authorised distributor	Height of the columns
Handles / Triggers	Lubrication			X		User	See Section 6.6, "Greasing the hedge trimmer blade reducer"
Screws and fittings	Operation	X				User	
	Tightening				X	User	
Battery							Please refer to the battery operating instructions

6.3. ANNUAL OVERHAUL

Important

Ⓒ Have your machine serviced every 200 hours or at least once a year by a PELLENC authorised distributor.
Always stock the tool clean and in a dry place, with the battery charged.

These parts must be replaced as a precautionary measure or at least once a year:

Name	Reference
Protective plate	71297
Hedge trimmer screws and fittings kit	120445
Anti-kickback guard	117524
Hedge trimmer blade strip	117541 (L 51) 117542 (L 63) 117543 (L 75)
Seal	71306

6.4. TIGHTENING BLADES



Caution

Always disconnect the hedge trimmer from the battery before working on the blades.



Caution



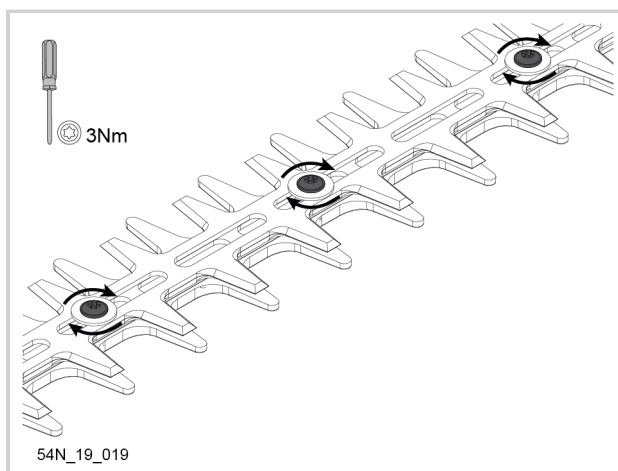
Wear protective gloves when working on the blades.
Danger of accidental cuts.

The tightening of the blades is very important. This directly influences consumption (battery life).

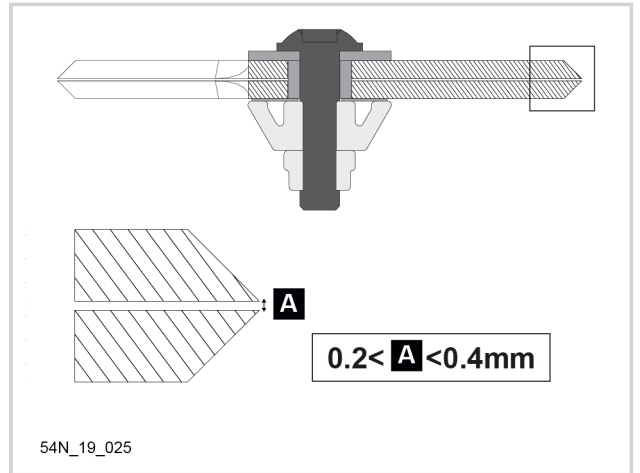
1. Tighten the screw with a torque screwdriver.

Note

Tightening torque: 3 N.m.



2. Check the position of the blades, using a set of spacing shims.



6.5. CLEANING THE BLADES



Caution

Always disconnect the hedge trimmer from the battery before working on the blades.

Important

Energy consumption varies depending on the state of cleanliness of the tool.

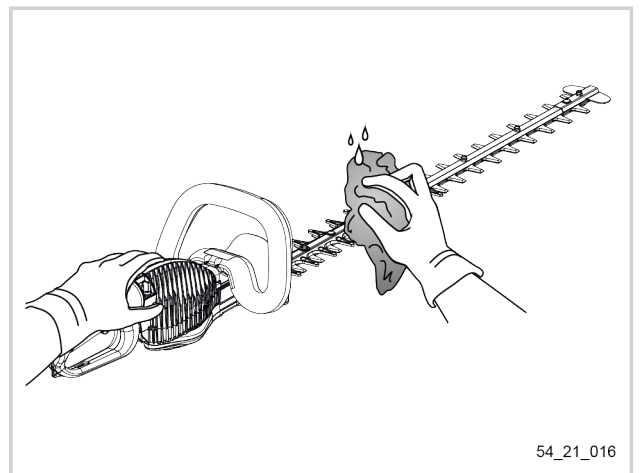


Caution

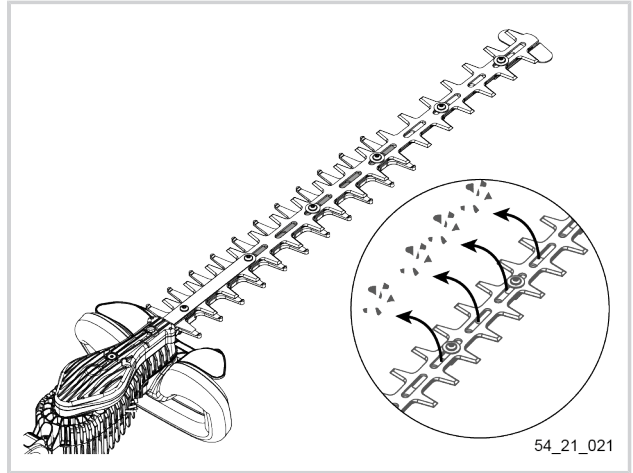
Wear protective gloves when working on the blades.

Danger of accidental cuts.

1. Clean the blades with a damp cloth.



2. Check that there is no residue between the blades.

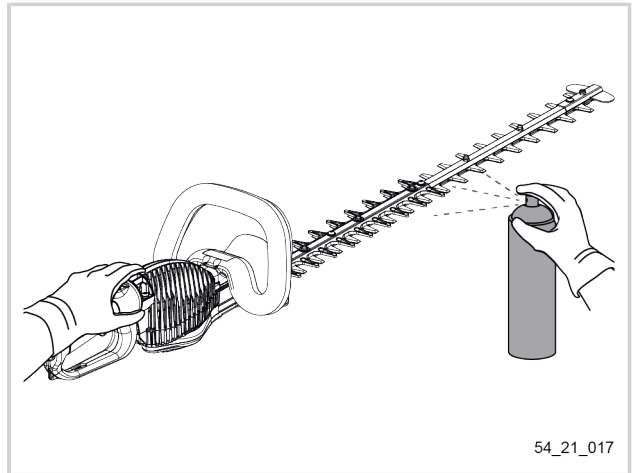


3. Clean and lubricate the blades with the cleaning/lubricating spray recommended by PELENC (reference: 121633).



Warning

Ⓢ Never use solvents (trichloroethylene, white spirit, petrol, etc.) to clean the tool.



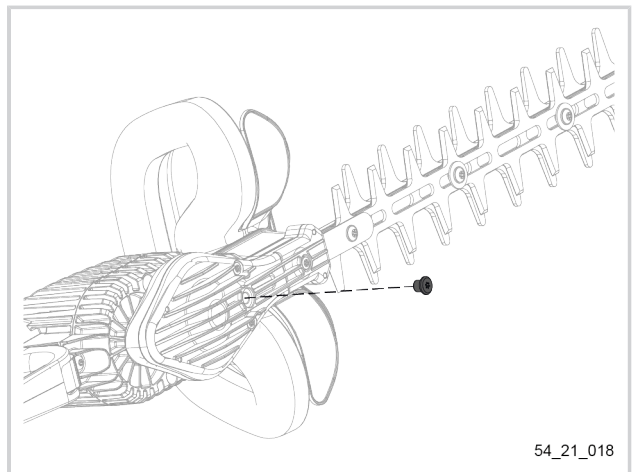
6.6. GREASING THE HEDGE TRIMMER BLADE REDUCER



Caution

Always disconnect the hedge trimmer from the battery before working on the blades.

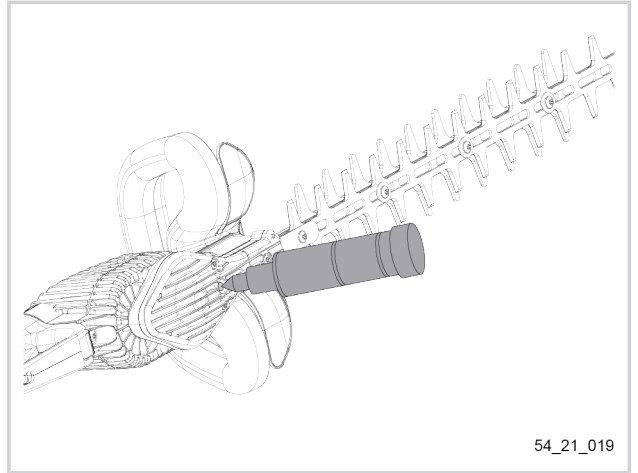
1. Loosen the screw which gives access to the lubrication area of the hedge trimmer blade reducer using a T25 screwdriver.
2. Remove the screw.



3. Grease the reducer with the grease gun (20g grease maximum) recommended by PELLENC (reference: 74588 (supplied with the hedge trimmer blade or reference: 115174).
4. Refit the screw.
5. Tighten to torque using a T25 torque screwdriver.

Note

Tightening torque: 3 N.m.



54_21_019

Note

The hedge trimmer blade reducer must be greased after the first 25 hours of operation and every 50 hours thereafter.

6.7. SHARPENING THE BLADES



Caution

Always disconnect the hedge trimmer from the battery before working on the blades.



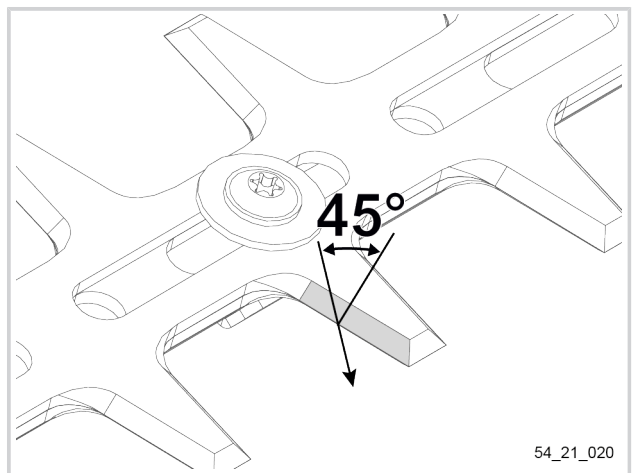
Caution

Wear protective gloves when working on the blades.

Danger of accidental cuts.

Sharpen the blades a little but often. Regularly check how sharp the blades are for the first few hours to determine the required frequency of sharpening.

Ensure the blade is at a 45° angle during sharpening.



54_21_020

7. INCIDENTS AND TROUBLESHOOTING

Important

For any problems concerning the battery, refer to the manual that comes with the battery. **PELENC recommends contacting an authorised PELENC dealer in all cases of breakdown.**

7.1. TROUBLESHOOTING SYMPTOMS OF THE HELION 3 ELECTRIC HEDGE TRIMMER

Symptom	Check	Probable cause	Solutions
The hedge trimmer does not work	The LEDs are off	Battery discharged	Charge the battery
		Battery defective	Change the battery
		Wrong connection with the battery	Check the power cable
	Check the connections (tool and battery) Clean them with compressed air if necessary. Check that all switches are active. Repeat the operation if necessary.		
	The LEDs are lit	Safety at start-up/ Standby (Delay > 5min)	Double-click the trigger of the rear handle and pull the trigger of the front handle.
		The On/Off switches are defective	Unplug the power cable and plug in again. Restart the battery
		Cutting blade blocked	Clean and lubricate the blade
		Internal loose connection	Contact your authorised PELENC dealer
LEDs flashing inside/outside	Safety when switching on	Release the front handle	
The hedge trimmer works intermittently	The LEDs light-up intermittently	Damaged power cords	Change the power cable
	The LEDs are always on	Blade is clogged	Clean and lubricate the blade
		The On/Off switches are defective	Contact your authorised PELENC dealer

Tool protection

Symptom	Check	Probable cause	Solutions
The hedge trimmer shuts-down during operation	LEDs flash before shut-down 1 long beep and 4 short beeps from battery before shutting down	Thermal protection of the tool	Clean and lubricate the blade
			Allow the tool to cool down
	The LEDs are lit before shut-down	Internal loose connection	Contact your authorised PELENC dealer
			Over-voltage
		Empty battery	Charge the battery

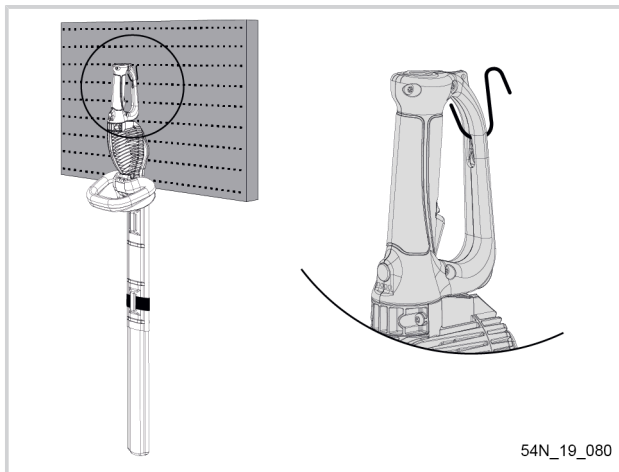


Caution

Always disconnect the hedge trimmer from the battery before working on the blades.

8. STORAGE AND TRANSPORT

8.1. STORAGE



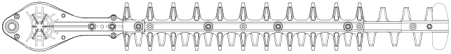

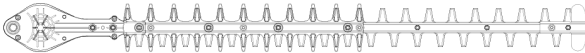
Fit the blade guard over the blade during transport and storage.

8.2. OFF-SEASON STORAGE

- Always clean the tool before storing it.
- Always store the tool with a greased blade.
- Always store the tool with a greased blade.
- Always store the tool reducer properly greased.
- Fit the blade guard over the blade during transport and storage.

9. ACCESSORIES AND CONSUMABLES

9.1. PRESENTATION OF BLADE TYPES

L51	Reference: 56205	 54N_19_035
L63	Reference: 56206	 54N_19_037
L75	Reference: 56207	 54N_19_038

9.1.1. ACCESSORIES PROVIDED WITH EACH BLADE

- Protective sleeve
- Mounting instructions
- The blade's certificate of conformity

9.2. ACCESSORIES

Name	reference
10,3 m extension cable	100994
Battery adapter cord	57239
Power cord support clips	101056

9.3. CONSUMABLES

Name	reference
PELLENC 400g Grease cartridge	115174
PELLENC cleaning spray	121633
Grease gun	68518

10. WARRANTIES

10.1. GENERAL WARRANTIES

10.1.1. STATUTORY WARRANTY

10.1.1.1. LATENT DEFECTS WARRANTY

Apart from the commercial warranty provided for under Article II, Article 1641 of the Civil Code provides that "the seller is bound to a warranty on account of latent defects of the object sold which render it unfit for the use for which it was intended, or which would impair said use to the extent that the buyer would not have acquired it, or would only have given a lesser price for it, had he known of them".

Article 1648 of the Civil Code "The action resulting from latent defects must be brought by the purchaser within two years after the discovery of the defect."

10.1.1.2. LEGAL WARRANTY OF CONFORMITY

Article L.217-4 of the French Consumer Code "The seller delivers goods in conformity with the contract and is liable for defects of conformity existing upon delivery".

The seller is also liable for any lack of compliance resulting from the packaging, assembly or installation instructions whenever its contractual liability is engaged in this regard or the latter are carried out under its responsibility.

Article L.217-5 of the French Consumer Code "Goods are compliant with the contract":

1. Where they are fit for the purpose normally expected of similar goods and, where applicable:
 - If it matches the description given by the seller and possesses the qualities that were presented to the purchaser in the form of a sample or model;
 - If it possesses the qualities that a purchaser can reasonably expect given the public statements made by the seller, the producer or its representative, especially in advertising or labelling;
2. Or, if it has the characteristics defined by mutual agreement of the parties or is fit for any particular purpose that the buyer made known to the seller and that the latter accepted.

Article L.217-12 of the Consumer Code "legal action resulting from lack of conformity lapses two years after delivery of the goods".

10.1.2. COMMERCIAL WARRANTYPELLENC

10.1.2.1. CONTENT

10.1.2.1.1. GENERAL INFORMATION

In addition to legal warranties, client users benefit from the commercial warranty on products PELLENC covering the exchange and replacement of parts recognised as being out of order, due to machining defects, assembly defects or material defects, whatever the cause.

The warranty is fully integral to the product sold by PELLENC.

10.1.2.1.2. SPARE PARTS

The commercial warranty also covers original PELLENC spare parts, excluding labour and to the exclusion of certain parts of each product provided at delivery.

10.1.2.2. DURATION OF THE WARRANTY

10.1.2.2.1. GENERAL INFORMATION

PELLENC Products are guaranteed under the commercial warranty as from delivery to the customer for a period of two (2) years for products connected to a PELLENC battery, and for a period of one (1) year for other PELLENC products.

10.1.2.2.2. SPARE PARTS

PELLENC Replacement parts replaced under the product warranty are guaranteed under the commercial warranty as from delivery of the PELLENC product to the customer user for a period of two (2) years for products connected to a PELLENC battery, and for a period of one (1) year for other PELLENC products.

In the case of products connected to a PELLENC battery, parts that are replaced under the product warranty after the 12th month of use, are covered for a period of one (1) year.

10.1.2.2.3. WARRANTY EXCLUSIONS

Excluded from the commercial warranty are products that have been subject to abnormal use, or were used under conditions and for purposes other than those for which they were manufactured, especially in the case of non-compliance with conditions stipulated in this operating instructions manual.

It does not apply in case of shock, fall, neglect, lack of supervision or maintenance or in case of transformation of the product. Also excluded from the warranty are products that have been subject to tampering, alteration or modification by the customer user.

Wear parts and/or consumables cannot be covered by the warranty.

10.1.2.3. IMPLEMENTATION OF THE COMMERCIAL WARRANTY

10.1.2.3.1. PRODUCT COMMISSIONING AND COMMISSIONING DECLARATION

The DISTRIBUTOR undertakes to complete the computer commissioning declaration form, no later than eight days after the delivery of the property to the user customer, in order to activate the latter on the www.pellenc.com website under "warranties and training" in the "extranet" menu, using the identifier previously provided to them by PELLENC.

Failing that, commissioning declaration will not be effective and implementation of the commercial warranty PELLENC will not occur. As a consequence thereof, the DISTRIBUTOR must ensure the financial burden of its intervention under the warranty without being able to pass on the cost to the client user.

The DISTRIBUTOR shall also undertake to complete the warranty card or the certificate of warranty and commissioning for self-propelled equipment provided with the product after having the client user sign and date it.

10.1.3. PAID AFTER-SALES SERVICE

10.1.3.1. GENERAL INFORMATION

Malfunctions, breakdowns, breakages resulting from misuse, neglect or improper maintenance by the client user as well as malfunctions resulting from normal wear of the product are subject to the payment of after-sales service, even during the period of the legal and commercial warranty. After-sales service repairs that fall outside of the legal and commercial warranty also include maintenance, adjustments, diagnostics of all types, and cleaning without the present list being exhaustive.

10.1.3.2. WEAR PARTS AND CONSUMABLES

Wear parts and consumables also fall within the after-sales service.

10.1.3.3. SPARE PARTS

Paid after-sales service also covers original PELLENC spare parts, excluding labour and outside the legal and commercial warranty period.

In case of replacement of original PELLENC spare parts in the context of after-sales service, said latter are covered by a warranty of one year as from the installation date.

11. COMPLIANCE STATEMENTS

11.1. STATEMENT  OF COMPLIANCE: HELION 3

MANUFACTURER/ENTITY AUTHORISED TO COMPILE THE TECHNICAL FILE	PELENC
ADDRESS	Quartier Notre-Dame - 84120 Pertuis (France)

We hereby declare that the machine referred to below as:

GENERIC DENOMINATION	ELECTRIC HEDGE TRIMMER		
FUNCTION	ELECTRIC BATTERY POWERED HEDGE TRIMMER INTENDED FOR TRIMMING BUSHES / HEDGES		
COMMERCIAL NAME	HELION 3		
TYPE	HELION 3		
MODEL	HELION 3		
SERIAL NO.	54U00001 - 54U49999	54V00001 - 54V49999	54W00001 - 54W49999

Complies with the relevant provisions of the machinery directive (2006/42/EC).

Complies with the provisions of the following European directives:

- 2014/30/EU EMC Directive; 2011/65/EU ROHS Directive; 1907/2006 REACH Regulation; 2012/19/EU WEEE Directive.

The following harmonized European standards were used:

- EN 62841-1: 2016 ; EN 62841-4-2: 2019 ; EN 60529 :1991 + A2: 2013 + AC: 2019; EN 55014-1: 2017; EN 55014-2: 2015

Sound power level:

- Measured sound power level L_{WAm} : 92 dB(A)
- Guaranteed sound power level L_{WAg} : 93 dB(A)

The measurements of the measured sound power level and the guaranteed sound power level were carried out by the notified body SGS-CSTC Shanghai, 588 West Jindu Road, Xinqiao, Songjiang, 201612 Shanghai, China following a procedure in accordance with Directive 2000/14/EC Annex V. The certificates have the numbers : SHES210901802471.

SIGNED IN PERTUIS, DATED 18/05/2021
JEAN-MARC GIALIS
CHIEF EXECUTIVE OFFICER



11.2. UK DECLARATION OF CONFORMITY ^{UK}CA : HELION 3

MANUFACTURER / ENTITY AUTHORIZED TO COMPILE THE TECHNICAL FILE	PELENC
ADDRESS	Quartier Notre-Dame - 84120 Pertuis (France)

We hereby declare that the machine referred to below as:

GENERIC DENOMINATION	ELECTRIC HEDGE-TRIMMER		
FUNCTION	ELECTRIC BATTERY POWERED HEDGE-TRIMMER INTENDED FOR TRIMMING BUSHES / HEDGES		
COMMERCIAL NAME	HELION 3		
TYPE	HELION 3		
MODEL	HELION 3		
SERIAL No.	54U00001 - 54U49999	54V00001 - 54V49999	54W00001 - 54W49999

Complies with the relevant provisions of the Supply of Machinery (Safety) Regulations 2008.

Complies with the following other directives and / or relevant provisions :

- Electromagnetic Compatibility Regulations 2016 ; the Restriction of the Use of Certain Hazardous Substances in Electrical and Electronic Equipment Regulations 2012 ; 1907/2006 REACH Regulations ; the Waste Electrical and Electronic Equipment Regulations 2013

The following harmonised european standards were used:

- BS EN 62841-1 : 2016 ; BS EN 62841-4-2 : 2017 ; BS EN 60529:1992+A2:2013 ; BS EN 55014-1 : 2017 ; BS EN 55014-2 : 2015

Sound Power Level :

- Measured sound power level L_{WAm} : 92 dB (A)
- Guaranteed sound power level L_{WA9} : 93 dB (A)

The measured sound level and the guaranteed sound power level were measured by the body SGS-CSTC Shanghai, 588 West Jindu Road, Xinqiao, Songjiang, 201612 Shanghai, China according to a procedure compliant with Directive 2000/14/EC Annex V. The report is identified by the following number : SHES210901802471.

SIGNED IN PERTUIS, DATED 24/06/2021
JEAN-MARC GIALIS
CEO



PELLENC

   www.pellenc.com

PELLENC
Quartier Notre Dame - 84120 Pertuis (France)

